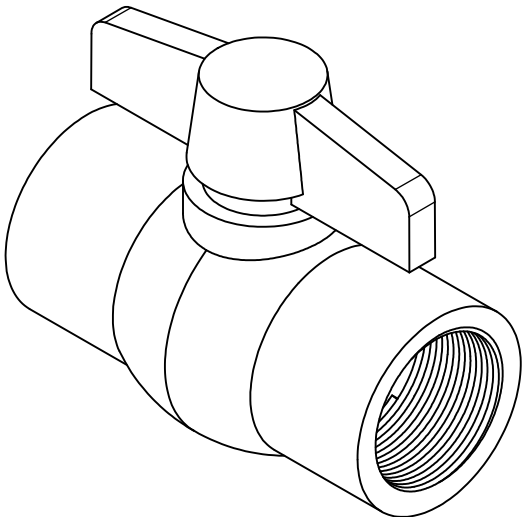
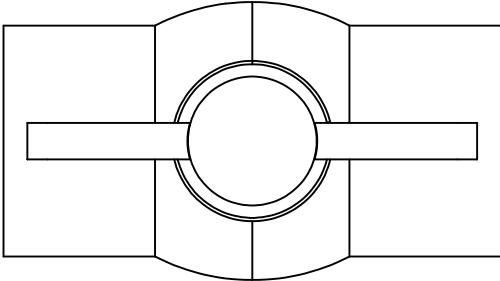
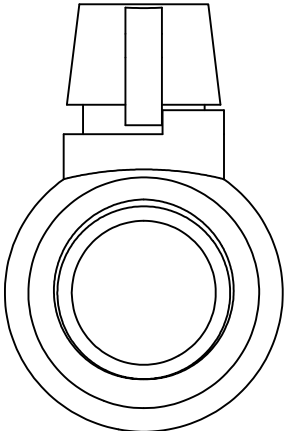
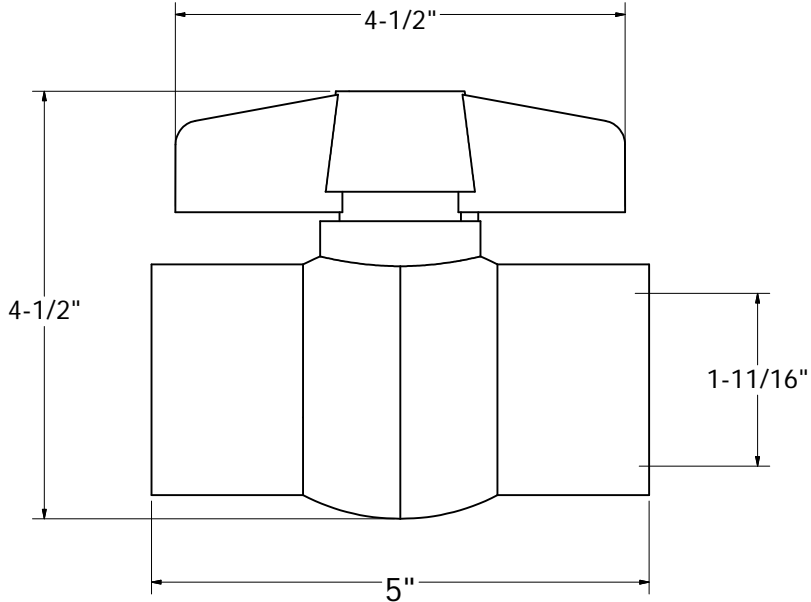



# PVC BALL VALVES THREADED ENDS



- ONE PIECE BODY CONSTRUCTION
- STANDARD PORT
- EPDM SEATS AND O - RINGS
- WORKING PRESSURE 150 PSI AT 73° F
- QUARTER TURN OPERATION
- NOT FOR COMPRESSED AIR
- IDEAL FOR SWIMMING POOLS, IRRIGATION AND WATER SUPPLY USES
- SOLVENT ENDS COMPLY WITH ASTM D 2466
- THREADED ENDS COMPLY WITH ANSI B2.1
- LARGE FLOW OPENING



 <p><b>JONES STEPHENS</b> We Got It-</p>	PHONE NUMBER <b>1-800-355-6637</b>	PART NO. <b>B91150</b>	
	FAX NUMBER <b>1-800-462-6991</b>		
	SCALE 1 : 1	DATE 6/19/14	SIZE <b>1-1/2"</b>
	SHEET <b>1 OF 1</b>		CTN/MSTR <b>1/40</b>
DRAWN BY ASHLEY KRALOVEC			