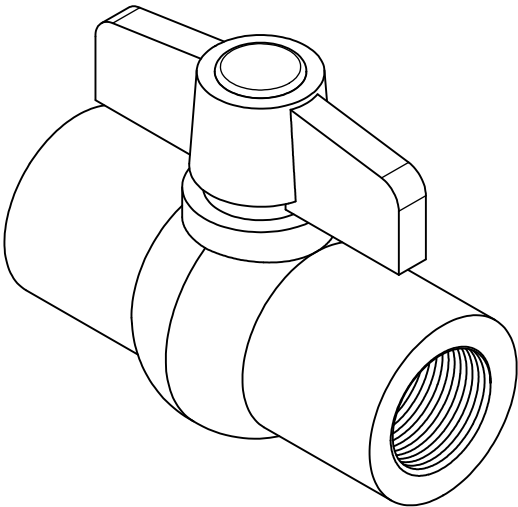
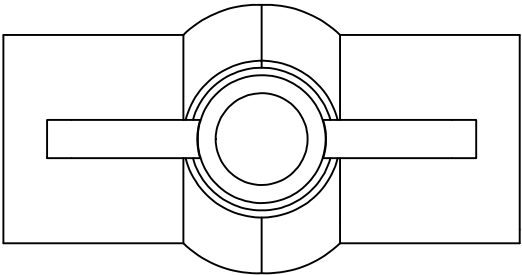
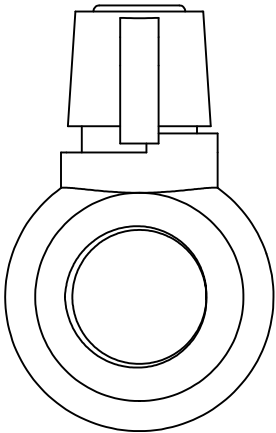
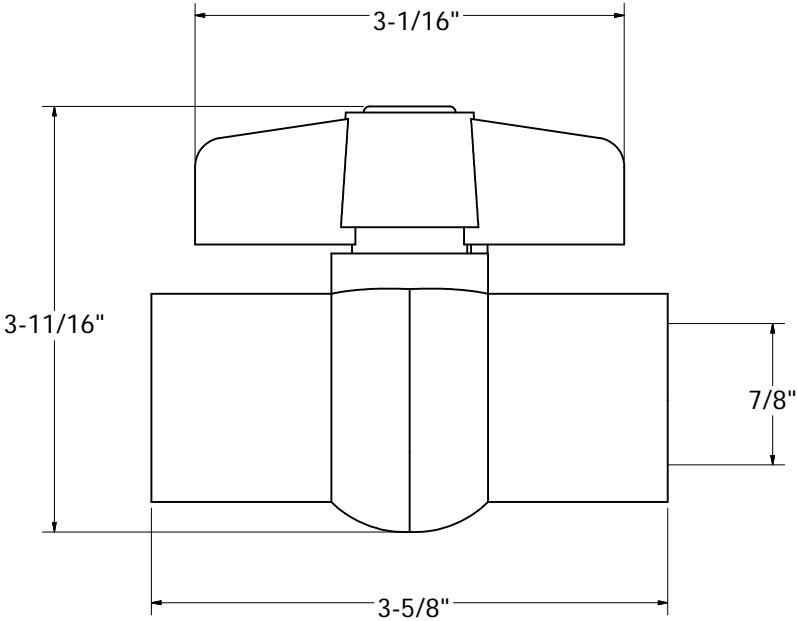


PVC BALL VALVES THREADED ENDS



- ONE PIECE BODY CONSTRUCTION
- STANDARD PORT
- EPDM SEATS AND O - RINGS
- WORKING PRESSURE 150 PSI AT 73° F
- QUARTER TURN OPERATION
- NOT FOR COMPRESSED AIR
- IDEAL FOR SWIMMING POOLS, IRRIGATION AND WATER SUPPLY USES
- SOLVENT ENDS COMPLY WITH ASTM D 2466
- THREADED ENDS COMPLY WITH ANSI B2.1
- LARGE FLOW OPENING



	PHONE NUMBER 1-800-355-6637	PART NO.	B91075	
	FAX NUMBER 1-800-462-6991			
	SCALE 1.5 : 1	DATE 5-31-2013	SIZE	3/4" IPS
	SHEET 1 OF 1	DRAWN BY ASHLEY KRALOVEC	CTN/MSTR	25/100