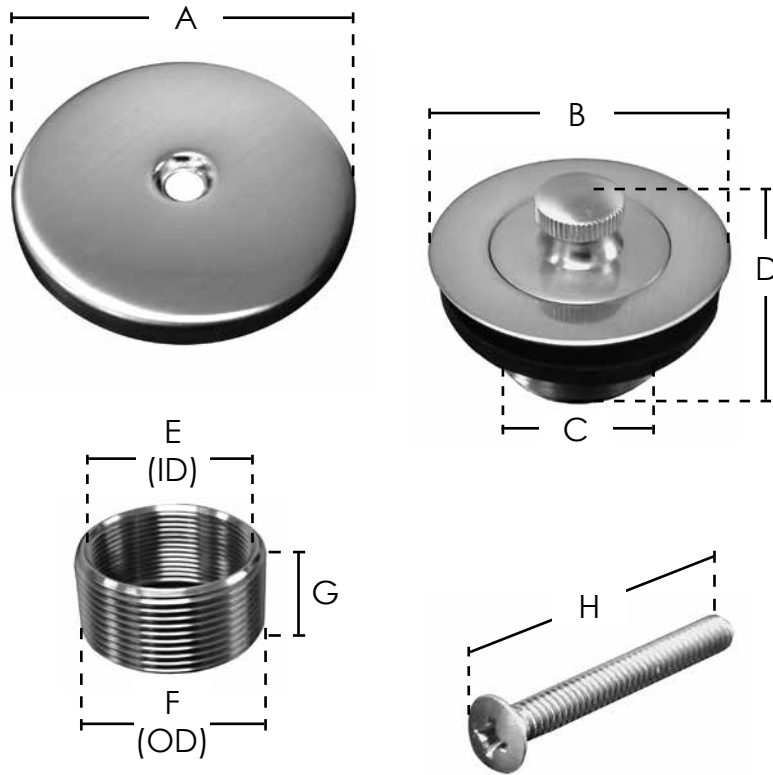


# SPECIFICATION SUBMITTAL SHEET

JONES STEPHENS CORPORATION

## DECORATIVE LIFT & TURN CONVERSION KIT



### features and benefits:

- 1-Hole faceplate
- Clamshell packaging
- Aluminum adapter bar
- 1-3/8" drain with bushing
- Includes drain, bushing, face plate and screw
- Blister card packaging

This product and others like it can be found in the Jones Stephens catalog. Call today to order your catalog or download it from our website: [www.jonesstephens.com](http://www.jonesstephens.com)

PART NO.	A	B	C	D	E	F	G	H
<input type="checkbox"/> B51019	3-1/8"	2-3/4"	1-1/2"	1-3/4"	1-5/8"	1-3/4"	3/4"	2"
<input type="checkbox"/> B5160AP	3-1/8"	2-3/4"	1-1/2"	1-3/4"	1-5/8"	1-3/4"	3/4"	2"
<input type="checkbox"/> B5160BB	3-1/8"	2-3/4"	1-1/2"	1-3/4"	1-5/8"	1-3/4"	3/4"	2"
<input type="checkbox"/> B5160BN	3-1/8"	2-3/4"	1-1/2"	1-3/4"	1-5/8"	1-3/4"	3/4"	2"
<input type="checkbox"/> B5160BS	3-1/8"	2-3/4"	1-1/2"	1-3/4"	1-5/8"	1-3/4"	3/4"	2"
<input type="checkbox"/> B5160RB	3-1/8"	2-3/4"	1-1/2"	1-3/4"	1-5/8"	1-3/4"	3/4"	2"
<input type="checkbox"/> B5160WB	3-1/8"	2-3/4"	1-1/2"	1-3/4"	1-5/8"	1-3/4"	3/4"	2"
<input type="checkbox"/> B5160NP	3-1/8"	2-3/4"	1-1/2"	1-3/4"	1-5/8"	1-3/4"	3/4"	2"
<input type="checkbox"/> B5160PN	3-1/8"	2-3/4"	1-1/2"	1-3/4"	1-5/8"	1-3/4"	3/4"	2"
<input type="checkbox"/> B5160PS	3-1/8"	2-3/4"	1-1/2"	1-3/4"	1-5/8"	1-3/4"	3/4"	2"

Jones Stephens

3249 Moody Parkway • Moody, Alabama 35004

Toll Free Phone: 1-800-355-6637 • Toll Free Fax: 1-800-462-6991

[www.jonesstephens.com](http://www.jonesstephens.com)