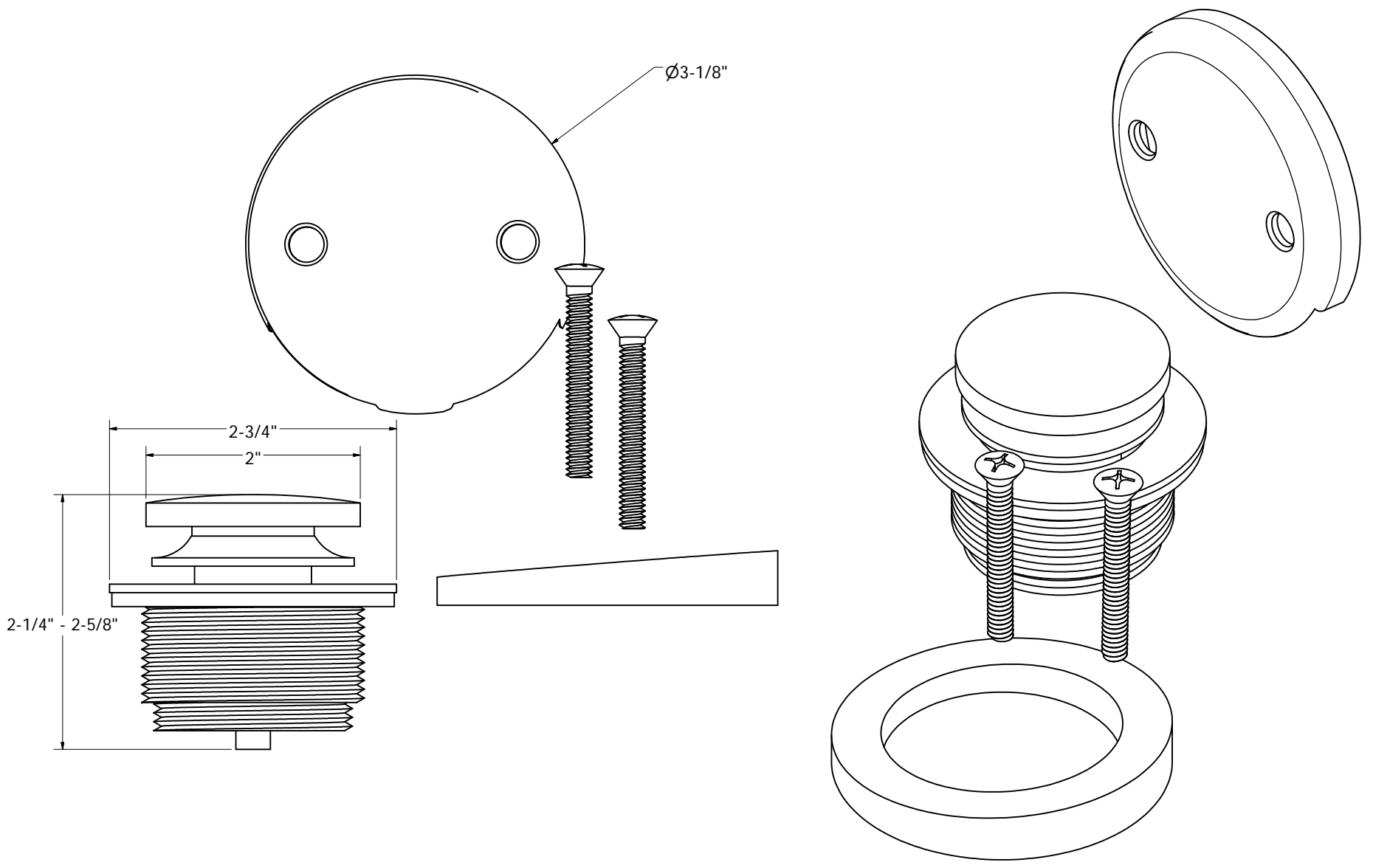


# TOE TOUCH CONVERSION KIT



PHONE NUMBER  
1-800-355-6637  
FAX NUMBER  
1-800-462-6991  
SCALE  
1.5 : 1  
DATE  
12-07-12  
SHEET  
1 OF 1  
DRAWN BY  
ASHLEY KRALOVEC

PART NO.	B5156NP	B5156PS	B5156RB	B5156BN
# HOLES	2	2	2	2
FINISH	PEARL NICKEL	POLISHED STAINLESS	OIL RUBBED BRONZE	OLD WORLD BRONZE