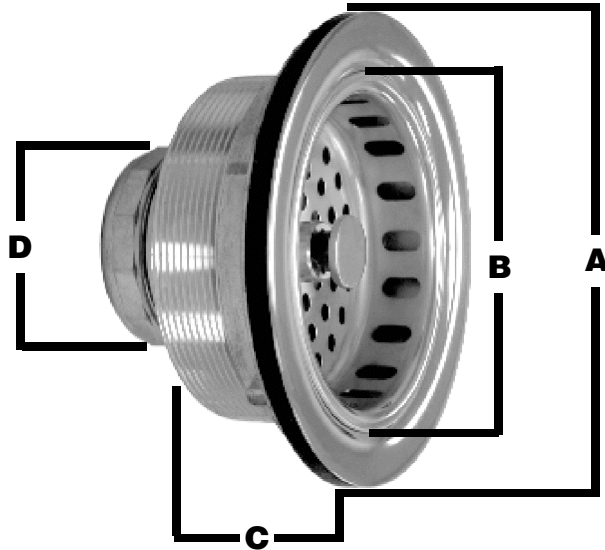


SPECIFICATION SUBMITTAL SHEET

j o n e s s t e p h e n s c o r p o r a t i o n

POLISHED BRASS BASKET STRAINER

PART NO. B02-008



features and benefits:

- All metal construction with polished brass finish

This product and others like it can be found in the Jones Stephens catalog. Call today to order your catalog or download it from our website: www.plumbest.com

PART NO.	DESCRIPTION	A	B	C	D
□ B02-008	Polished brass	4 ³ / ₈ "	3 ¹ / ₄ "	1 ¹ / ₂ "	1 ⁷ / ₈ "

jones stephens corporation
 3249 moody parkway • moody, alabama 35004
 toll free phone: 1-800-355-6637 • toll free fax: 1-800-462-6991
www.plumbest.com