

# SPECIFICATION SUBMITTAL SHEET

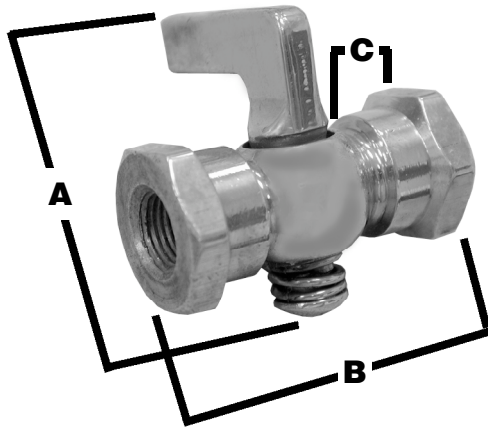
j o n e s   s t e p h e n s   c o r p o r a t i o n

## SATIN BRASS AIR COCKS

FEMALE X FEMALE LEVER HANDLE HEX SHOULDER

**PART NO.(S):**

**A11-017, A11-007**



features and benefits:

This product and others like it can be found in the Jones Stephens catalog. Call today to order your catalog or download it from our website: [www.plumbest.com](http://www.plumbest.com)

PART NO.	DESCRIPTION	A	B	C	D
<input type="checkbox"/> A11-017	1/8" x 1/8"	1 1/2"	1 5/8"	1 3/16"	
<input type="checkbox"/> A11-007	1/4" x 1/4"	1 1/2"	1 11/16"	1 3/16"	

jones stephens corporation  
3249 moody parkway • moody, alabama 35004  
toll free phone: 1-800-355-6637 • toll free fax: 1-800-462-6991  
[www.plumbest.com](http://www.plumbest.com)