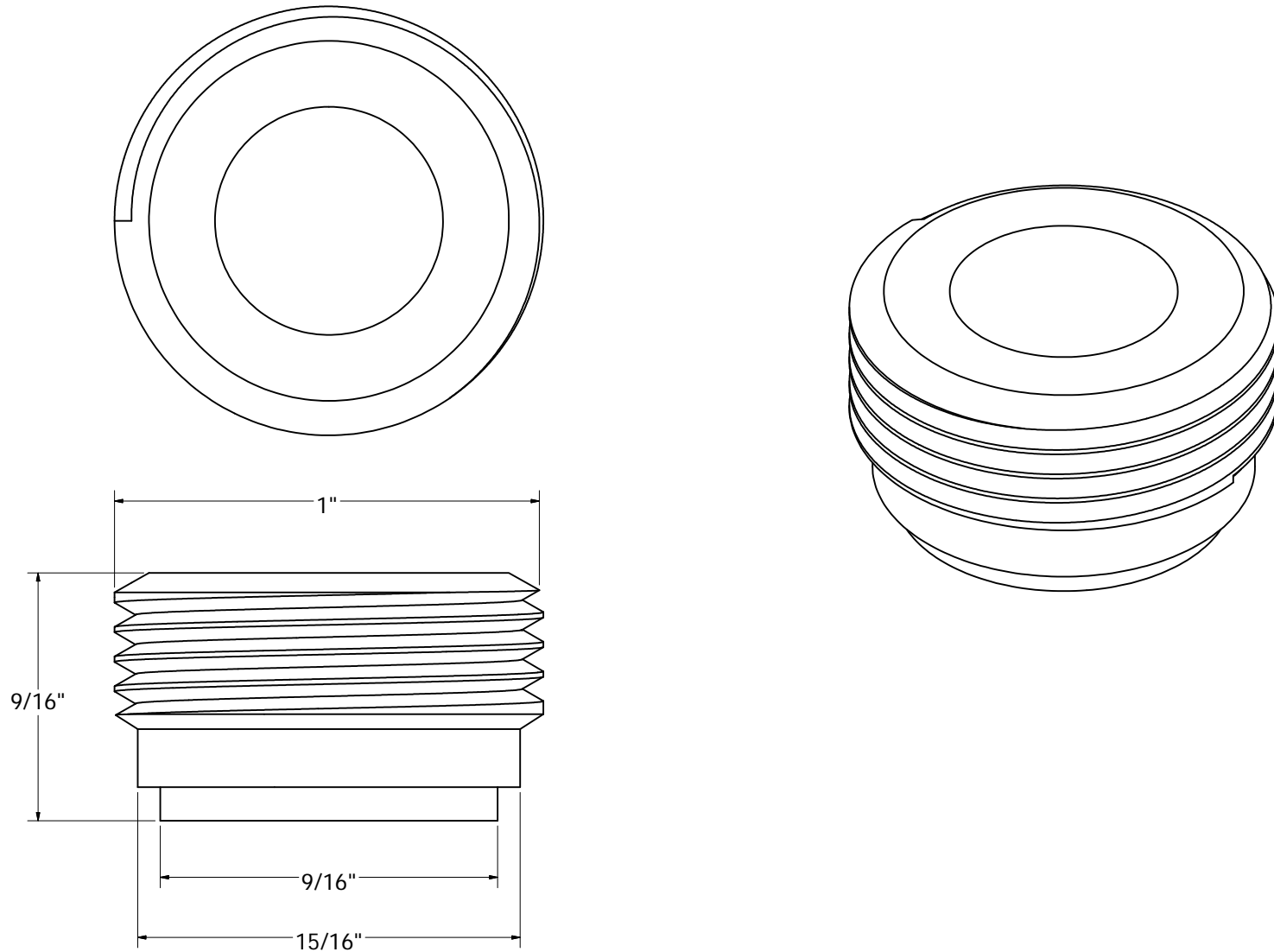


# FAUCET TO GARDEN HOSE ADAPTERS



PHONE NUMBER  
**1-800-355-6637**  
 FAX NUMBER  
**1-800-462-6991**  
 SCALE 5 : 1      DATE 2-04-13  
 SHEET  
**1 OF 1**  
 DRAWN BY  
**ASHLEY KRALOVEC**

<b>PART NO.</b>	A01040
<b>DESCRIPTION</b>	DUAL THREADS 15/16" - 27 MALE X 55/64" - 27 FEMALE X 3/4" MGH
<b>MATERIAL</b>	1/600