

PART NO. 1559902

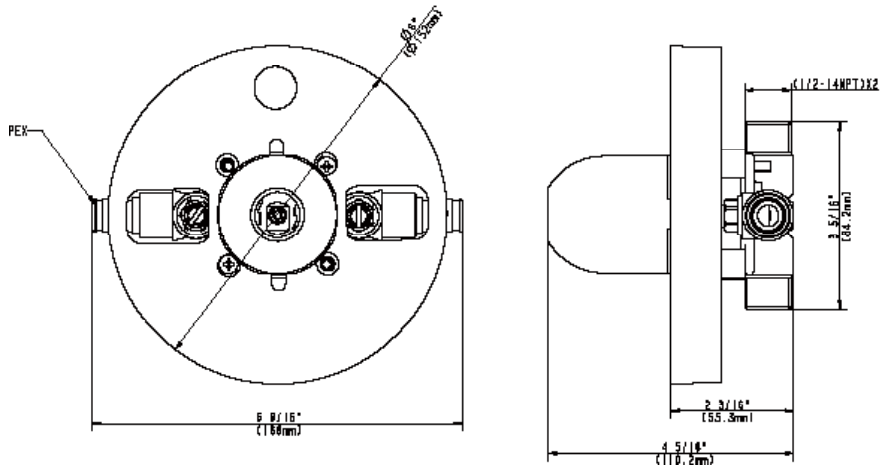
TUB/SHOWER VALVE, ROUGH-IN F1960 EXPANSION PEX



- Universal valve accepts all Jones Stephens trim kits for tub/shower and shower only installations
- Bath tub port can be plugged for shower only installations
- Integral stop valves on the hot and cold supply lines
- Includes plaster ring to assist in installation and to protect the valve during construction
- Includes a ceramic cartridge for long life
- Boxed

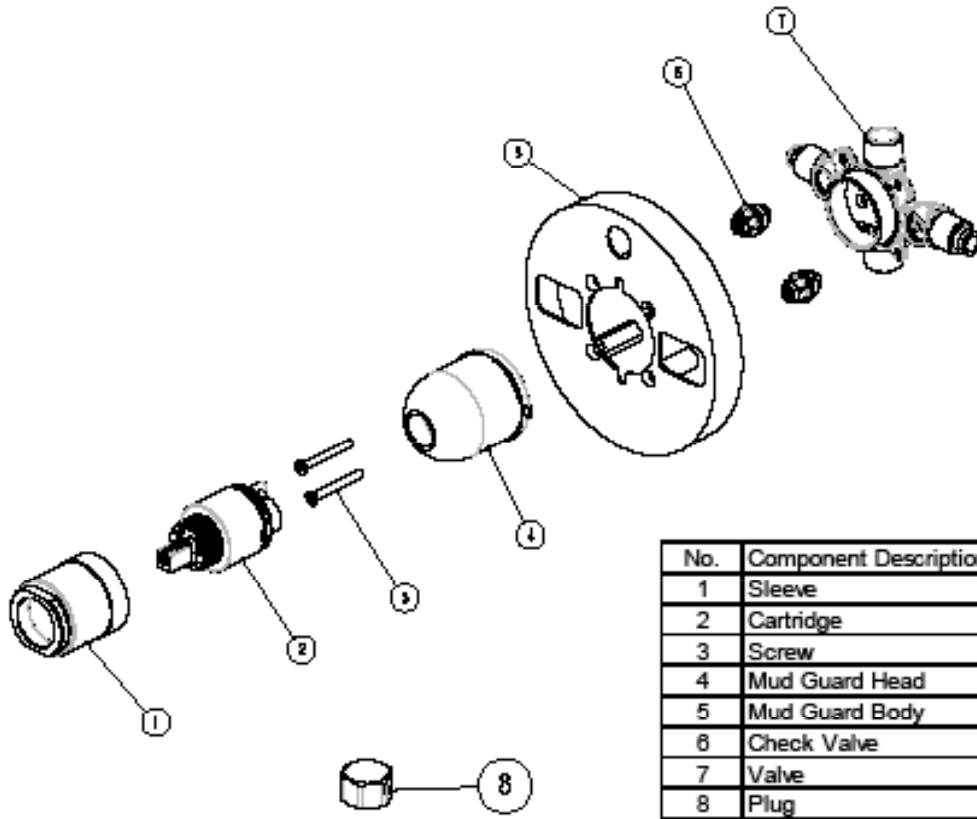
Meets or exceeds the following:

- ANSI/ASME A112.18.1M
- ANSI/NSF 61-Sec.9
- IAPMO/CUPC



PART NO. 1559902

TUB/SOWER VALVE, ROUGH-IN F1960 EXPANSION PEX



No.	Component Description
1	Sleeve
2	Cartridge
3	Screw
4	Mud Guard Head
5	Mud Guard Body
6	Check Valve
7	Valve
8	Plug