

**PART NO. 1559270 - CHROME PLATED**  
**PART NO. 1559273 - STAINLESS STEEL**

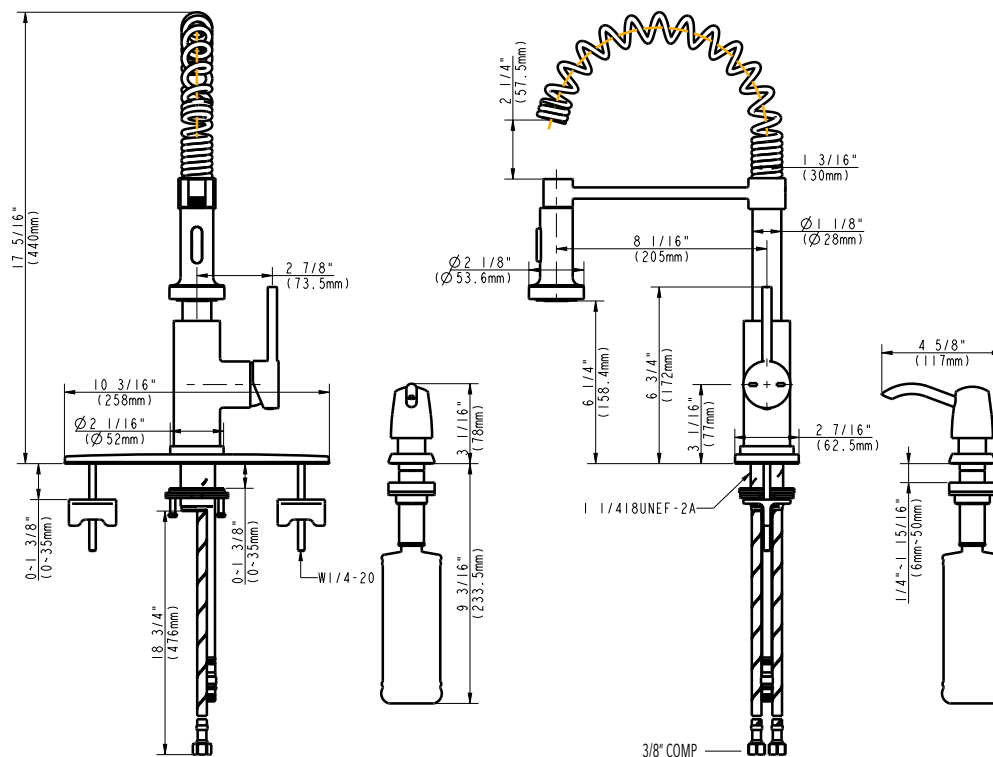
**SPRING NECK PULL-DOWN KITCHEN FAUCET**



- Ceramic cartridge
- Use with baseplate for 8" 3-hole installation
- Use without base plate for 1-hole installation
- Max Flow Rate 1.8 GPM (6.8 LPM) at 60PSI (ASME.A112.18.1M)
- Integral stainless steel braided supply lines with 3/8" COMP connection
- Includes matching soap/lotion dispenser
- Boxed
- Limited lifetime warranty

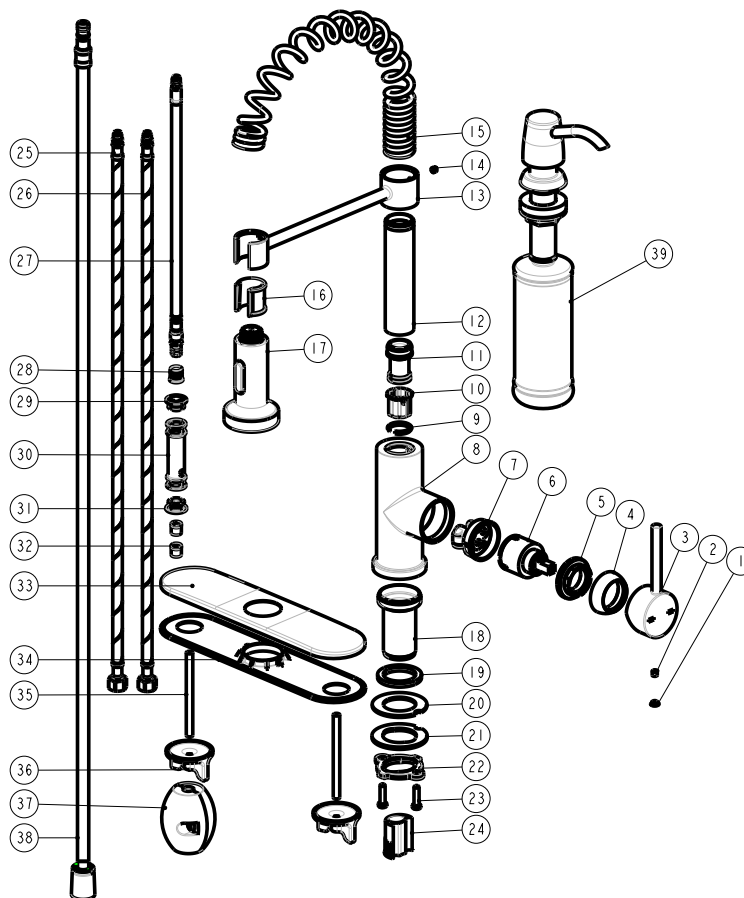
**Meets or exceeds the following:**

- ANSI/ASME A112.18.1M
- ANSI/NSF 61-Sec.9
- IAPMO/CUPC



**PART NO. 1559270 - CHROME PLATED**  
**PART NO. 1559273 - STAINLESS STEEL**

**SPRING NECK PULL-DOWN KITCHEN FAUCET**



No.	Component Description
1	Index Button
2	Screw
3	Handle
4	Dome Nut
5	Cartridge Cap
6	Cartridge
7	Cartridge Base
8	Faucet Body
9	C-chip
10	Connector
11	Connector
12	Sleeve
13	Holder
14	Screw
15	Spring
16	C-chip
17	Spray Head
18	Sleeve
19	Gasket
20	Gasket
21	Gasket
22	Fixing Nut
23	Screw
24	Fixing Cap
25	24" Stainless Steel Supply Line
26	24" Stainless Steel Supply Line
27	Inlet Tube
28	Protect Cap
29	Fixing Ring
30	Connector
31	Fixing Ring
32	Check valve
33	Deckplate
34	Bottom Plate
35	Stud
36	Nut
37	Counter Weight
38	Spray Hose
39	Spray Head