

**PART NO. 1559250 - CHROME PLATED**  
**PART NO. 1559251 - BRUSHED NICKEL**

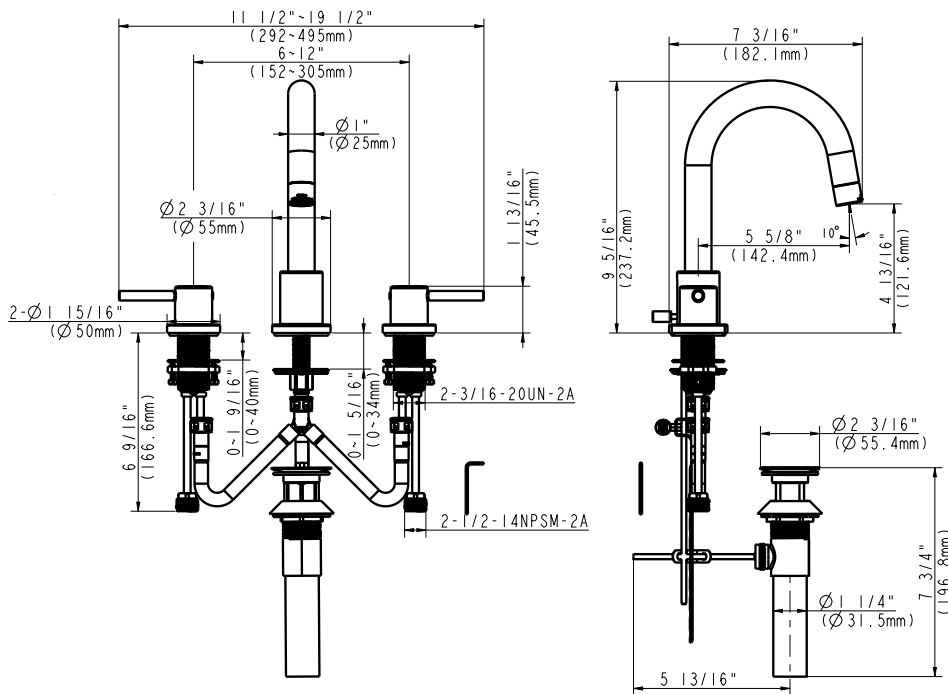
**TWO HANDLE WIDE SPREAD BATHROOM FAUCET WITH POP-UP**



- Three mounting holes
- Metal threaded shafts
- Ceramic cartridge
- Matching pop-up
- Max Flow Rate 1.2 GPM (4.5 LPM) at 60PSI (ASME.A112.18.1M)
- Boxed
- Limited lifetime warranty

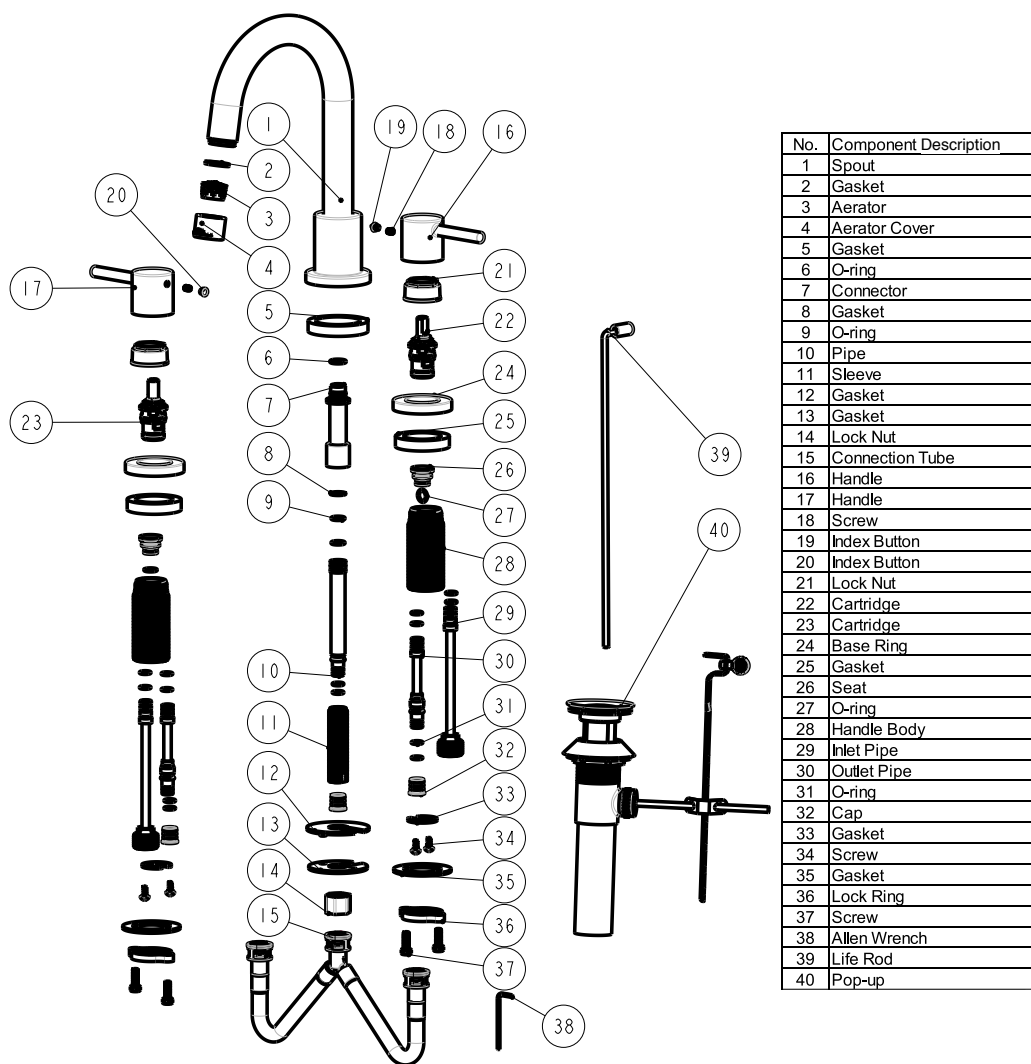
**Meets or exceeds the following:**

- ANSI/ASME A112.18.1M
- ANSI/NSF 61-Sec.9
- IAPMO/CUPC



**PART NO. 1559250 - CHROME PLATED**  
**PART NO. 1559251 - BRUSHED NICKEL**

**TWO HANDLE WIDE SPREAD BATHROOM FAUCET WITH POP-UP**



No.	Component Description
1	Spout
2	Gasket
3	Aerator
4	Aerator Cover
5	Gasket
6	O-ring
7	Connector
8	Gasket
9	O-ring
10	Pipe
11	Sleeve
12	Gasket
13	Gasket
14	Lock Nut
15	Connection Tube
16	Handle
17	Handle
18	Screw
19	Index Button
20	Index Button
21	Lock Nut
22	Cartridge
23	Cartridge
24	Base Ring
25	Gasket
26	Seat
27	O-ring
28	Handle Body
29	Inlet Pipe
30	Outlet Pipe
31	O-ring
32	Cap
33	Gasket
34	Screw
35	Gasket
36	Lock Ring
37	Screw
38	Allen Wrench
39	Life Rod
40	Pop-up