

PART NO. 1559250 - CHROME PLATED
PART NO. 1559251 - BRUSHED NICKEL

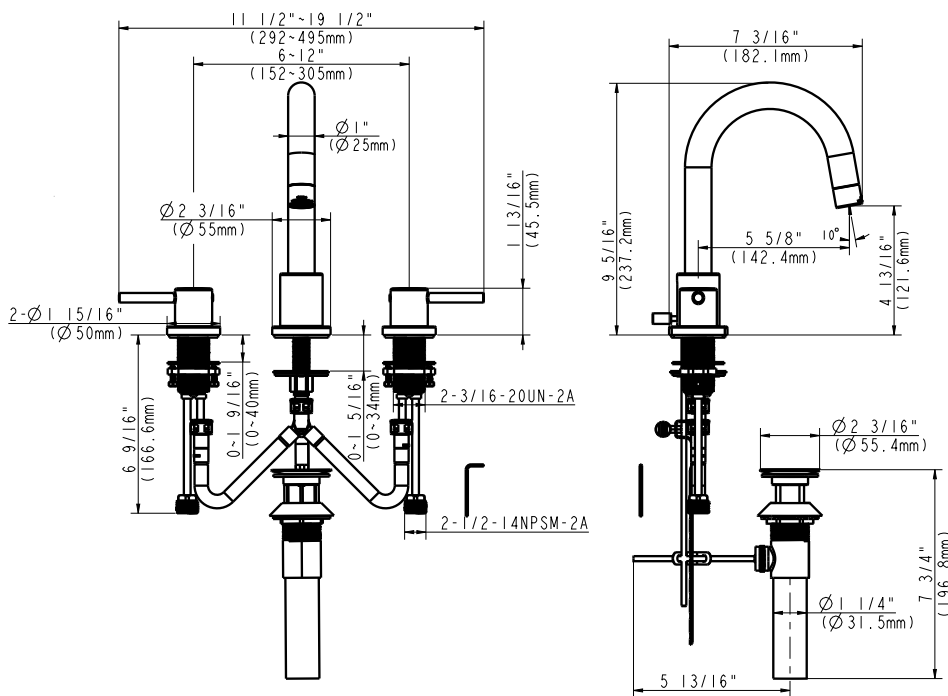
TWO HANDLE WIDE SPREAD BATHROOM FAUCET WITH POP-UP



- Three mounting holes
- Metal threaded shafts
- Ceramic cartridge
- Matching pop-up
- Max Flow Rate 1.2 GPM (4.5 LPM) at 60PSI (ASME.A112.18.1M)
- Boxed
- Limited lifetime warranty

Meets or exceeds the following:

- ANSI/ASME A112.18.1M
- ANSI/NSF 61-Sec.9
- IAPMO/CUPC



PART NO. 1559250 - CHROME PLATED
PART NO. 1559251 - BRUSHED NICKEL

TWO HANDLE WIDE SPREAD BATHROOM FAUCET WITH POP-UP

