

**PART NO. 1559240 - CHROME PLATED**  
**PART NO. 1559241 - BRUSHED NICKEL**

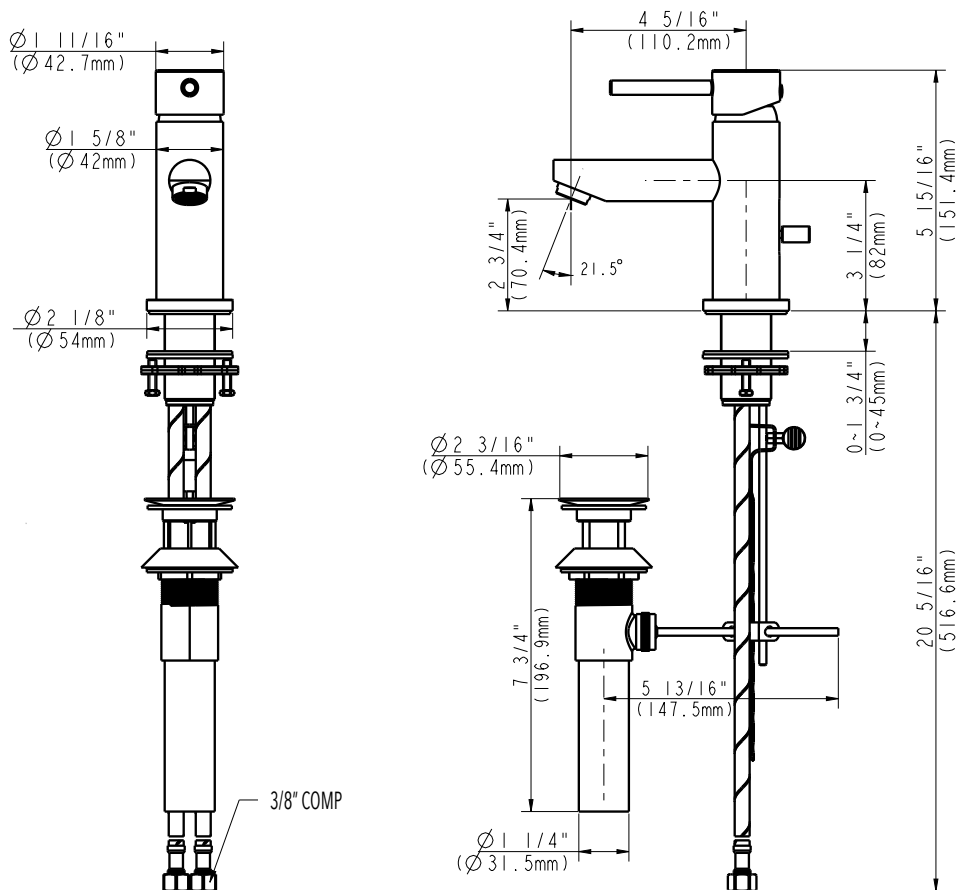
**SINGLE HANDLE FAUCET WITH POP-UP**



- Single hole
- Integral stainless steel braided supply lines with 3/8" COMP connection
- Ceramic cartridge
- Matching pop-up
- Max Flow Rate 1.2 GPM (4.5 LPM) at 60PSI (ASME.A112.18.1M)
- Boxed
- Limited lifetime warranty

**Meets or exceeds the following:**

- ANSI/ASME A112.18.1M
- ANSI/NSF 61-Sec.9
- IAPMO/CUPC



**PART NO. 1559240 - CHROME PLATED**  
**PART NO. 1559241 - BRUSHED NICKEL**

**SINGLE HANDLE FAUCET WITH POP-UP**

