

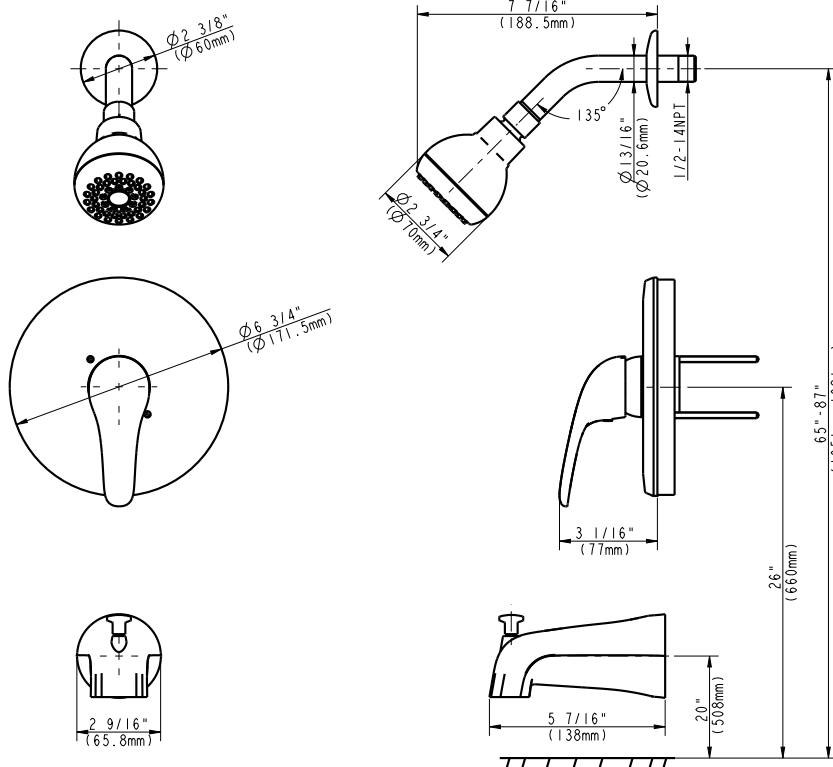
PART NO. 1559080 - CHROME PLATED
PART NO. 1559081 - BRUSHED NICKEL
PART NO. 1559082 - OIL RUBBED BRONZE

TUB/SHOWER FAUCET, TRIM ONLY

- Showerhead, shower arm and tub spout
- Use with rough-in valve 1559900, 159901, or 1559902 (sold separately)
- Max Flow Rate 1.8 GPM (6.8LPM) at 80PSI (ASME.A112.18.1M)
- Boxed
- Limited lifetime warranty

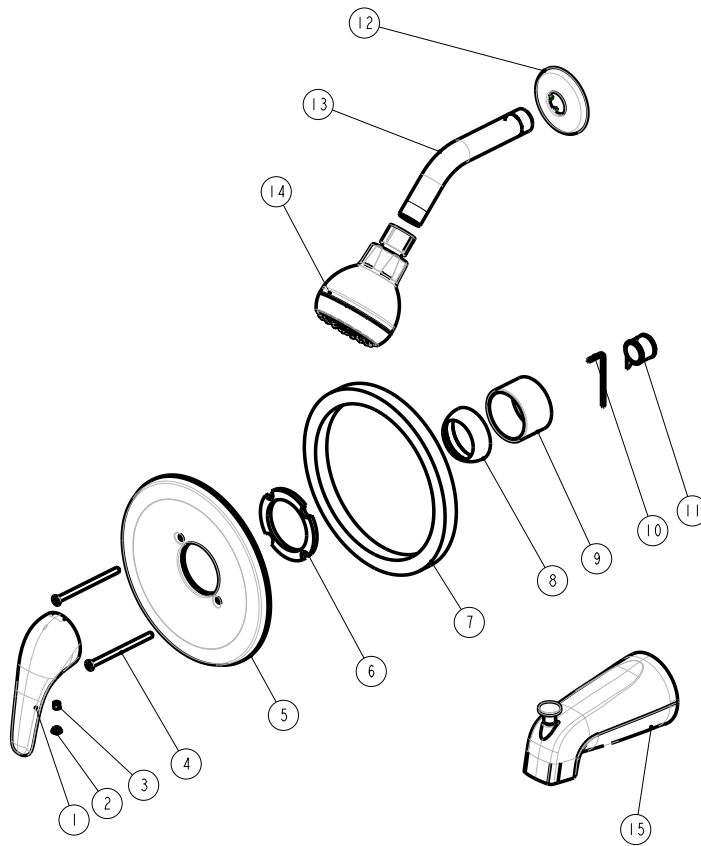
Meets or exceeds the following:

- ANSI/ASME A112.18.1M
- ANSI/NSF 61-Sec.9
- IAPMO/CUPC
- ADA Compliant



PART NO. 1559080 - CHROME PLATED
PART NO. 1559081 - BRUSHED NICKEL
PART NO. 1559082 - OIL RUBBED BRONZE

TUB/SOWER FAUCET, TRIM ONLY



No.	Component Description
1	Handle
2	Index button
3	Screw
4	Screw
5	Deck Plate
6	Gasket
7	Gasket
8	Dome Nut
9	Sleeve
10	Allen Wrench
11	Teflon Tape
12	Shower Flange
13	Shower Arm
14	Shower Head
15	Spout