

PART NO. 1559070 - CHROME PLATED
PART NO. 1559073 - STAINLESS STEEL

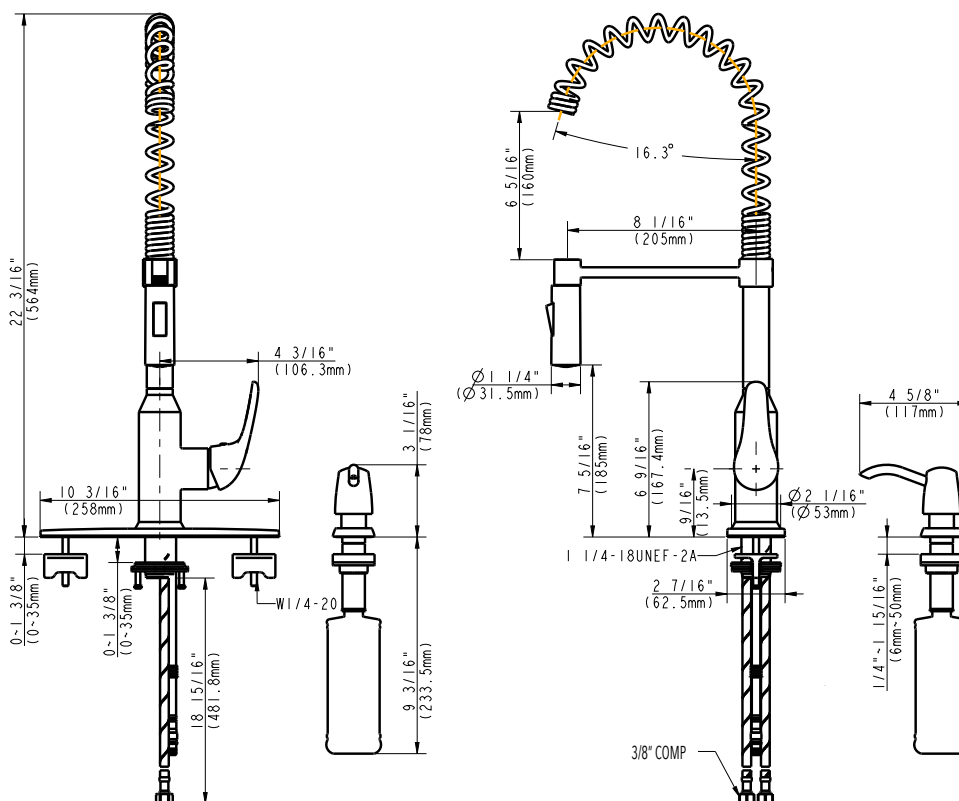
SPRING NECK PULL-DOWN FAUCET



- Ceramic cartridge
- Use with baseplate for 8" 3-hole installation
- Use without base plate for 1-hole installation
- Max Flow Rate 1.8GPM(6.8LPM) at 60PSI (ASME.A112.18.1M)
- Integral stainless steel braided supply lines with 3/8" COMP connection
- Includes matching soap/lotion dispenser
- Boxed
- Limited lifetime warranty

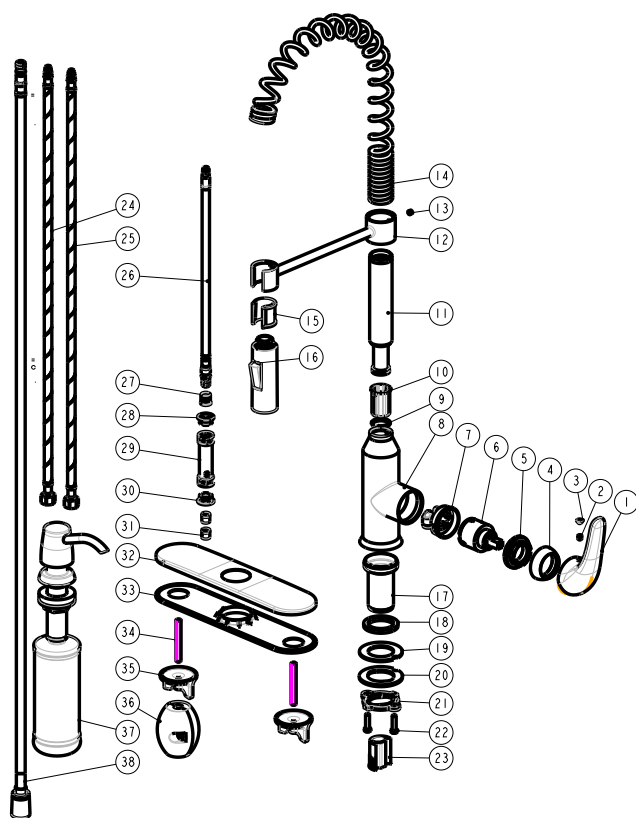
Meets or exceeds the following:

- ANSI/ASME A112.18.1M
- ANSI/NSF 61-Sec.9
- IAPMO/CUPC
- ADA Compliant



PART NO. 1559070 - CHROME PLATED
PART NO. 1559073 - STAINLESS STEEL

SPRING NECK PULL-DOWN FAUCET



No.	Component Description
1	Handle
2	Screw
3	Index Button
4	Dome Nut
5	Cartridge Cap
6	Cartridge
7	Cartridge Base
8	Faucet Body
9	O-ring
10	Connector
11	Sleeve
12	Holder
13	Screw
14	Spring
15	C-chip
16	Spray Head
17	Sleeve
18	Gasket
19	Gasket
20	Gasket
21	Fixing Nut
22	Screw
23	Fixing Cap
24	24" Stainless Steel Supply Line
25	24" Stainless Steel Supply Line
26	Inlet Tube
27	Protect Cap
28	Fixing Ring
29	Connector
30	Fixing Ring
31	Check valve
32	Deckplate
33	Bottom Plate
34	Stud
35	Nut
36	Counter Weight
37	Soap Dispenser
38	Spray Hose