

PART NO. 1559060 - CHROME PLATED
PART NO. 1559063 - STAINLESS STEEL

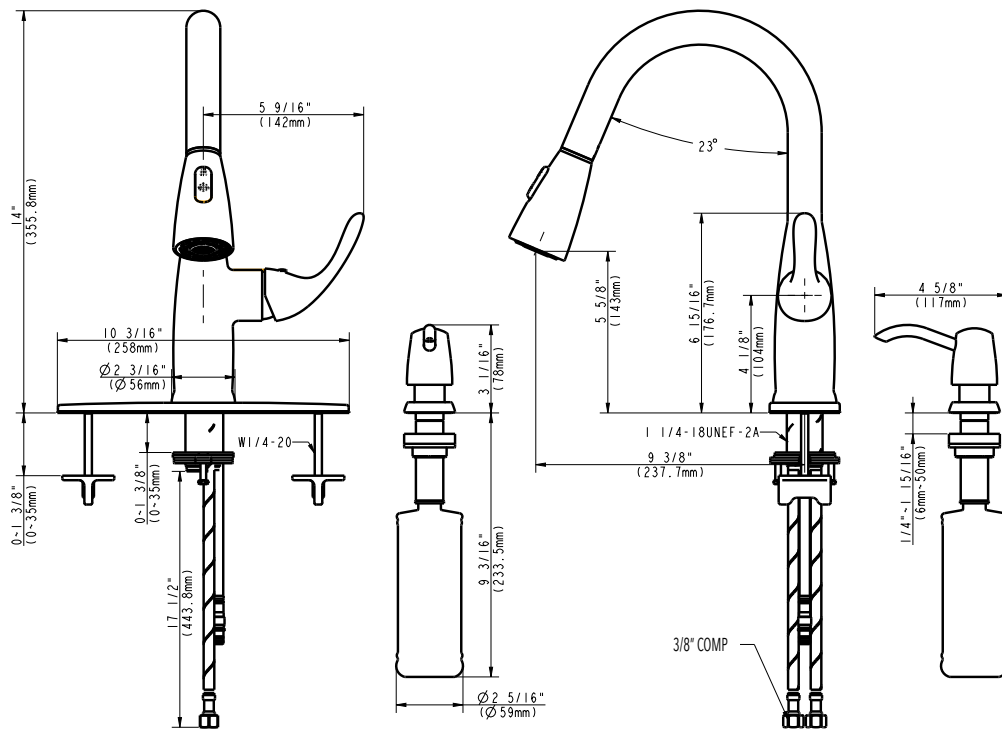


HI-ARC PULL-DOWN FAUCET

- Ceramic cartridge
- Use with baseplate for 8" 3-hole installation
- Use without base plate for 1-hole installation
- Max Flow Rate 1.8GPM(6.8LPM) at 60PSI (ASME.A112.18.1M)
- Integral stainless steel braided supply lines with 3/8" COMP connection
- Includes matching soap/lotion dispenser
- Boxed
- Limited lifetime warranty

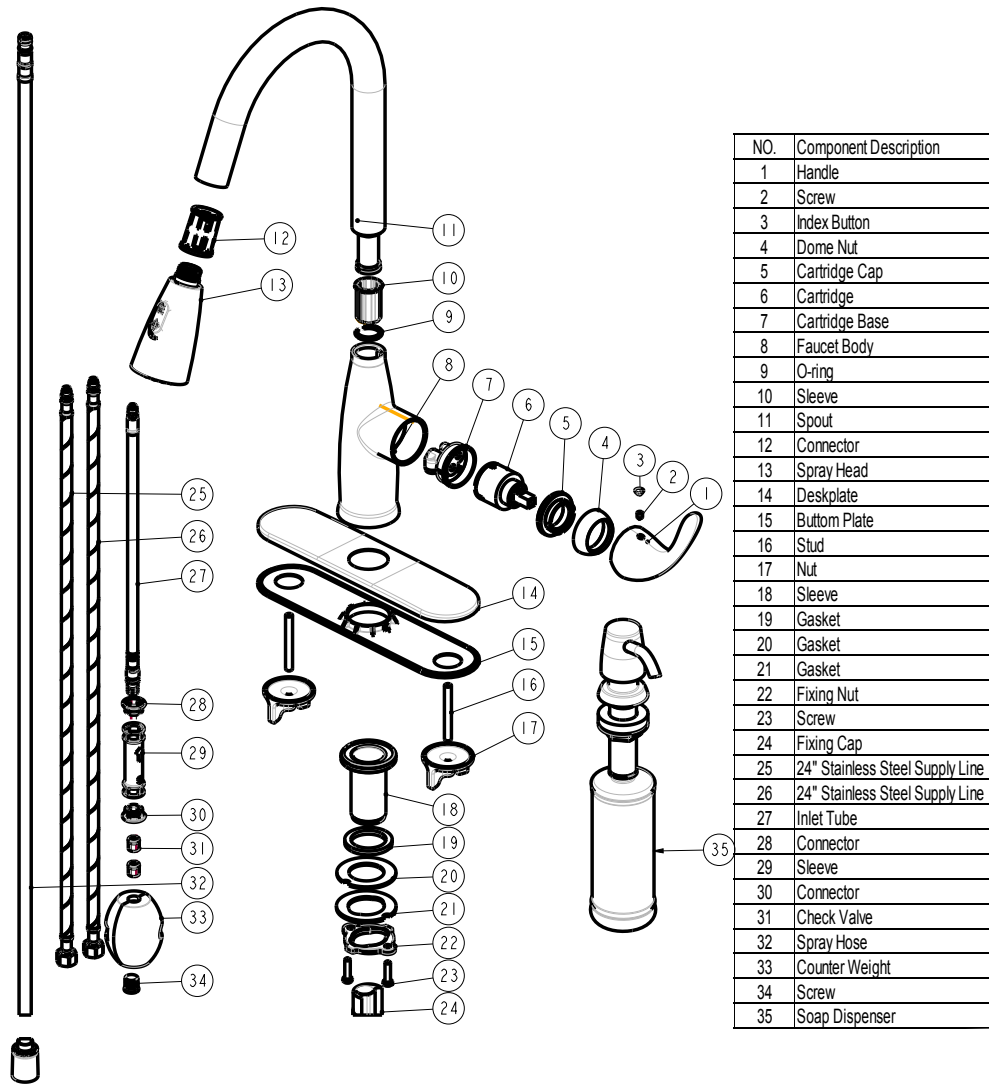
Meets or exceeds the following:

- ANSI/ASME A112.18.1M
- ANSI/NSF 61-Sec.9
- IAPMO/CUPC
- ADA Compliant



PART NO. 1559060 - CHROME PLATED
PART NO. 1559063 - STAINLESS STEEL

HI-ARC PULL-DOWN FAUCET



NO.	Component Description
1	Handle
2	Screw
3	Index Button
4	Dome Nut
5	Cartridge Cap
6	Cartridge
7	Cartridge Base
8	Faucet Body
9	O-ring
10	Sleeve
11	Spout
12	Connector
13	Spray Head
14	Deskplate
15	Bottom Plate
16	Stud
17	Nut
18	Sleeve
19	Gasket
20	Gasket
21	Gasket
22	Fixing Nut
23	Screw
24	Fixing Cap
25	24" Stainless Steel Supply Line
26	24" Stainless Steel Supply Line
27	Inlet Tube
28	Connector
29	Sleeve
30	Connector
31	Check Valve
32	Spray Hose
33	Counter Weight
34	Screw
35	Soap Dispenser