

**PART NO. 1559050 - CHROME PLATED**  
**PART NO. 1559051 - BRUSHED NICKEL**  
**PART NO. 1559051 - OIL RUBBED BRONZE**

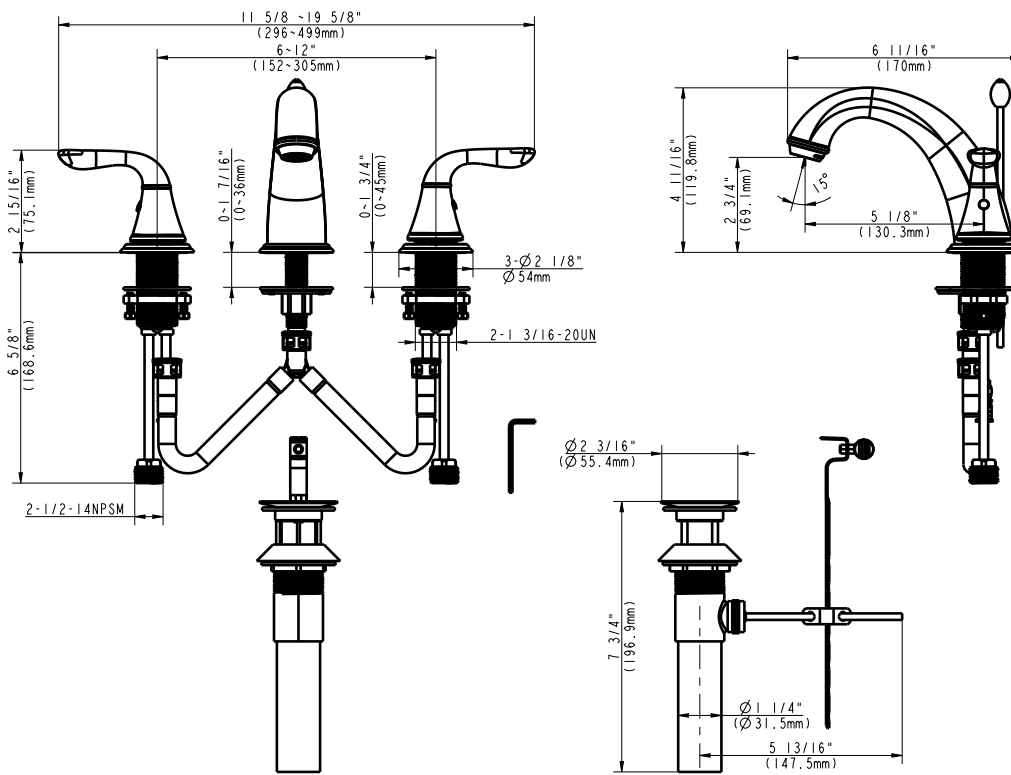


**TWO HANDLE WIDE SPREAD FAUCET WITH POP-UP**

- Three mounting holes
- Metal threaded shafts
- Ceramic cartridge
- Matching pop-up
- Max Flow Rate 1.2GPM(4.5LPM) at 60PSI (ASME.A112.18.1M)
- Boxed
- Limited lifetime warranty

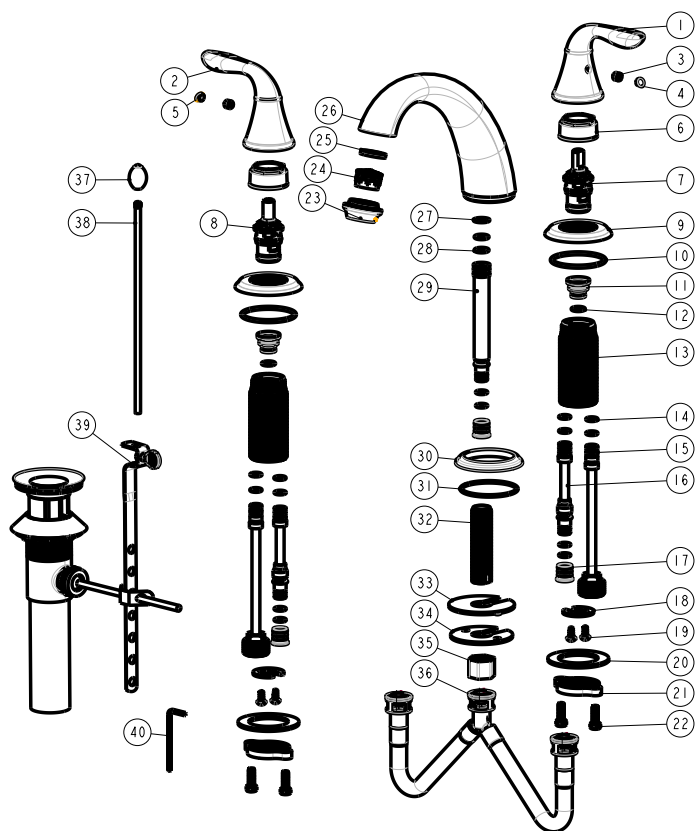
**Meets or exceeds the following:**

- ANSI/ASME A112.18.1M
- ANSI/NSF 61-Sec.9
- IAPMO/CUPC
- ADA Compliant



**PART NO. 1559050 - CHROME PLATED**  
**PART NO. 1559051 - BRUSHED NICKEL**  
**PART NO. 1559052 - OIL RUBBED BRONZE**

TWO HANDLE WIDE SPREAD FAUCET WITH POP-UP



No.	Component Description
1	Cold handle
2	Hot handle
3	Screw
4	Index button
5	Index button
6	Lock nut
7	Cold cartridge
8	Hot cartridge
9	Base ring
10	Gasket
11	Seat
12	O-ring
13	Handle body
14	O-ring
15	Inlet pipe
16	Outlet pipe
17	Cap
18	Gasket
19	Screw
20	Gasket
21	Lock ring
22	Screw
23	Aerator cover
24	Aerator
25	Gasket
26	Spout
27	Gasket
28	O-ring
29	Connector
30	Base ring
31	Gasket
32	Sleeve
33	Gasket
34	Gasket
35	Lock nut
36	Connection tube
37	Knob
38	Lift rod
39	Pop up
40	Hex key