

**PART NO. 1559030 - CHROME PLATED**  
**PART NO. 1559031 - BRUSHED NICKEL**  
**PART NO. 1559032 - OIL RUBBED BRONZE**

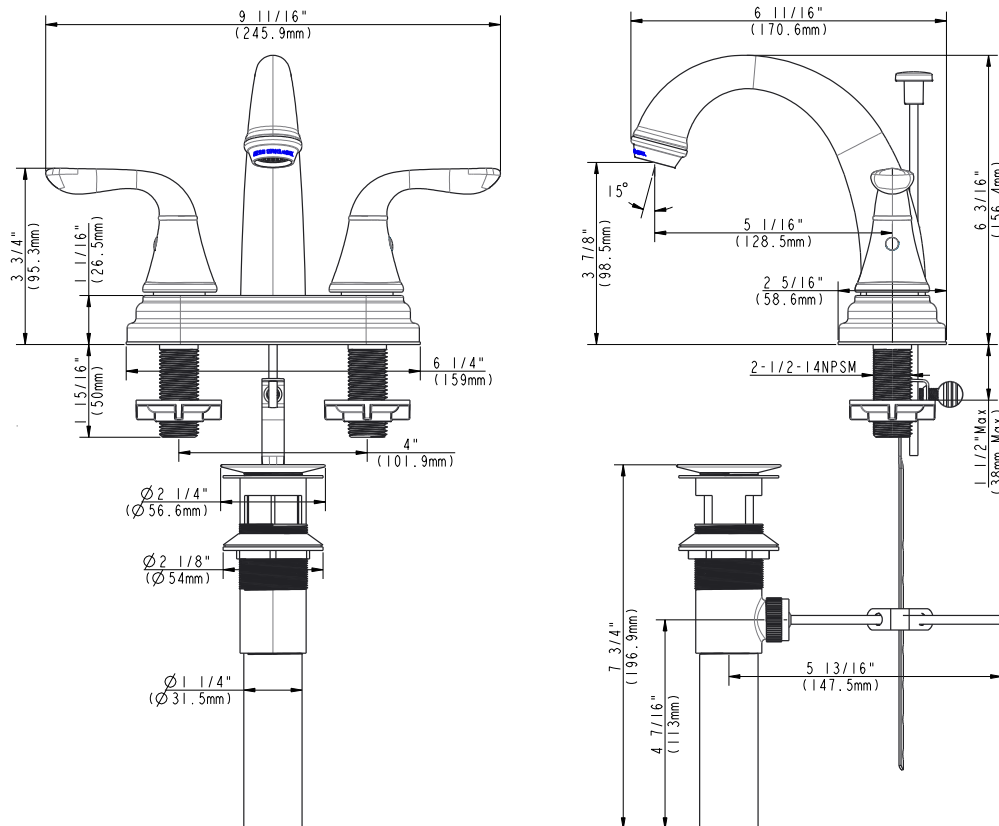


**TWO HANDLE HIGH SPOUT FAUCET WITH POP-UP**

- Three mounting holes
- Fits 4" center
- Metal threaded shafts
- Ceramic cartridge
- Matching pop-up
- Max Flow Rate 1.2 xGPM(4.5LPM) at 60PSI (ASME.A112.18.1M)
- Boxed
- Limited lifetime warranty

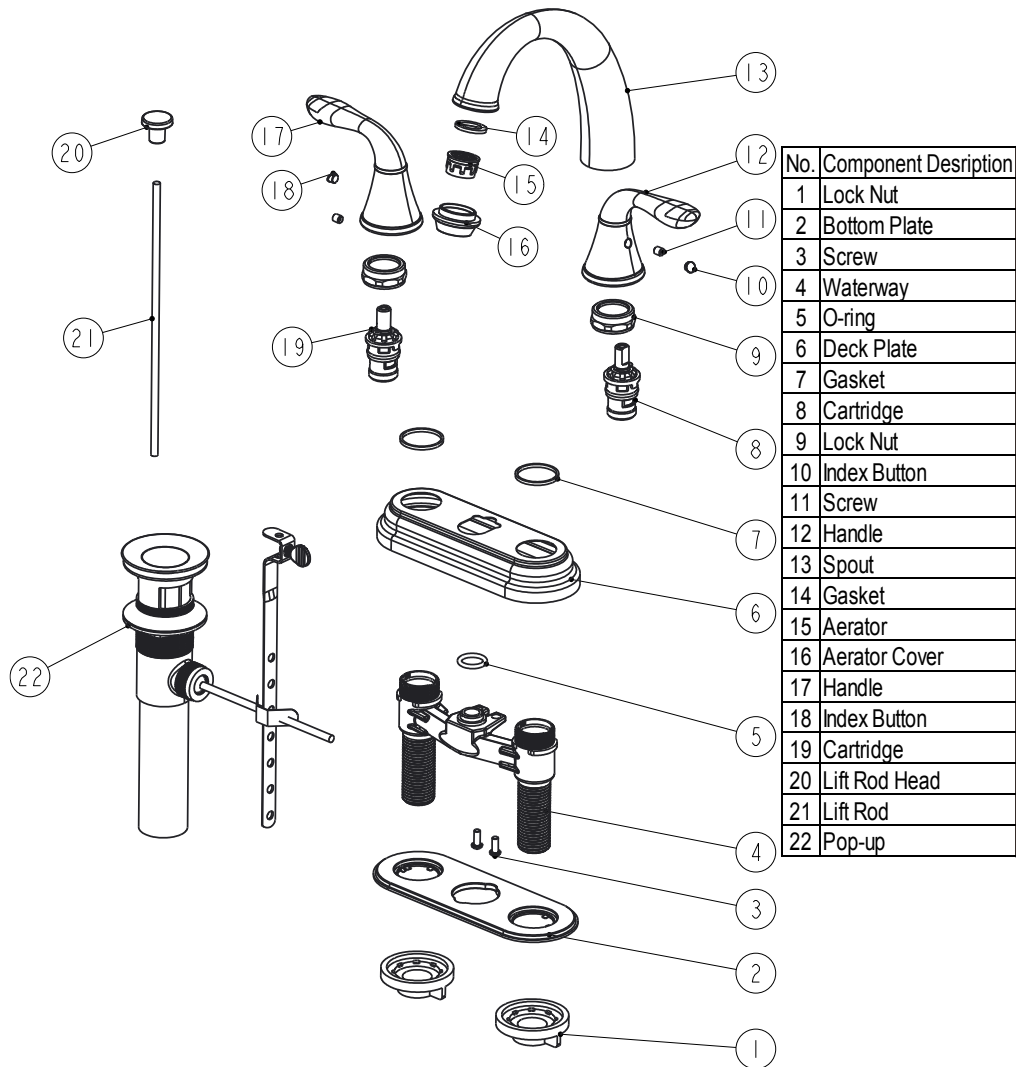
**Meets or exceeds the following:**

- ANSI/ASME A112.18.1M
- ANSI/NSF 61-Sec.9
- IAPMO/CUPC
- ADA Compliant



**PART NO. 1559030 - CHROME PLATED**  
**PART NO. 1559031 - BRUSHED NICKEL**  
**PART NO. 1559032 - OIL RUBBED BRONZE**

**TWO HANDLE HIGH SPOUT FAUCET WITH POP-UP**



No.	Component Description
1	Lock Nut
2	Bottom Plate
3	Screw
4	Waterway
5	O-ring
6	Deck Plate
7	Gasket
8	Cartridge
9	Lock Nut
10	Index Button
11	Screw
12	Handle
13	Spout
14	Gasket
15	Aerator
16	Aerator Cover
17	Handle
18	Index Button
19	Cartridge
20	Lift Rod Head
21	Lift Rod
22	Pop-up