

**PART NO. 1559000 - CHROME PLATED**  
**PART NO. 1559001 - BRUSHED NICKEL**  
**PART NO. 1559002 - OIL RUBBED BRONZE**

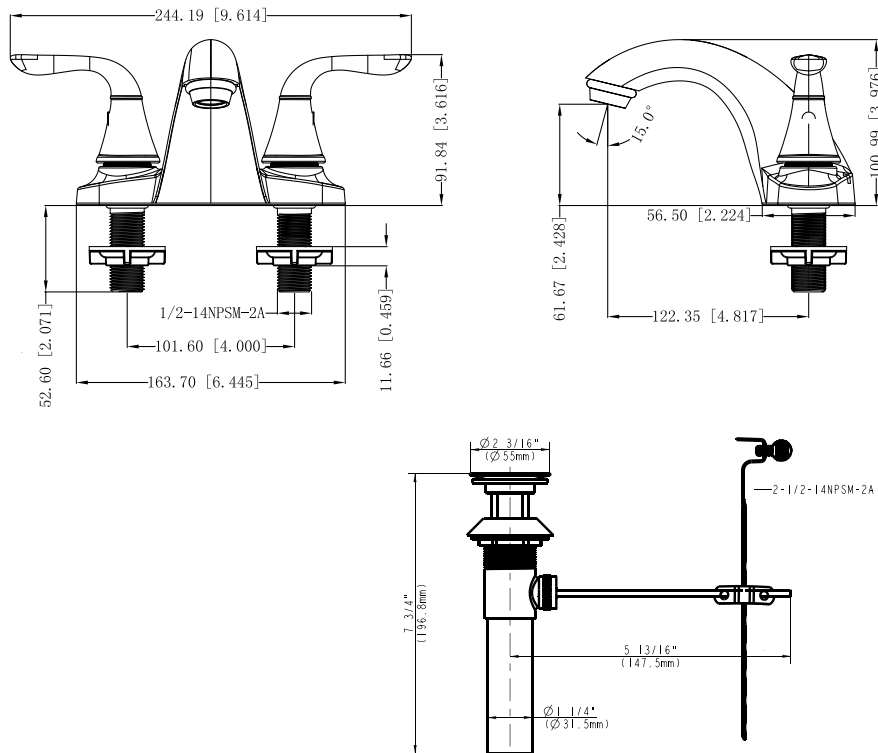


**TWO HANDLE FAUCET WITH POP-UP**

- Single hole
- Fits 4" center
- Metal threaded shafts
- Ceramic cartridge
- Matching pop-up
- Max Flow Rate 1.2GPM(4.5LPM) at 60PSI (ASME.A112.18.1M)
- Boxed
- Limited lifetime warranty

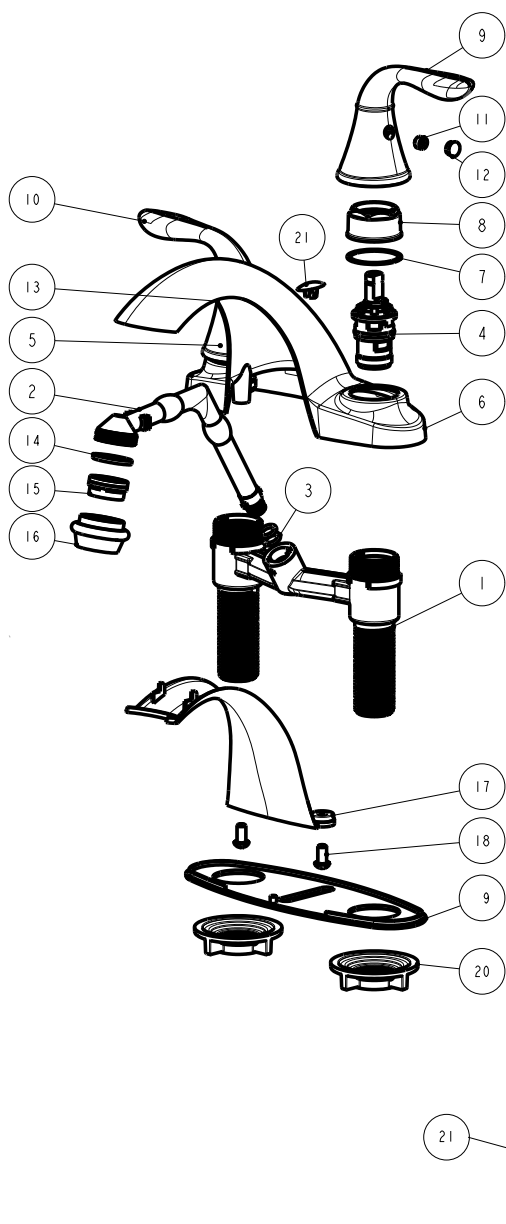
**Meets or exceeds the following:**

- ANSI/ASME A112.18.1M
- ANSI/NSF 61-Sec.9
- IAPMO/CUPC
- ADA Compliant



**PART NO. 1559000 - CHROME PLATED**  
**PART NO. 1559001 - BRUSHED NICKEL**  
**PART NO. 1559002 - OIL RUBBED BRONZE**

**TWO HANDLE FAUCET WITH POP-UP**



NO.	Component Description
1	Waterway
2	Outlet Tube
3	O-ring
4	Cartridge
5	Cartridge
6	Cover Plate
7	Gasket
8	Adjusting Nut
9	Handle
10	Handle
11	Screw
12	Index Button
13	Index Button
14	Gasket
15	Aerator Core
16	Aerator Core
17	Bottom Plate
18	Screw
19	Deckplate
20	Nut
21	Pop-up