

SPECIFICATION:

JOSAM 67600 SERIES COATED CAST IRON BACKWATER VALVE, OFFSET TYPE, BRONZE FIXED SWING-CHECK ASSEMBLY, BOLTED GASKETED COVER AND HUB & SPIGOT CONNECTIONS.

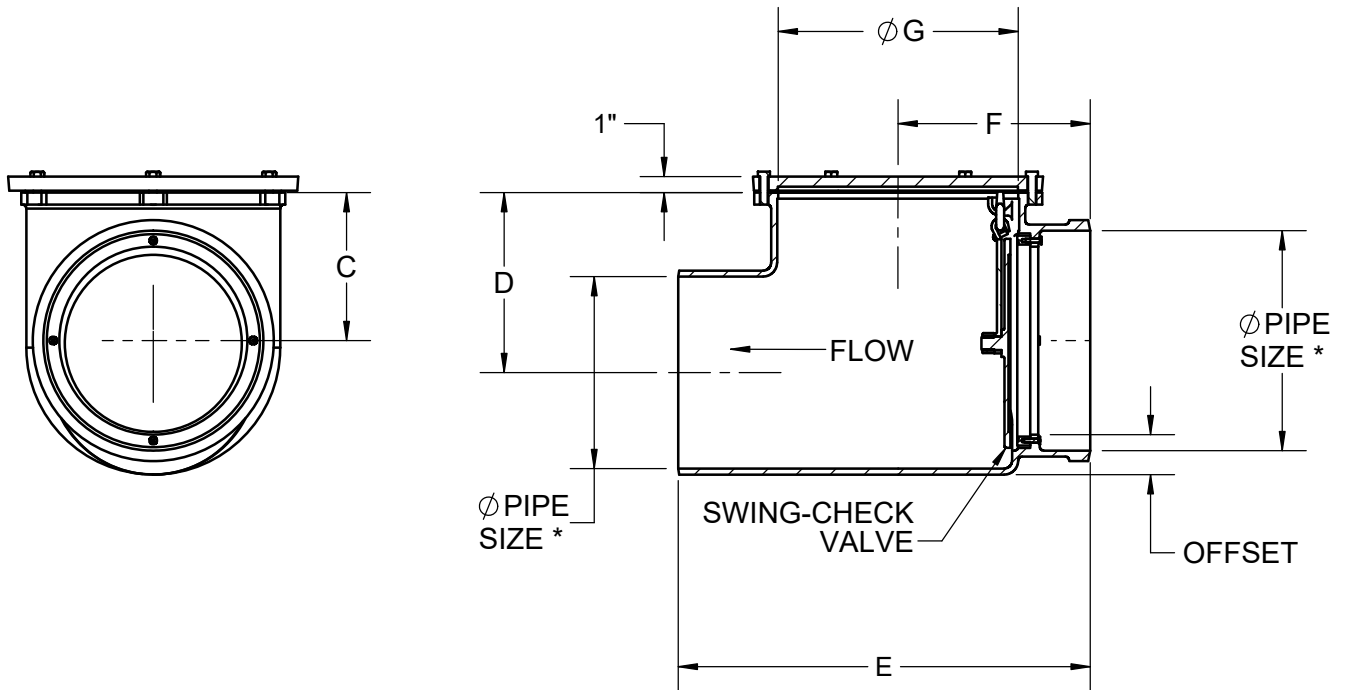
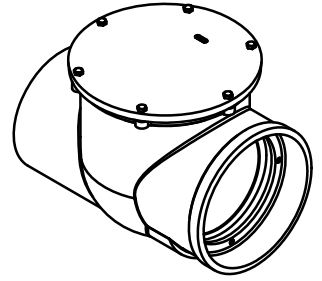
**BACKWATER VALVE
HUB & SPIGOT SWING-CHECK**

SERIES **67600**

NOTE: SWING-CHECK VALVE NORMALLY HANGS IN A SLIGHTLY OPEN POSITION TO ALLOW LOW VOLUME WATER TO FLOW.

(ANY BACK PRESSURE CLOSES VALVE)

BOLTED COVER,
OFFSET TYPE



* HUB & SPIGOT DIMENSIONS ARE IN ACCORDANCE WITH E.H.C.I. SOIL PIPE STANDARD.

	PIPE SIZE	OFFSET	C	D	E	F	G
	10"	2	8-1/2	10-1/2	23	10-1/2	13
	12"	2	9-1/4	11-1/4	25-3/4	12	15

WARNING: Cancer and Reproductive Harm - www.P65Warnings.ca.gov

DATE OF LAST CHANGE: 05/27/21

DIMENSIONS ARE SUBJECT TO MANUFACTURERS TOLERANCES AND CHANGE WITHOUT NOTICE. WE CAN ASSUME NO RESPONSIBILITY FOR USE OF SUPERSEDED OR VOID DATA.

JOSAM
MICHIGAN CITY, INDIANA

NOTES