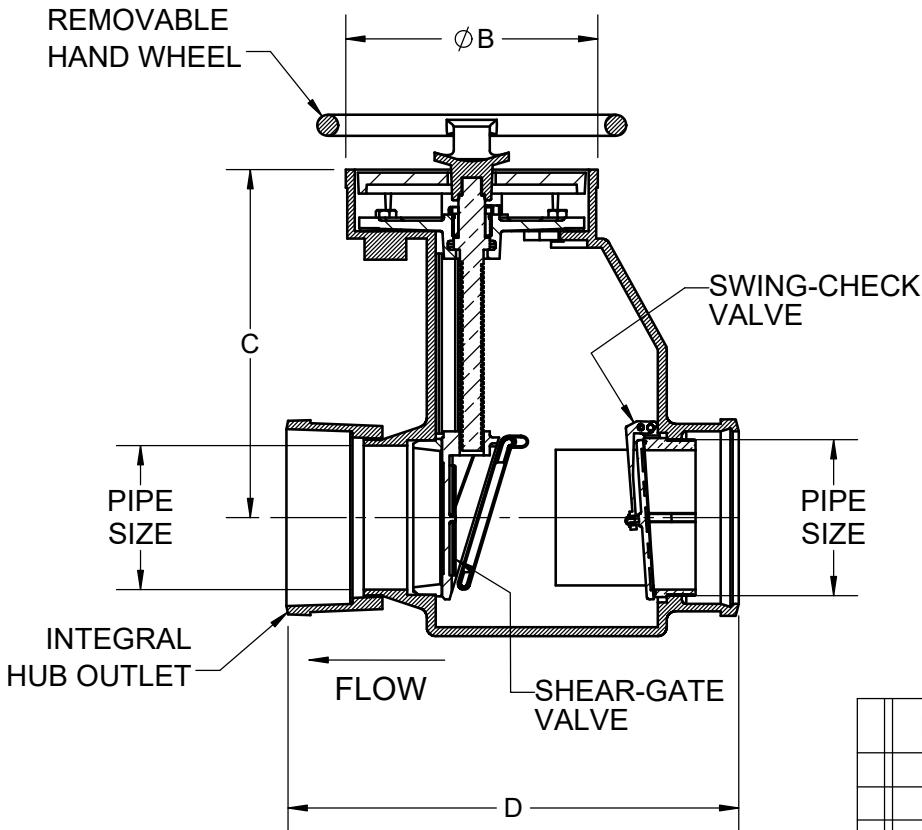
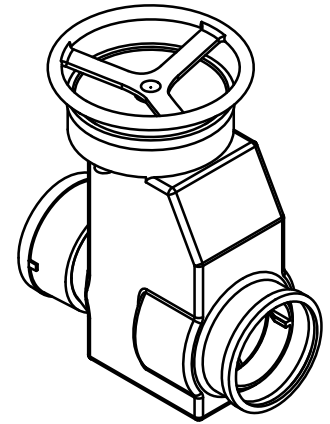
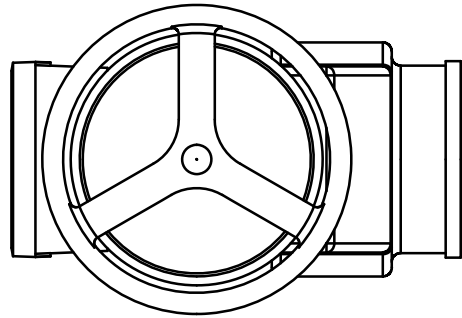


SPECIFICATION:

JOSAM 67360-DH SERIES COATED CAST IRON COMBINATION BACKWATER VALVE, STRAIGHT-THROUGH TYPE, BRONZE SWING-CHECK ASSEMBLY, BRONZE MANUALLY OPERATED SHEAR-GATE WITH NON-RISING STEM AND HUB CONNECTIONS.

BACKWATER VALVE
SHEAR-GATE & SWING-CHECK

SERIES **67360-DH**



STRAIGHT-THROUGH TYPE FOR EXISTING INSTALLATIONS.

NOTE: SWING-CHECK VALVE NORMALLY HANGS IN CLOSED POSITION BUT CAN BE SET TO HANG OPEN BY SPECIFYING (-15) OPEN FLAP OPTION.

PIPE SIZE	B	C	D
3"	8	12	16
4"	8	12	16
5"	10-1/2	14-1/2	16
6"	10-1/2	14-1/2	16

X	-DH	DOUBLE HUB
	-15	OPEN FLAP
	-28	12" CAST IRON EXTENSION AND STEM
	-29	24" CAST IRON EXTENSION AND STEM

WARNING: Cancer and Reproductive Harm - www.P65Warnings.ca.gov

DATE OF LAST CHANGE: 05/23/18

DIMENSIONS ARE SUBJECT TO MANUFACTURERS TOLERANCES AND CHANGE WITHOUT NOTICE. WE CAN ASSUME NO RESPONSIBILITY FOR USE OF SUPERSEDED OR VOID DATA.

JOSAM

MICHIGAN CITY, INDIANA

NOTES