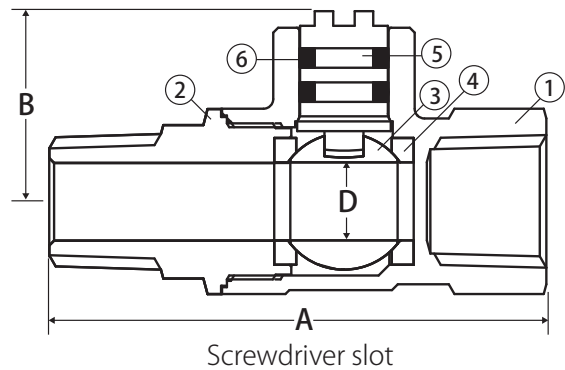
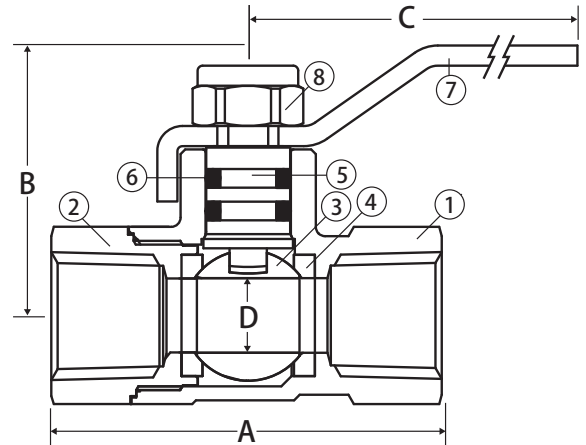
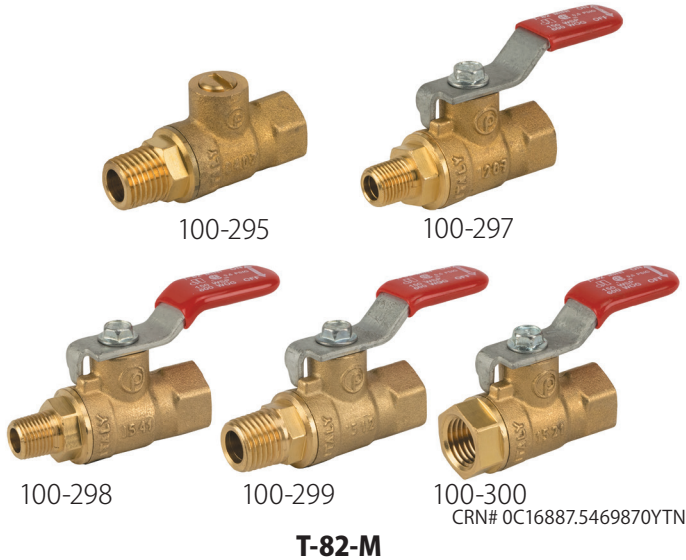


# Brass Ball Valve



**2 Piece • Full Port • Threaded Connection • Mini Valves • 600 WOG**



## Features

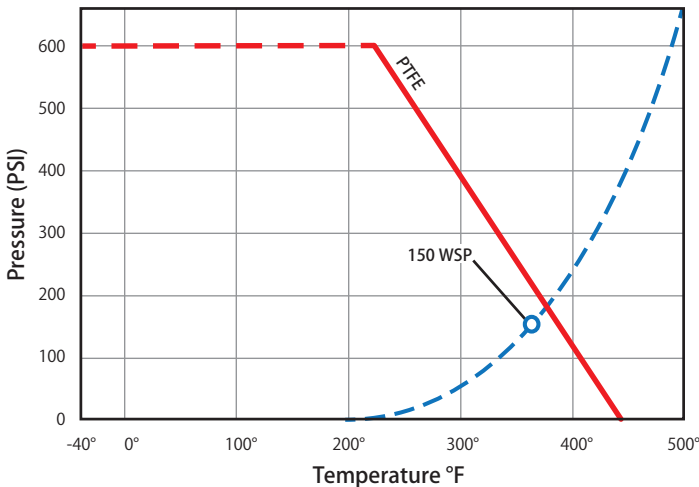
- Blow-out proof stem
- 2 Viton® o-rings
- Greater flow rate
- Large raised wrench flats
- 100% leak tested
- 100% Made in Italy
- Leakproof stem - Lifetime Warranty

## Approvals

- CSA Certified
  - ANSI Z21.15 (.5 PSIG) (1/4" - 2")
- MSS SP-110
- ANSI B1.20.1

## Valve Seat Rating

600 WOG - 150 WSP



## Material Specifications

No.	Part	Materials
1	Body	Brass - CW617N
2	End Connection	Brass - CW617N
3	Ball	Chrome Plated Brass - CW617N
4	Seat (2)	PTFE
5	Stem	Brass - CW614N
6	Stem O-ring (2)	Viton®
7	Handle*	Steel - Geomet® Plated
8	Handle screw*	Steel - Geomet® Plated

\* Lever Handle Only

## Dimensions

Part No.	Size	A	B	C	D
100-295	1/4" FIP x 1/4" MIP*	2.01	0.77	-	0.31
100-297	1/8" FIP x 1/8" MIP	1.96	1.14	1.69	0.31
100-298	1/4" FIP x 1/8" MIP	1.96	1.14	1.69	0.31
100-299	1/4" FIP x 1/4" MIP	2.01	1.14	1.69	0.31
100-300	1/4" FIP x 1/4" FIP	1.65	1.14	1.69	0.31

\* Mini screwdriver slot handle



**WARNING:** This product can expose you to chemicals including lead, which is known to the State of California to cause cancer, and lead, which is known to the State of California to cause birth defects or other reproductive harm. For more information go to [www.P65Warnings.ca.gov](http://www.P65Warnings.ca.gov).