

Lead Free Brass Sillcock

Female Threaded Connection • 125 WOG



T-641G

Features


- 3/4" hose thread outlet
- Wetted surfaces contain less than .25% lead content

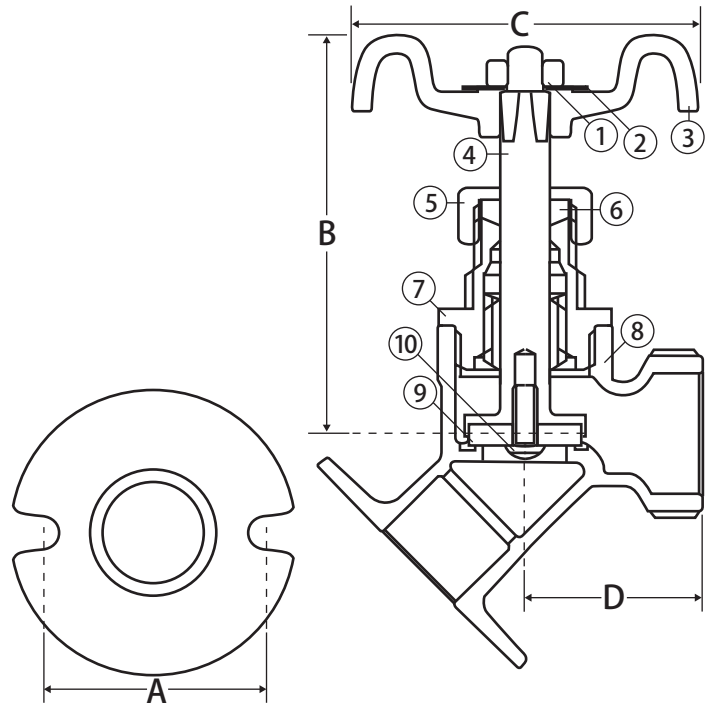
Approvals

- Truesdail Certified
- Lead Free Compliant
- ANSI B1.20.1
- ANSI B1.20.7

Pressure Rating

- 125 WOG

 **WARNING:** This product can expose you to chemicals including lead, which is known to the State of California to cause cancer, and lead, which is known to the State of California to cause birth defects or other reproductive harm. For more information go to www.P65Warnings.ca.gov.



Material Specifications

| No. | Part | Materials |
|-----|---------------|----------------------|
| 1 | Handle Nut | Steel |
| 2 | Name Plate | Aluminum |
| 3 | Handle Wheel | Cast Iron |
| 4 | Stem | Lead Free Brass |
| 5 | Packing Nut | Lead Free Brass |
| 6 | Gland Packing | Buna-N |
| 7 | Bonnet | Lead Free Cast Brass |
| 8 | Body | Lead Free Cast Brass |
| 9 | Seat Packing | Buna-N |
| 10 | Seat Screw | Lead Free Brass |

Dimensions

| Part No. | Size | A | B | C | D |
|----------|------|------|------|------|------|
| 202-003G | 1/2" | 1.10 | 2.52 | 2.13 | 1.38 |
| 202-004G | 3/4" | 1.10 | 2.52 | 2.13 | 1.62 |