

Lead Free Brass Boiler Drain

Threaded Male Connection • 125 WOG



T-621G

Features

- Heavy pattern brass
- Wetted surfaces contain less than .25% lead content

Approvals

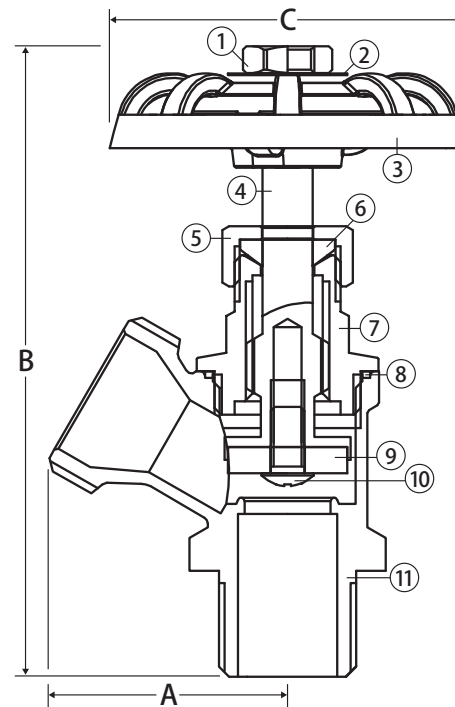
- NSF/ANSI 372
- NSF/ANSI 61-8
- NSF/ANSI 14
- Uniform Plumbing Code (cUPC)

Pressure Rating

- 125 WOG



WARNING: This product can expose you to chemicals including lead, which is known to the State of California to cause cancer, and lead, which is known to the State of California to cause birth defects or other reproductive harm. For more information go to www.P65Warnings.ca.gov.



Material Specifications

No.	Part	Materials
1	Handle Nut	Steel
2	Name Plate	Aluminum
3	Hand Wheel	Cast Iron
4	Stem	Lead Free Brass
5	Packing Nut	Lead Free Brass
6	Gland Packing	Buna-N
7	Bonnet	Lead Free Brass
8	Body	Lead Free Brass
9	Seat Packing	Buna-N
10	Seat Screw	SS304 Stainless Steel

Dimensions

Part No.	Size	A	B	C
201-003G	1/2"	1.58	3.59	2.13
201-004G	3/4"	1.58	3.70	2.13