

# Stainless Steel Swing Check Valve



Threaded Connection • 200 WOG



T-550

## Features

- Manufactured in ISO-9001 facility
- Heavy pattern body
- One-piece body design
- PTFE o-ring seal
- Metal to metal disc seal

## Approvals

- ANSI B1.20.1

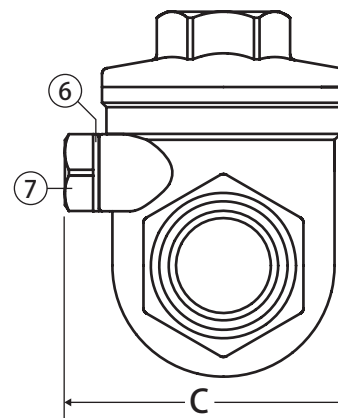
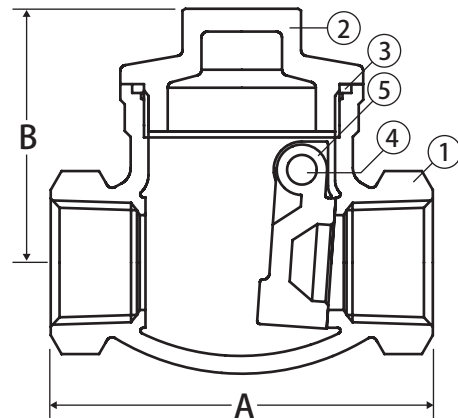
## Pressure/Temperature Rating

- 200 WOG
- -4° F to 392° F

Install 5 pipe diameters minimum downstream from pump discharge or changes in direction to avoid flow turbulence. Flow straighteners may be required in extreme cases.

Note: On pump discharge, the preferred check valves are: inline, spring assisted, center-guided, lift checks.

Warning: Do Not Use For Reciprocating Air Compressor Service



## Material Specifications

No.	Part	Materials
1	Body	ASTM A351-CF8M
2	Cap	ASTM A351-CF8M
3	Seal	PTFE
4	Plug	AISI 316
5	Disc	ASTM A351-CF8M
6	Gasket	PTFE
7	Bolt	AISI 304

## Dimensions

Part No.	Size	A	B	C
105-803	1/2"	2.56	1.73	1.83
105-804	3/4"	3.15	2.05	2.05
105-805	1"	3.50	2.44	2.20
105-806	1-1/4"	4.13	2.64	2.56
105-807	1-1/2"	4.72	3.11	2.95
105-808	2"	5.47	3.15	3.31



**WARNING:** This product can expose you to chemicals including nickel, which is known to the State of California to cause cancer. For more information go to [www.P65Warnings.ca.gov](http://www.P65Warnings.ca.gov).