

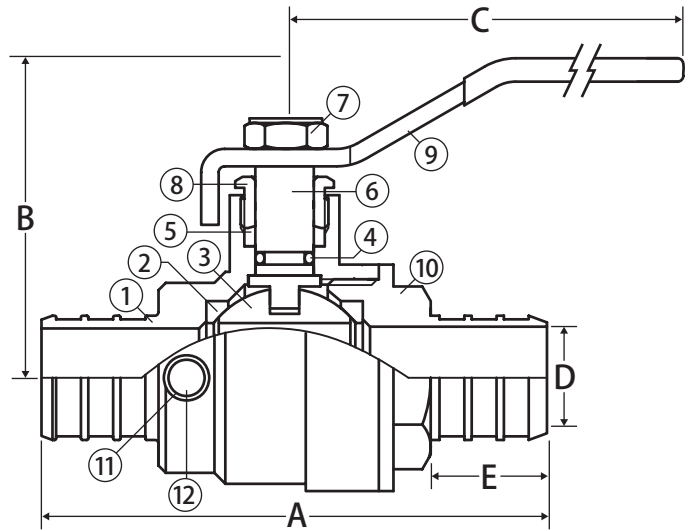
# Lead Free Brass Ball Valve



2 Piece • Crimp Pex Connection • 600 WOG • Stainless Steel Ball and Stem • with Drain



T-413G



## Features

- Dezincification resistant brass
- Gland follower and single o-ring stem design
- Drop ear for easy install
- Blow-out proof stem
- 100% leak tested
- Wetted surfaces contain less than .25% lead content

## Approvals

- ASTM F1807
- RoHS Compliant
- CSA Certified
  - ASME A112.4.14
- IAPMO Certified
  - NSF 61-8
  - NSF 372
  - Uniform Plumbing Code (cUPC)
    - IAPMO/ANSI Z1157-2014
    - NSF/ANSI 14-2014

## Pressure Rating

- Body rated to 600 WOG
- Crimp connection rated to 100 WOG up to 180°F



WARNING: This product can expose you to chemicals including lead, which is known to the State of California to cause cancer, and lead, which is known to the State of California to cause birth defects or other reproductive harm. For more information go to [www.P65Warnings.ca.gov](http://www.P65Warnings.ca.gov).

## Material Specifications

No.	Part	Materials
1	Body	Lead Free Brass - C46500
2	Seat	PTFE
3	Ball	304 Stainless Steel
4	O-ring	Buna-N
5	Packing	PTFE
6	Stem	304 Stainless Steel
7	Handle Nut	Steel - Chrome Plated
8	Packing Gland	Lead Free Brass - C46500
9	Handle	Steel - Chrome Plated
10	End Connection	Lead Free Brass - C46500
11	Cap	Brass - C37700
12	Gasket	EPDM

## Dimensions

Part No.	Size	A	B	C	D	E
103-543PG	1/2"	2.66	1.65	3.54	0.35	0.63
103-544PG	3/4"	2.82	1.72	3.54	0.53	0.63