

# Brass Ball Valve

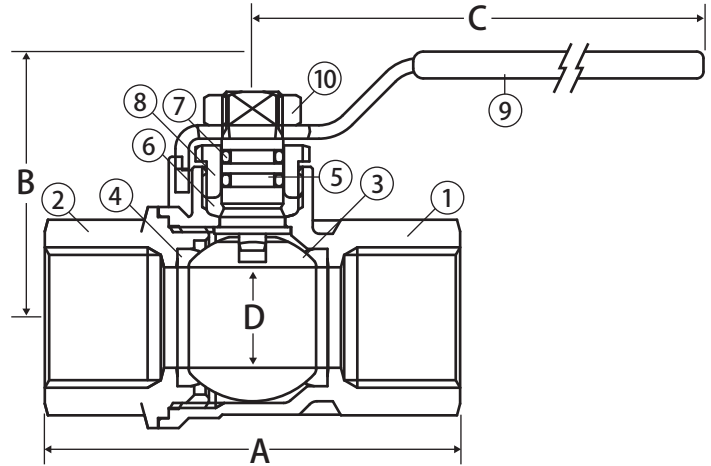


2 Piece • Full Port • Threaded Connection • 600 WOG •  
Stainless Steel Ball and Stem



CRN# 0C16887.5469870YTN

T-100SSE



## Features

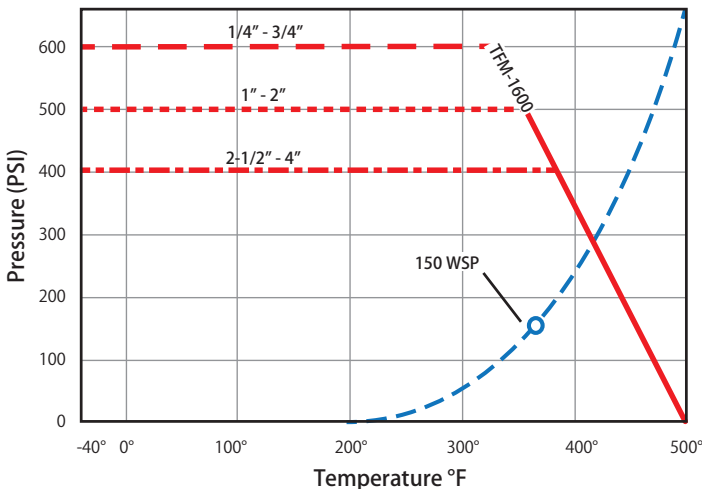
- Blow-out proof stem
- T.E.A. Ternary Eco Alloy® coated body, which prevents dezincification and galvanic corrosion
- Triple sealing stem with 2 Viton® o-rings and Hostaflo® seal
- 100% leak tested
- 100% Made in Italy
- Leakproof stem - Lifetime Warranty
- 29 in-Hg vacuum rating
- Accessories available

## Approvals

- CSA Certified
  - ASME B16.33 (125 PSIG) (1/2" - 2")
  - CGA 3.16 (125 PSIG) (1/4" - 2")
- ANSI B1.20.1
- FM Approval (1/4" - 3/4" 600 WOG, 1" - 2" 500 WOG)
- MSS SP-110

## Valve Seat Rating

1/4" - 3/4" 600 WOG, 1-2" 500 WOG, 2-1/2" - 4" 400 WOG - 150 WSP



## Material Specifications

No.	Part	Materials
1	Body	T.E.A. Coated Brass - CW617N
2	End Connection	T.E.A. Coated Brass - CW617N
3	Ball	316 Stainless Steel
4	Seat (2)	Hostaflo® TFM 1600
5	Stem	316 Stainless Steel
6	Packing	Hostaflo® TFM 1600
7	Stem O-ring (2)	Viton®
8	Packing Gland	Nickel Plated Brass - CW614N
9	Handle	Steel - Geomet® Plated
10	Handle Nut	Steel - Geomet® Plated

## Dimensions

Part No.	Size	A	B	C	D	Cv
100-501	1/4"	1.86	1.41	2.95	0.39	7.66
100-502	3/8"	1.86	1.41	2.95	0.39	7.77
100-503	1/2"	2.45	1.53	2.95	0.59	16.82
100-504	3/4"	2.71	1.95	3.74	0.79	34.80
100-505	1"	3.30	2.40	4.75	0.97	52.20
100-506	1-1/4"	3.80	2.59	4.75	1.23	112.52
100-507	1-1/2"	4.16	3.22	6.00	1.49	174.00
100-508	2"	5.00	3.40	6.00	1.99	255.20
100-509	2-1/2"	6.06	4.60	8.00	2.46	350.32
100-510	3"	7.08	4.90	8.00	2.99	563.76

**WARNING:** This product can expose you to chemicals including lead, which is known to the State of California to cause cancer, and lead, which is known to the State of California to cause birth defects or other reproductive harm. For more information go to [www.P65Warnings.ca.gov](http://www.P65Warnings.ca.gov).