

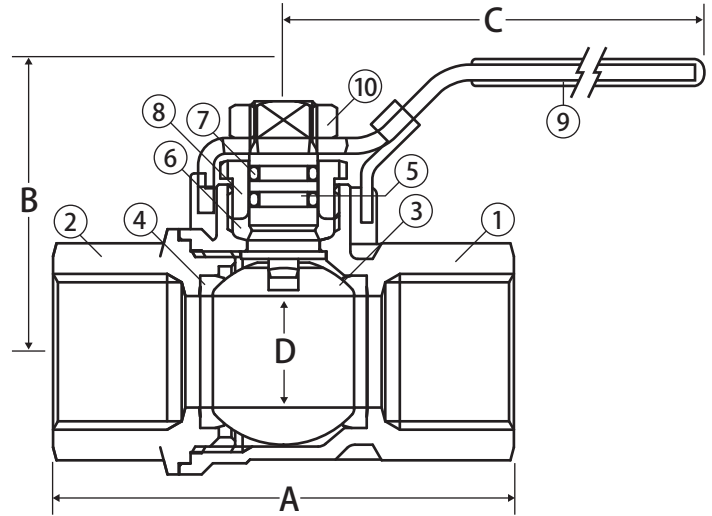
# Brass Ball Valve



**2 Piece • Full Port • Threaded Connections • 600 WOG •  
with Stainless Steel Latch Lock Handle**



**T-100NE-LH**



### Material Specifications

No.	Part	Materials
1	Body	Brass - CW617N
2	End Connection	Brass - CW617N
3	Ball	T.E.A. Coated Brass - CW617N
4	Seat (2)	Hostaflo <sup>®</sup> TFM 1600
5	Stem	Brass - CW614N
6	Packing	Hostaflo <sup>®</sup> TFM 1600
7	Stem O-ring (2)	Viton <sup>®</sup>
8	Packing Gland	Brass - CW614N
9	Handle	Steel - Geomet <sup>®</sup> Plated
10	Handle Nut	Steel - Geomet <sup>®</sup> Plated

### Dimensions

Part No.	Size	A	B	C	D	Cv
100-701LH	1/4"	1.86	1.41	2.95	0.39	7.66
100-702LH	3/8"	1.86	1.41	2.95	0.39	7.77
100-703LH	1/2"	2.45	1.53	2.95	0.59	16.82
100-704LH	3/4"	2.71	1.95	3.74	0.79	34.80
100-705LH	1"	3.30	2.40	4.75	0.97	52.20
100-706LH	1-1/4"	3.80	2.59	4.75	1.23	112.52
100-707LH	1-1/2"	4.16	3.22	6.00	1.49	174.00
100-708LH	2"	5.00	3.40	6.00	1.99	255.20

### Features

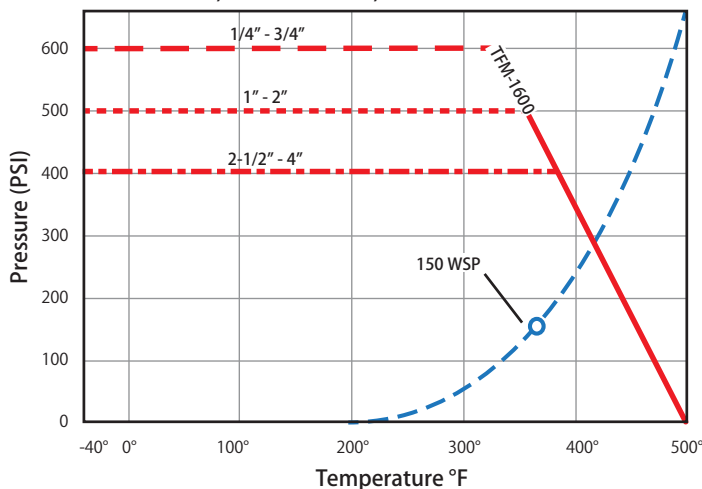
- Blow-out proof stem
- Triple sealing stem with 2 Viton<sup>®</sup> o-rings and Teflon<sup>®</sup> seal
- 100% leak tested
- 100% Made in Italy
- Leakproof stem - Lifetime Warranty
- 29 in-Hg vacuum rating
- Accessories available

### Approvals

- MSS SP-110
- ANSI B1.20.1

### Valve Seat Rating

1/4" - 3/4" 600 WOG, 1-2" 500 WOG, 2-1/2" - 4" 400 WOG - 150 WSP



**WARNING:** This product can expose you to chemicals including lead, which is known to the State of California to cause cancer, and lead, which is known to the State of California to cause birth defects or other reproductive harm. For more information go to [www.P65Warnings.ca.gov](http://www.P65Warnings.ca.gov).

