

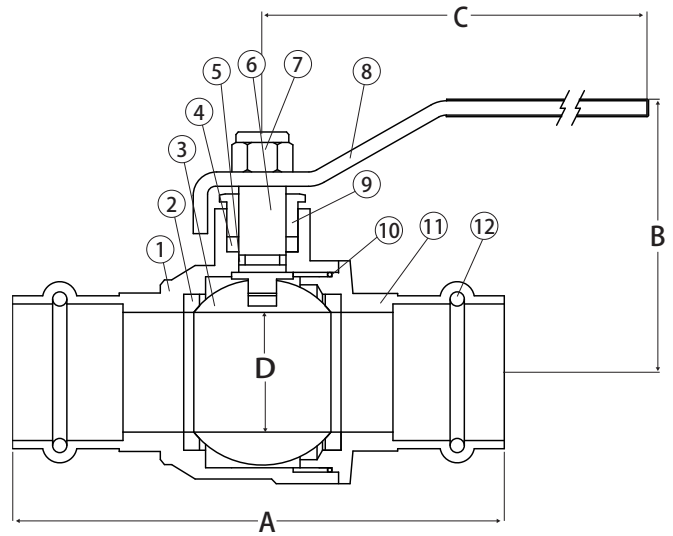
# Lead Free Brass Ball Valve



2 Piece • Full Port • Press Connection • 250 WOG



JP-150G



## Features

- Dezincification resistant brass
- Gland follower and single o-ring stem design
- Blow-out proof stem
- 100% leak tested
- Wetted surfaces contain less than .25% lead content

## Approvals



- NSF 61-8
- NSF 372
- NSF 14
- Conforms to IAPMO PS 117
- RoHS Compliant

## Pressure/Temperature Rating

- 250 WOG
- Max. 250° F



**WARNING:** This product can expose you to chemicals including lead, which is known to the State of California to cause cancer, and lead, which is known to the State of California to cause birth defects or other reproductive harm. For more information go to [www.P65Warnings.ca.gov](http://www.P65Warnings.ca.gov).

## Material Specifications

No.	Part	Materials
1	Body	Lead Free Brass - C46500
2	Seat	PTFE
3	Ball	Lead Free Brass - C46500
4	Packing	PTFE
5	O-ring	Buna-N
6	Stem	Lead Free Brass - C46500
7	Handle Nut	Steel - Chrome Plated
8	Handle	Steel - Chrome Plated
9	Packing Nut	Brass - C37700
10	O-Ring	NBR
11	Cap	Lead Free Brass - C46500
12	O-Ring	EPDM

## Dimensions

Part No.	Size	A	B	C	D
150-203G	1/2"	3.19	1.81	3.46	0.59
150-204G	3/4"	3.60	2.09	4.29	0.75
150-205G	1"	3.92	2.25	4.29	0.98
150-206G	1-1/4"	4.41	2.52	5.63	1.26
150-207G	1-1/2"	5.35	2.74	5.63	1.57
150-208G	2"	6.49	3.03	5.63	1.94

\*Previously listed as JP-100G PxP