

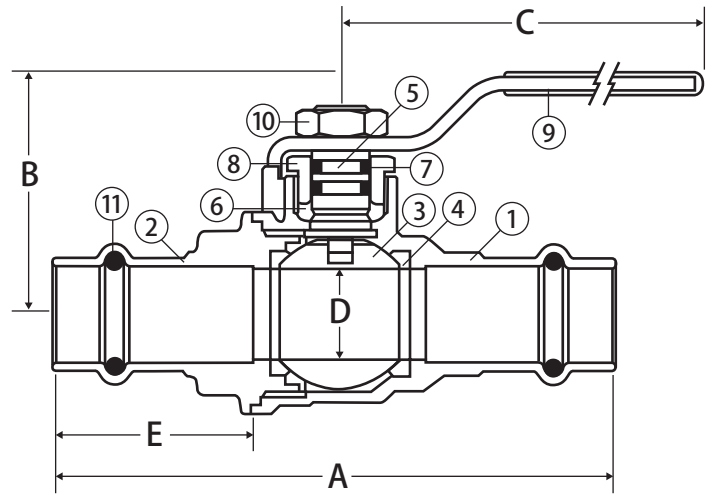
Lead Free Brass Ball Valve



2 Piece • Full Port • Press Connection • with Stainless Steel Ball and Stem • 250 WOG



JP-100SSG



Features


- Dezincification resistant brass alloy
- Triple sealing stem with 2 Viton® o-rings and Teflon® seal
- Blow-out proof stem
- 100% leak tested
- 100% Made in Italy
- Leakproof stem - Lifetime Warranty
- Wetted surfaces contain less than .25% lead content
- Accessories available

Approvals

- NSF 372
- NSF 61-8
- NSF 61 - Annex G
- Conforms to IAPMO PS 117
- Meets ISO 6509

Pressure/Temperature Rating

- 250 WOG
- Max. 250° F

 **WARNING:** This product can expose you to chemicals including lead, which is known to the State of California to cause cancer, and lead, which is known to the State of California to cause birth defects or other reproductive harm. For more information go to www.P65Warnings.ca.gov.

Material Specifications

No.	Part	Materials
1	Body	Lead Free Brass - CW511L
2	End Connection	Lead Free Brass - CW511L
3	Ball	Stainless Steel
4	Seat (2)	Hostaflo® TFM 1600
5	Stem	Stainless Steel
6	Packing	Hostaflo® TFM 1600
7	Stem O-ring (2)	Viton®
8	Packing Gland	Brass - CW614N
9	Handle	Steel - Geomet® Plated
10	Handle Nut	Steel - Geomet® Plated
11	O-ring (2)	EPDM

Dimensions

Part No.	Size	A	B	C	D	E	Cv
100-203SSG	1/2"	3.54	1.53	2.95	0.59	1.24	16.82
100-204SSG	3/4"	3.84	1.95	3.74	0.79	1.28	34.80
100-205SSG	1"	4.31	2.40	4.75	0.97	1.38	52.20
100-206SSG	1-1/4"	4.80	2.59	4.75	1.23	1.30	112.52
100-207SSG	1-1/2"	5.61	3.22	6.00	1.49	1.50	174.00
100-208SSG	2"	7.16	3.40	6.00	1.99	2.01	255.20

