

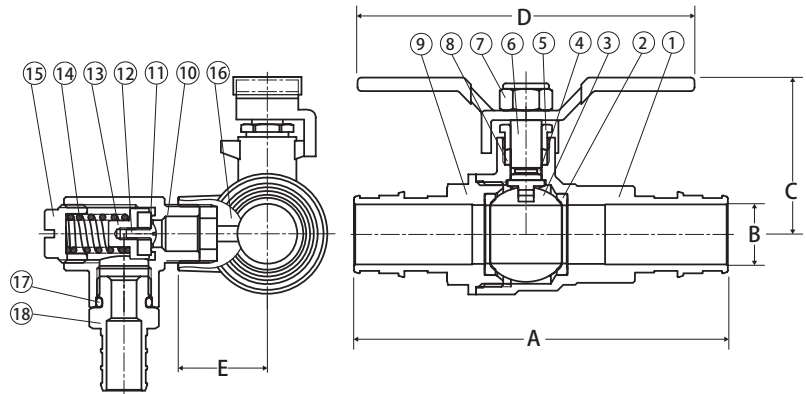
Thermal Expansion Relief



Lead Free Brass • Expansion Pex Connection • 150 WOG



*Included Relief Connections:
 • 3/8" Hose Barb
 • 3/8" Compression
 • 1/2" Crimp Pex



JF-100RVG
 Patent Pending

Features

- Side discharge
- Includes connections: 3/8" Barb, 1/2" Pex, 3/8" Compression fittings
- Available in 80, 100, and 125 PSI
- Body rated to 400 WOG
- Expansion connection rated to 150 WOG up to 200°F
- Stainless steel ball and stem

Approvals

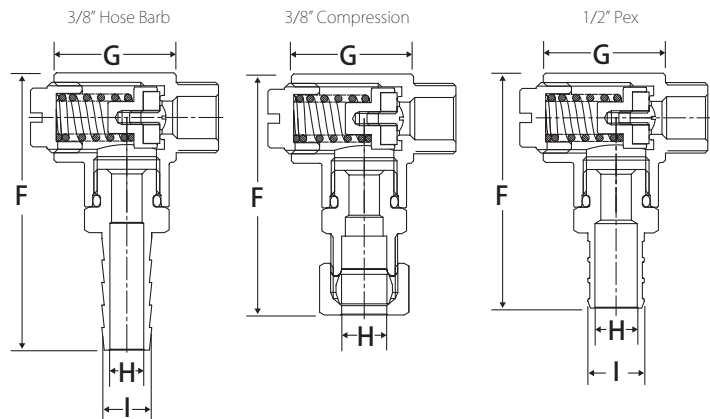
- IAPMO Certified
 - ANSI/NSF 61-08
 - ANSI/NSF 372
- Uniform Plumbing Code (cUPC)
 - IAPMO/ANSI Z1157-2014
 - NSF/ANSI 14-2014
- CSA B125.3 (coming soon)
- ASTM F1960
- RoHS Compliant

Material Specifications

No.	Part	Materials
1	Body	Lead free brass
2	Seat	PTFE
3	Ball	Stainless steel
4	O-ring	FKM
5	Packing nut	Lead free brass
6	Stem	Stainless steel
7	Handle nut	Plated steel
8	Handle	Plated steel
9	Cap	Lead free brass
10	Interface body	Lead free brass
11	Rubber washer	FKM
12	Screw	Stainless steel
13	Plug	Lead free brass
14	Spring	Stainless steel
15	Regulating joint	Lead free brass
16	Rubber washer	FKM
17	O-ring	FKM
18	Fitting	Lead free brass

Valve Body Dimensions

Part No.	Relief Pressure	A	B	C	D	E
104-080RVSSG	80 PSI	3.80	0.61	1.57	3.39	0.91
104-100RVSSG	100 PSI	3.80	0.61	1.57	3.39	0.91
104-125RVSSG	125 PSI	3.80	0.61	1.57	3.39	0.91



Relief Connection Dimensions

Part No.	F	G	H	I
3/8" Hose Barb	1.95	1.02	.28	.42
3/8" Compression	1.65	1.02	.38	-
1/2" Pex	1.59	1.02	.35	.47



WARNING: This product can expose you to chemicals including lead, which is known to the State of California to cause cancer, and lead, which is known to the State of California to cause birth defects or other reproductive harm. For more information go to www.P65Warnings.ca.gov.