

Cast Iron Check Valve

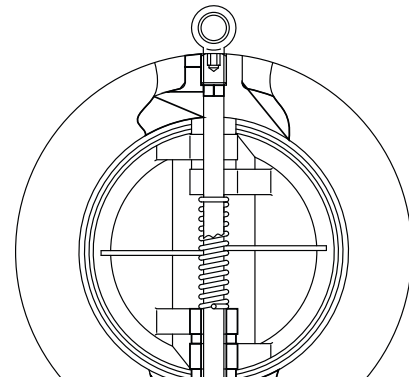
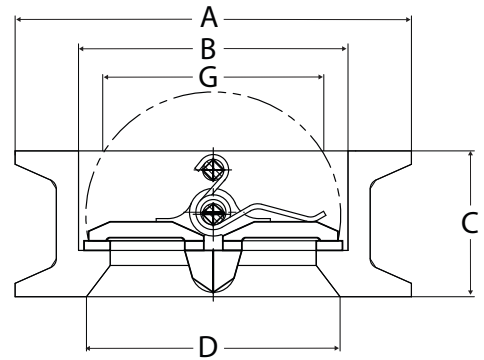
Wafer Style • Double Door • Aluminum Bronze Disc • Class 125



F-591

Pressure Rating

- Class 125
- Lead Free Compliant



Dimensions

Part No.	Size	Weight	A	B	C	D	G
105-925	2-1/2"	5	4.88	3.15	2.12	3.07	1.92
105-903	3"	6	5.38	3.70	2.24	3.46	2.99
105-904	4"	9	6.88	4.61	2.52	4.33	3.83
105-906	6"	15	8.75	6.69	2.99	6.69	5.69
105-908	8"	28	10.98	8.82	3.74	8.74	7.59

Install 5 pipe diameters minimum downstream from pump discharge or changes in direction to avoid flow turbulence. Flow straighteners may be required in extreme cases.

Note: On pump discharge, the preferred check valves are: inline, spring assisted, center-guided, lift checks.

Material Specifications

No.	Part	Materials
1	Body	Cast Iron - ASTM A126 B
2	Washer	PTFE
3	Lower Shaft	Stainless Steel - SS410
4	Spring	Stainless Steel - SS304
5	Disc	Aluminum Bronze - C95400
6	Upper Shaft	Stainless Steel - SS410
7	Seal Washer	NBR
8	Thread Plug	Carbon Steel
9	Lifting Eyebolt	Carbon Steel
10	Seat	NBR