

Direct Mount Ball Valve



**3 Piece 4 Bolt Enclosed • Full Port • Threaded Connection •
2000 WOG • with ISO Mounting Pad**



A2000

Features

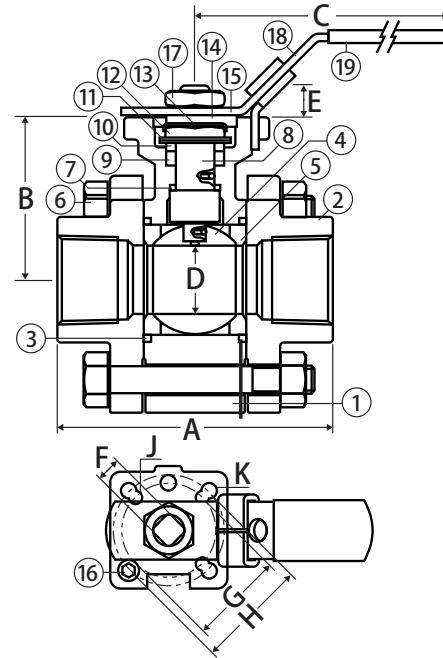
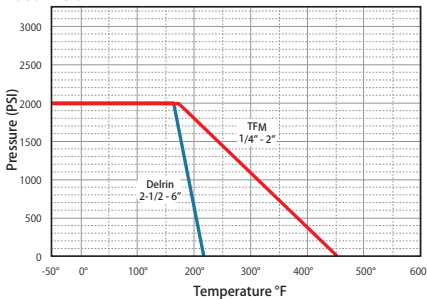
- ISO 5211 direct mounting pad
- Blow out proof stem
- 100 % leak tested
- Wetted surface contains less than .25% lead content
- Latch lock handle may be locked in open or closed position
- Cryogenic handle extension available
- Steam jacket available
- Bolt pattern and quantity vary with size, contact Jomar for more information
- Spring return handle available

Approvals

- Conforms to ANSI B16.34
- MSS SP-110
- ANSI B1.20.1

Valve Seat Rating

2000 WOG



Material Specifications

No.	Part	Materials	No.	Part	Materials
1	Body	CF8M	11	Disc Washer	SS304
2	End Cap	CF8M	12	Stem Nut	SS304
3	Gasket (Body)	TFM	13	Nut Stop	SS304
4	Ball	SS316	14	Space Washer	SS304
5	Ball Seats	TFM/Delrin	15	Plater	SS304
6	Bolts	SS304	16	Stop Pin	SS304
7	Thrust Washer	TFM	17	Handle Nut	SS304
7a	Thrust Washer	PEEK	18	Handle	SS304
8	Stem	SS316	19	Handle Cover	Plastic
8a	Half Split Ring	SS316	20	Set Bolt*	SS304
8b	Anti-Static	SS316	21	Lever Head*	CF8
9	Stem Packing	TFM	22	Lever *	Steel Pipe
10	Gland Washer	SS304			

*Not shown and only on 2-1/2" + valves



WARNING: This product can expose you to chemicals including diisononyl phthalate (DINP), which is known to the State of California to cause cancer, and diisononyl phthalate (DINP), which is known to the State of California to cause birth defects or other reproductive harm. For more information go to www.P65Warnings.ca.gov.

Dimensions

Part No.	Size	A	B	C	D	E	F	G	H	J	K	Torque
A2000-14	1/4"	2.62	1.81	5.12	0.43	0.37	0.35	1.42	1.65	0.24	0.24	71
A2000-38	3/8"	2.62	1.81	5.12	0.49	0.37	0.35	1.42	1.65	0.24	0.24	71
A2000-12	1/2"	2.76	1.89	5.12	0.59	0.37	0.35	1.42	1.65	0.24	0.24	107
A2000-34	3/4"	3.62	2.09	6.10	0.79	0.47	0.43	1.65	1.97	0.24	0.24	133
A2000-1	1"	4.13	2.32	6.10	0.98	0.47	0.43	1.65	1.97	0.24	0.28	160
A2000-114	1-1/4"	4.37	2.44	8.07	1.26	0.57	0.55	1.97	2.76	0.28	0.36	222
A2000-112	1-1/2"	4.88	2.76	8.07	1.50	0.57	0.55	1.97	2.76	0.28	0.36	416
A2000-2	2"	5.91	3.54	11.81	1.97	0.75	0.67	2.76	4.02	0.36	0.45	735
A2000-212	2-1/2"	6.50	4.13	13.78	2.50	0.71	0.67	2.76	4.02	0.36	0.45	1461
A2000-3	3"	7.68	4.69	15.75	3.07	0.98	0.87	4.02	4.92	0.45	0.53	2213
A2000-4	4"	9.65	5.67	14.96	3.90	0.98	0.87	4.02	4.92	0.45	0.53	3364

Note: Torque is in (in-lb)