

Lockwing



Utility Gas Ball Valve • Full Port • Service Bypass • 125 PSIG • with Meter Nut and Swivel Connection



125-LWBP-S

Features


- Tamper resistant lockwing cap
- Meter nut and swivel connects directly to meter
- Lockwing accommodates standard barrel locks
- Maintenance free design
- 2 Viton® o-rings
- 100% leak tested
- 100% Made in Italy
- Leakproof stem - Lifetime Warranty
- Patented security shutter and lockwing tab
 - US Patent no. 6,648,009

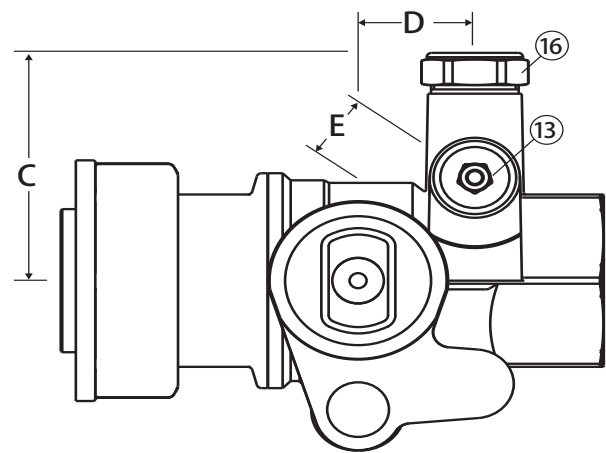
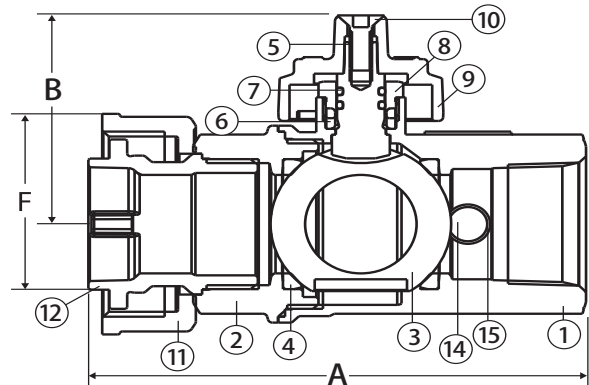
Approvals

- CSA Certified
 - CGA 3.16 (125G)
 - ANSI B16.33 (125G)
- Meets or exceeds applicable part of DOT 192
- MSS SP-110

Pressure Rating

- 125 PSIG
- Temp range: -40°F to 300°F

 **WARNING:** This product can expose you to chemicals including lead, which is known to the State of California to cause cancer, and lead, which is known to the State of California to cause birth defects or other reproductive harm. For more information go to www.P65Warnings.ca.gov.



Material Specifications

No.	Part	Materials
1	Body	Brass - CW617N
2	End Connection	Brass - CW617N
3	Ball	Chrome Plated Brass - CW617N
4	Seat (2)	Hostaflo® TFM 1600
5	Stem	Brass - CW614N
6	Packing	Buna-N
7	Stem O-ring (2)	Viton®
8	Packing Gland	Brass - CW614N
9	Lockwing Cap	Brass - CW617N
10	Screw	304 Stainless Steel
11	Union Nut	Brass - CW617N
12	Tail Piece	Brass - CW617N
13	Bypass Plug	Brass - CW614N
14	Bypass Set Screw	Brass - CW614N
15	Bypass O-ring	Viton®
16	Bypass Cap	Brass - CW614N

Dimensions

Part No.	Size	A	B	C	D	E	F
245-005B	1"	4.21	2.09	2.09	0.94	0.59	20LT
245-105B	1"	4.21	2.09	2.09	0.94	0.59	30LT