



INSTALLATION INSTRUCTIONS

27" (68.6 CM) AND 30" (76.2 CM) ELECTRIC SINGLE AND DOUBLE BUILT-IN OVEN

INSTRUCTIONS D'INSTALLATION

FOUR ÉLECTRIQUE ENCASTRÉ 27" (68,6 CM) ET 30" (76,2 CM) - SIMPLE ET DOUBLE

Table of Contents/Table des matières

BUILT-IN OVEN SAFETY	2	SÉCURITÉ DE LA TABLE DE CUISSON	17
INSTALLATION REQUIREMENTS	3	EXIGENCES D'INSTALLATION	17
Tools and Parts.....	3	Outillage et pièces.....	17
Location Requirements	3	Exigences d'emplacement.....	17
Electrical Requirements	6	Spécifications électriques	20
INSTALLATION INSTRUCTIONS	7	INSTRUCTIONS D'INSTALLATION	21
Prepare Built-In Oven.....	7	Préparation du four encastré	21
Remove Oven Door(s).....	7	Dépose de la/des porte(s) du four	21
Replace Oven Door(s)	7	Réinstallation de la/des porte(s) du four	22
Positioning Oven Feet for Multiple Cabinet Cutout Heights	8	Positionnement des pieds du four pour des ouvertures d'encastrement de hauteur différente	23
Make Electrical Connection	13	Raccordement électrique.....	27
Install Oven.....	14	Installation du four.....	28
Install Warming Drawer Deflector Kit (Only for Ovens Installed above Warming Drawers)	15	Installation de l'ensemble de déflecteur du tiroir-réchaud (uniquement pour les fours installés au-dessus d'un tiroir-réchaud).....	30
Complete Installation	16	Achever l'installation	30

IMPORTANT:

Save for local electrical inspector's use.

IMPORTANT:

À conserver pour consultation par l'inspecteur local des installations électriques.

BUILT-IN OVEN SAFETY

Your safety and the safety of others are very important.

We have provided many important safety messages in this manual and on your appliance. Always read and obey all safety messages.



This is the safety alert symbol.

This symbol alerts you to potential hazards that can kill or hurt you and others.

All safety messages will follow the safety alert symbol and either the word "DANGER" or "WARNING."

These words mean:

! DANGER

You can be killed or seriously injured if you don't immediately follow instructions.

! WARNING

You can be killed or seriously injured if you don't follow instructions.

All safety messages will tell you what the potential hazard is, tell you how to reduce the chance of injury, and tell you what can happen if the instructions are not followed.

INSTALLATION REQUIREMENTS

Tools and Parts

Gather the required tools and parts before starting installation. Read and follow the instructions provided with any tools listed here.

Tools Needed

- Phillips screwdriver
- Measuring tape
- Hand or electric drill (for wall cabinet installations)
- 1" drill bit (for wall cabinet installations)
- Level
- Flat-blade screwdriver

Parts Needed

- UL listed or CSA approved conduit connector
- UL listed wire connectors
- Warming Drawer Deflector Kit (for ovens installed above a warming drawer)
 - Black 27" (68.6 cm) kit
 - Stainless steel 27" (68.6 cm) kit
 - Black 30" (76.2 cm) kit
 - Stainless steel 30" (76.2 cm) kitTo order, see the "Assistance or Service" section of the Use and Care Guide.
- Flush Installation Kit (for single and double installed at flush installation)
 - Black 27" (68.6 cm) kit
 - Stainless steel 27" (68.6 cm) kit
 - Black 30" (76.2 cm) kit
 - Stainless steel 30" (76.2 cm) kitTo order, see the "Assistance or Service" section of the Use and Care Guide.

Parts Supplied

- #8-14 x 1" (2.54 cm) screws - single ovens (2), double ovens (4)
- #8-18 x 3/8" (9.5 mm) screws - bottom vent (2)
- #8-18 x 1/4" (6.6 mm) screws - bottom vent trim (4)
- #8-18 x 3/8" (9.5 mm) screws - double oven feet (4)
- Bottom vent
- Bottom vent trim
- Rear feet - double oven (2)
- Front feet - double oven (2)
- Foam strip - single oven*

Check local codes. Check existing electrical supply. See "Electrical Requirements."

It is recommended that all electrical connections be made by a licensed, qualified electrical installer.

*Foam strip not included with double oven.

Location Requirements

IMPORTANT: Observe all governing codes and ordinances.

- Cabinet opening dimensions that are shown must be used. Given dimensions provide minimum clearance with oven.
- Recessed installation area must provide complete enclosure around the recessed portion of the oven.
- Grounded electrical supply is required. See "Electrical Requirements" section.
- Electrical supply junction box should be located 3" (7.6 cm) maximum below the support surface when the oven is installed in a wall cabinet. A 1" (2.5 cm) minimum diameter hole should have been drilled in the right rear or left rear corner of the support surface to pass the appliance cable through to the junction box.

NOTE: For undercounter installation, it is recommended that the junction box be located in the adjacent right or left cabinet. If you are installing the junction box on rear wall behind oven, it is recommended that the junction box be recessed and located in the upper center of the cabinet.

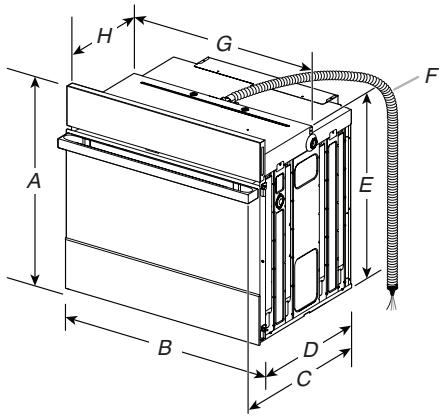
- Oven support surface must be solid, level, and flush with bottom of cabinet cutout.
- Floor must be able to support a single oven weight of 180 lbs (82 kg).
- Floor must be able to support a double oven weight of 357 lbs (162 kg).

IMPORTANT: To avoid damage to your cabinets, check with your builder or cabinet supplier to make sure that the materials used will not discolor, delaminate, or sustain other damage. This oven has been designed in accordance with the requirements of UL and CSA International and complies with the maximum allowable wood cabinet temperatures of 194°F (90°C).

Undercounter Installation (with Cooktop Installed Above):

Refer to the Cutout Dimensions for Ovens Installed Under Cooktop (separate sheet). See product website for list of cooktop models approved for use above select wall-oven models.

Product Dimensions - Single Ovens



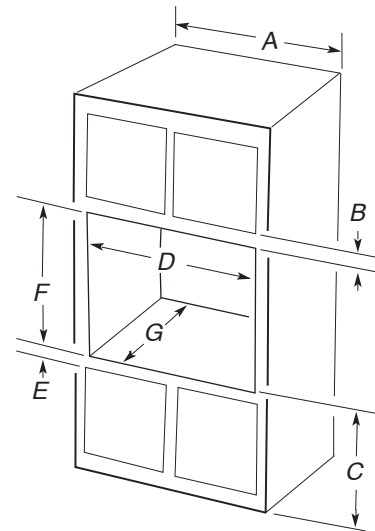
27" (68.6 cm) models

- A. 29⁷/₈" (75.8 cm) max. overall height
- B. 27" (68.6 cm) overall width
- C. JJW2427IM - 26³/₈" (67 cm)
JJW2427IL - 27³/₁₆" (69 cm)
- D. 23¹/₄" (59.1 cm) max. recessed depth
- E. 26³/₄" (67.9 cm) recessed height
- F. 48" (121.9 cm) flexible conduit length
- G. 25⁷/₁₆" (64.6 cm) max. recessed width
- H. 12" (30.5 cm) from back of control panel to start of strain relief

30" (76.2 cm) models

- A. 29⁷/₈" (75.8 cm) max. overall height
- B. 30" (76.2 cm) overall width
- C. JJW2430IM - 26³/₈" (67 cm)
JJW2430IL - 27³/₁₆" (69 cm)
- D. 23¹/₄" (59.1 cm) max. recessed depth
- E. 26³/₄" (67.9 cm) recessed height
- F. 48" (121.9 cm) flexible conduit length
- G. 28⁷/₁₆" (72.2 cm) max. recessed width
- H. 12" (30.5 cm) from back of control panel to start of strain relief

Single Ovens Installed in Cabinet



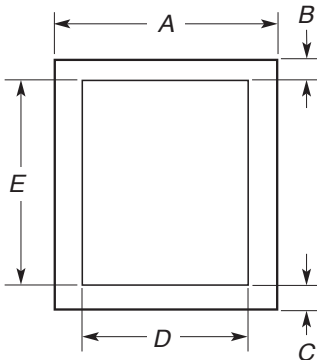
27" (68.6 cm) models

- A. 27" (68.6 cm) min. cabinet width
- B. 2³/₁₆" (5.5 cm) top of cutout to bottom of upper cabinet door
- C. 32" (81.3 cm) bottom of cutout to floor
- D. 25¹/₂" (64.8 cm) cutout width
- E. 1¹/₂" (3.8 cm) min. bottom of cutout to top of cabinet door
- F. 28" (71.2 cm)* recommended cutout height
- G. 24" (60.7 cm) cutout depth

30" (76.2 cm) models

- A. 30" (76.2 cm) min. cabinet width
- B. 2³/₁₆" (5.5 cm) top of cutout to bottom of upper cabinet door
- C. 32" (81.3 cm) bottom of cutout to floor
- D. 28¹/₂" (72.4 cm) cutout width
- E. 1¹/₂" (3.8 cm) min. bottom of cutout to top of cabinet door
- F. 28" (71.2 cm)* recommended cutout height
- G. 24" (60.7 cm) cutout depth

Cabinet Dimensions - Single Ovens



27" (68.6 cm) models

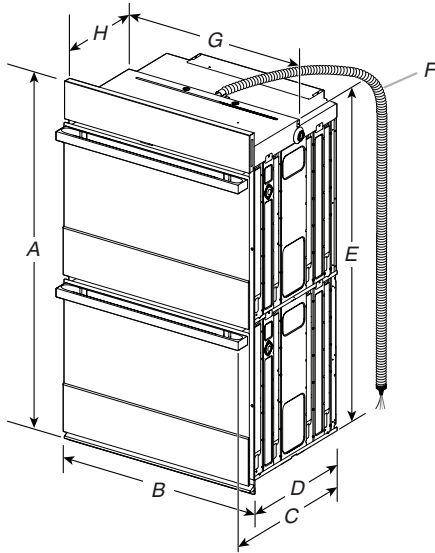
- A. 27" (68.6 cm) min. cabinet width
- B. 1¹/₂" (3.8 cm) min. top of cutout to underside of countertop
- C. 5¹/₄" (13.3 cm) bottom of cutout to floor
- D. 25¹/₂" (64.8 cm) cutout width
- E. 28" (71.2 cm) min. cutout height

30" (76.2 cm) models

- A. 30" (76.2 cm) min. cabinet width
- B. 1¹/₂" (3.8 cm) min. top of cutout to underside of countertop
- C. 5¹/₄" (13.3 cm) bottom of cutout to floor
- D. 28¹/₂" (72.4 cm) cutout width
- E. 28" (71.2 cm) min. cutout height

*NOTE: The cutout height can be between 26¹⁵/₁₆" and 29⁷/₁₆" (68.4 cm and 74.8 cm) for single ovens.

Product Dimensions - Double Ovens



27" (68.6 cm) models

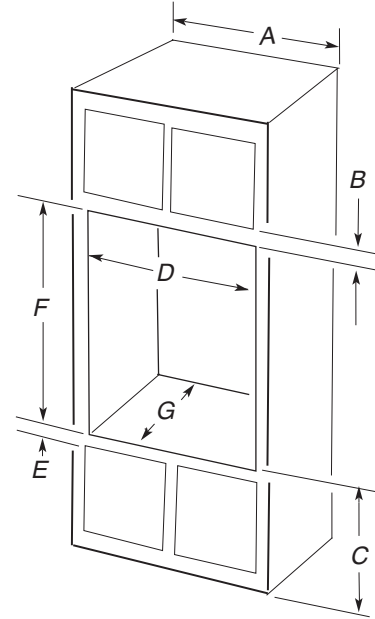
- A. 52³/₈" (133 cm) max. overall height
- B. 27" (68.6 cm) overall width
- C. JJW2827IM - 26³/₈" (67 cm)
JJW2827IL - 27³/₁₆" (69 cm)
- D. 23¹/₄" (59.1 cm) max. recessed depth
- E. 48¹³/₁₆" (124 cm) recessed height
- F. 66" (167.6 cm) flexible conduit length
- G. 25⁷/₁₆" (64.6 cm) max. recessed width
- H. 12" (30.5 cm) from back of control panel to start of strain relief

30" (76.2 cm) models

- A. 52³/₈" (133 cm) max. overall height
- B. 30" (76.2 cm) overall width
- C. JJW2830IM - 26³/₈" (67 cm)
JJW2830IL - 27³/₁₆" (69 cm)
- D. 23¹/₄" (59.1 cm) max. recessed depth
- E. 48¹³/₁₆" (124 cm) recessed height
- F. 66" (167.6 cm) flexible conduit length
- G. 28⁷/₁₆" (72.2 cm) max. recessed width
- H. 12" (30.5 cm) from back of control panel to start of strain relief

Cabinet Dimensions - Double Ovens

Double Ovens Installed in Cabinet



27" (68.6 cm) models

- A. 27" (68.6 cm) min. cabinet width
- B. 2³/₁₆" (5.5 cm) top of cutout to bottom of upper cabinet door
- C. 14³/₄" (37.5 cm) bottom of cutout to floor is recommended.
4"-14³/₄" (10.2-37.5 cm) bottom of cutout to floor is acceptable.
- D. 25¹/₂" (64.8 cm) cutout width
- E. 1¹/₂" (3.8 cm) min. bottom of cutout to top of cabinet door
- F. 50¹/₄" (127.6 cm)* recommended cutout height
- G. 24" (60.7 cm) cutout depth

30" (76.2 cm) models

- A. 30" (76.2 cm) min. cabinet width
- B. 2³/₁₆" (5.5 cm) top of cutout to bottom of upper cabinet door
- C. 14³/₄" (37.5 cm) bottom of cutout to floor is recommended.
4"-14³/₄" (10.2-37.5 cm) bottom of cutout to floor is acceptable.
- D. 28¹/₂" (72.4 cm) cutout width
- E. 1¹/₂" (3.8 cm) min. bottom of cutout to top of cabinet door
- F. 50¹/₄" (127.6 cm)* recommended cutout height
- G. 24" (60.7 cm) cutout depth

***NOTE:** The cutout height can be between 48⁷/₈" and 52³/₁₆" (124.1 cm and 132.6 cm) for double ovens.

Electrical Requirements

If codes permit and a separate ground wire is used, it is recommended that a qualified electrical installer determine that the ground path and the wire gauge are in accordance with local codes.

Check with a qualified electrical installer if you are not sure the oven is properly grounded.

This oven must be connected to a grounded metal, permanent wiring system.

Be sure that the electrical connection and wire size are adequate and in conformance with the National Electrical Code, ANSI/NFPA 70-latest edition or CSA Standards C22.1-94, Canadian Electrical Code, Part 1 and C22.2 No. O-M91-latest edition, and all local codes and ordinances.

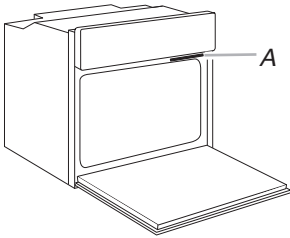
A copy of the above code standards can be obtained from:

National Fire Protection Association
1 Batterymarch Park
Quincy, MA 02169-7471
CSA International
8501 East Pleasant Valley Road
Cleveland, OH 44131-5575

Electrical Connection

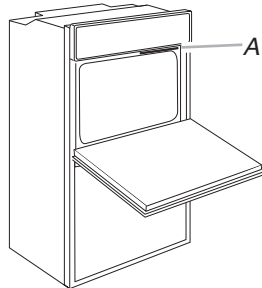
To properly install your oven, you must determine the type of electrical connection you will be using and follow the instructions provided for it here.

- Oven must be connected to the proper electrical voltage and frequency as specified on the model/serial/rating plate. The model/serial/rating plate is located under the control panel on single ovens and under the control panel on the upper oven cavity on double ovens. See the following illustrations.



Single Oven

A. Model/serial/rating plate



Double Oven

A. Model/serial/rating plate

- Models rated from 7.3 to 9.6 kW at 240 V (5.4 to 7.4 kW at 208 V) require a separate 40 A circuit. Models rated at 4.8 kW and below at 240 V (3.6 kW and below at 208 V) require a separate 20 A circuit.
- A circuit breaker is recommended.
- Connect directly to the circuit breaker box (or fused disconnect) through flexible, armored or nonmetallic sheathed, copper cable (with grounding wire). See "Make Electrical Connection" section.
- Flexible conduit from the oven should be connected directly to the junction box.
- Fuse both sides of the line.
- Do not cut the conduit. The length of conduit provided is for serviceability of the oven.
- A UL listed or CSA approved conduit connector must be provided.
- If the house has aluminum wiring, follow the procedure below:

Connect the aluminum wiring using special connectors and/or tools designed and UL listed for joining copper to aluminum.

Follow the electrical connector manufacturer's recommended procedure. Aluminum/copper connection must conform with local codes and industry accepted wiring practices.

For power requirements for models JJW2430I, JJW2427I, JJW2830I, and JJW2827I refer to the following table.

Model	240 VAC	208 VAC
	kW	kW
JJW2430I	4.1	3.1
JJW2427I	4.1	3.1
JJW2830I	8.7	6.5
JJW2827I	8.7	6.5

INSTALLATION INSTRUCTIONS

Prepare Built-In Oven

1. Decide on the final location for the oven. Avoid drilling or cutting into house wiring during installation.

! WARNING

Excessive Weight Hazard

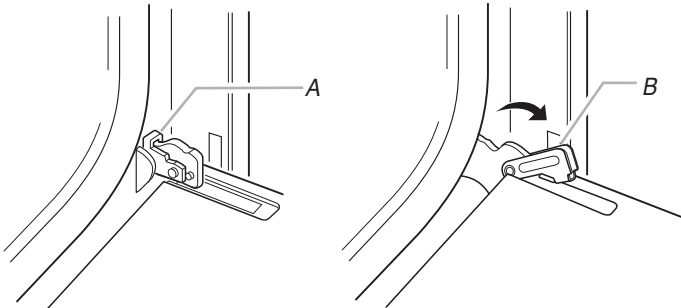
**Use two or more people to move and install oven.
Failure to do so can result in back or other injury.**

2. To avoid floor damage, set the oven onto cardboard prior to installation. Do not use handle or any portion of the front frame for lifting.
3. Remove the shipping materials and tape from the oven. Remember to keep the corner posts and other materials that may be needed for installation.
4. Remove the hardware package from inside the bag containing literature.
5. Remove and set aside racks and other parts from inside the oven.
6. Move oven and cardboard close to the oven's final location.

Remove Oven Door(s)

IMPORTANT: Use two hands to remove oven door. For double ovens, repeat the process for each door.

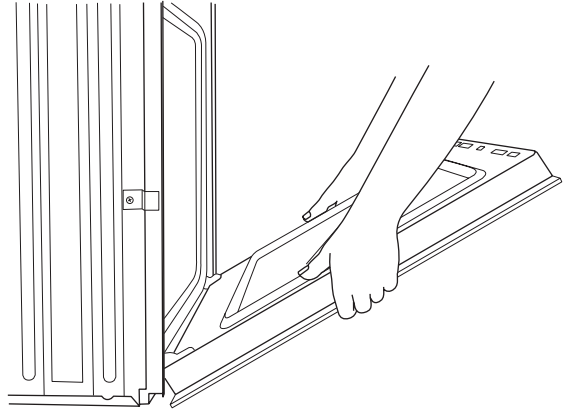
1. Prior to removing the oven door, prepare a surface where you will place it. This surface should be flat and covered with a soft blanket, or use the corner posts from your packaging material.
2. Open the oven door.
3. Locate the oven door hinge locks in both corners of the oven door, and then rotate the hinge locks toward the oven door to the unlocked position. If the door hinge lock is not rotated fully (see illustration B), the door will not remove properly.



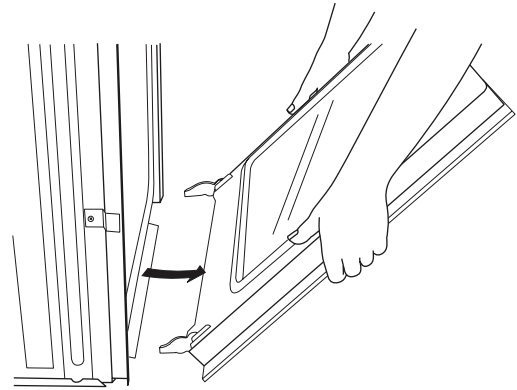
A. Oven door hinge lock in locked position

B. Oven door hinge lock in partially unlocked position

4. Partially close the door to engage the door latch locks. The door will stop at this point.



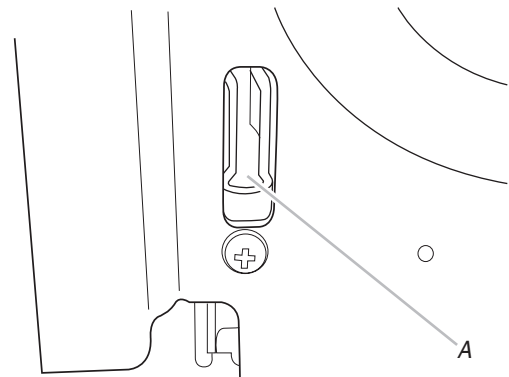
5. Using two hands, grasp the edges of the oven door. Lift and pull the oven door toward you and remove. You may need to gently shift door from side to side as you pull.



6. Set the oven door(s) aside on the prepared covered work surface with the oven door resting on its handle.
7. To continue with the oven installation, go to the "Positioning Oven Feet for Multiple Cabinet Cutout Heights" section.

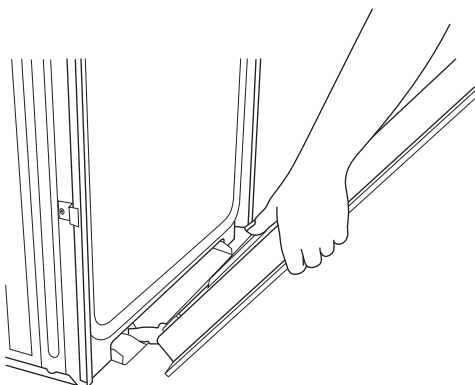
Replace Oven Door(s)

1. Using two hands, grasp side edges of door at the midpoint. Face the oven cavity.
2. Locate the slots on each side of the oven cavity for the door hinge locks.



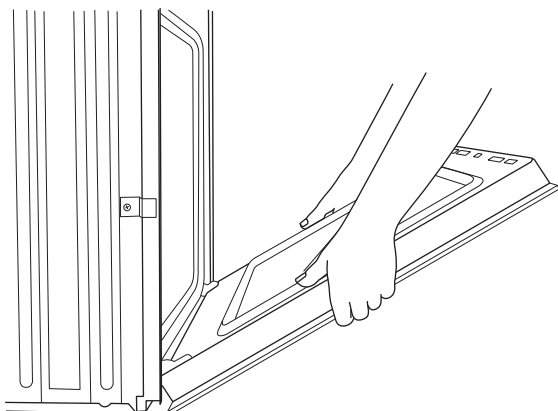
A. Slot in the oven cavity for door hinge lock

- At a 45° angle, align door hinges with slots in the lower front of the oven cavity. Slowly insert door, making sure you maintain the 45° angle. You will know the door is engaged in the slot when you feel a slight drop.



- Lower the oven door to the fully open position. If the oven door does not open to a full 90°, repeat steps 1 through 3.
- Locate the oven door hinge locks in the corners of the oven door, and rotate the hinge locks toward the oven cavity to the locked position.

See Step 3 (illustration A) in the "Remove Oven Door(s)" section for proper locked position.



- Close the oven door.
- When the hinges are properly installed and the door closed, there should be an even gap between the door and the control panel. If one side of the oven door is hanging lower than the other, the hinge on that side is not properly installed.

Positioning Oven Feet for Multiple Cabinet Cutout Heights

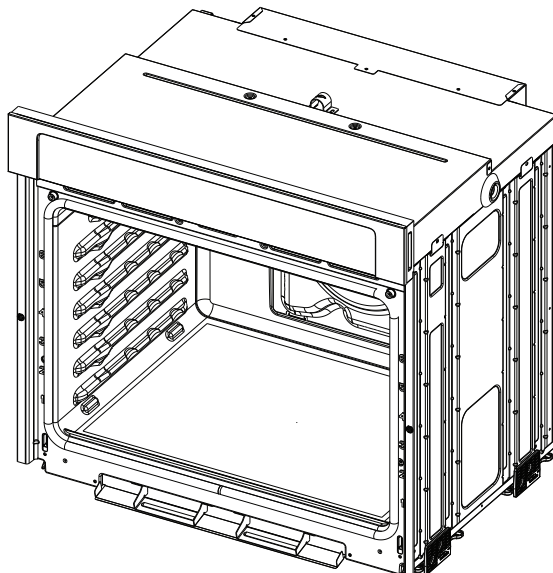
Single Ovens

The positioning of the oven feet allow a single oven to be installed in a cutout height between 26¹⁵/₁₆" and 29⁷/₁₆" (68.4 cm and 74.8 cm). Refer to the following instructions to position the feet for the size of your cabinet cutout.

Cutout Height Is Between 27⁵/₈" and 28⁵/₈" (70.2 cm and 72.7 cm)

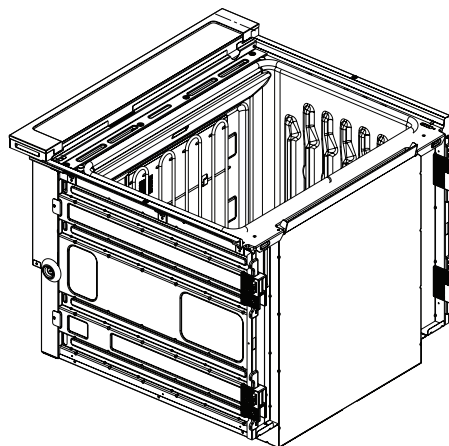
The oven feet do not need to be changed. They are positioned correctly as received.

Go to the "Make Electrical Connection" section.



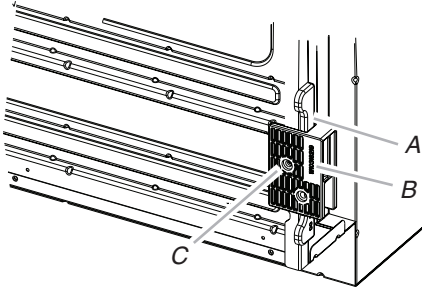
Cutout Height Is Between 26¹⁵/₁₆" and 27¹¹/₁₆" (68.4 cm and 70.3 cm)

- Using 2 or more people, place the oven on its back on a covered surface.



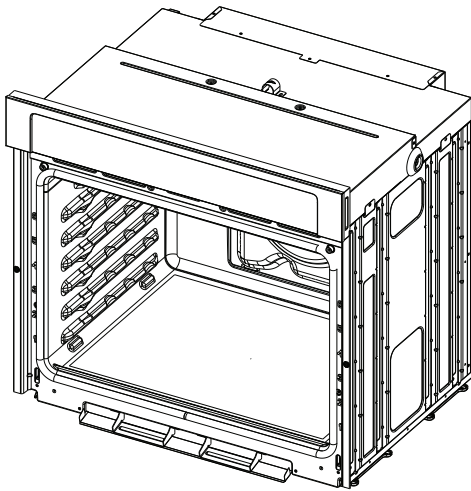
- Remove the foot from the right front spacer by removing the #8-18 x 3/8" (9.5 mm) screw.

NOTE: Do not remove the spacer.



A. Spacer
B. Foot
C. #8-18 x 3/8" (9.5 mm) screw

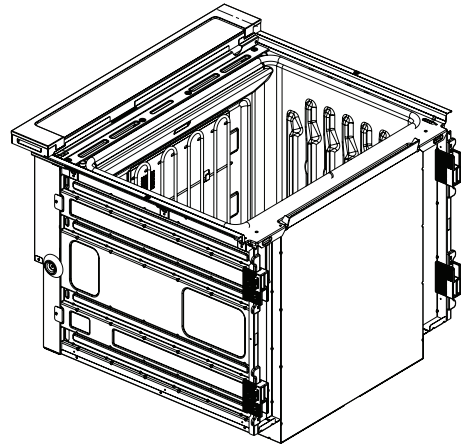
- In the same manner, remove the feet on the right rear, left front, and left rear of the oven.
- Using 2 or more people, place the oven in its upright position.



- Go to the "Make Electrical Connection" section.

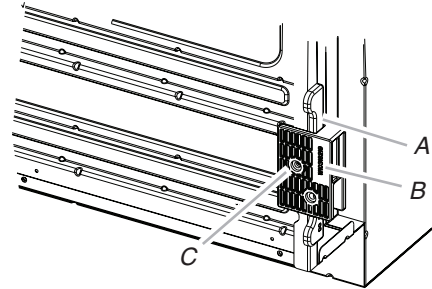
Cutout Height Is Between 28¹/₁₆" and 29⁷/₁₆" (72.8 cm and 74.8 cm)

- Using 2 or more people, place the oven on its back on a covered surface.



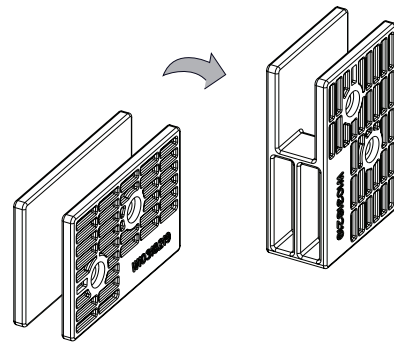
- Remove the foot from the right front spacer by removing the #8-18 x 3/8" (9.5 mm) screw.

NOTE: Do not remove the spacer.



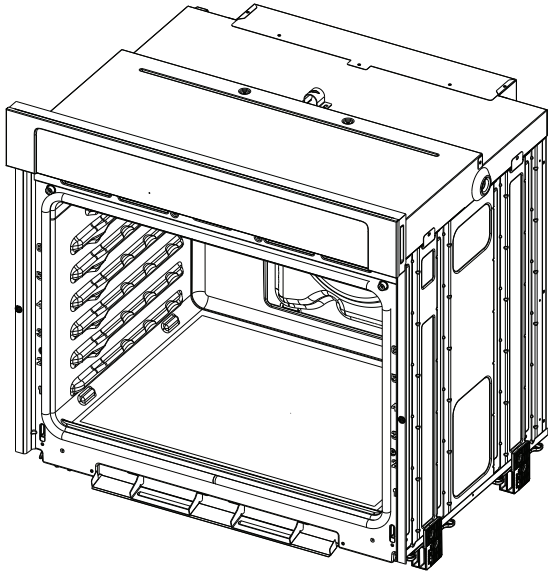
A. Spacer
B. Foot
C. #8-18 x 3/8" (9.5 mm) screw

- Rotate the foot 90°, so the short side of the foot is positioned toward the top of the oven.



- Reinstall the foot to the spacer using the #8-18 x 3/8" (9.5 mm) screw previously removed.
- In the same manner, remove, rotate, and reinstall the feet on the right rear, left front, and left rear of the oven.

6. Using 2 or more people, place the oven in its upright position.



7. Go to the "Make Electrical Connection" section.

Double Ovens

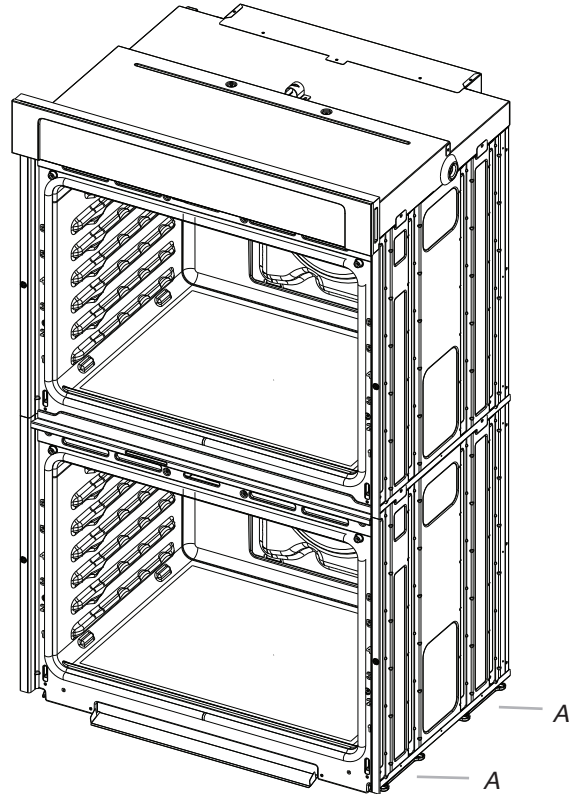
The positioning of the oven feet allow a double oven to be installed in a cutout height between $48\frac{7}{8}$ " and $52\frac{3}{16}$ " (124.1 cm and 132.6 cm). Refer to the following instructions to position the feet for the size of your cabinet cutout.

Cutout Height Is Between $48\frac{7}{8}$ " and $50\frac{7}{16}$ " (124.1 cm and 128.1 cm)

The oven feet do not need to be installed. The oven is configured correctly as received.

NOTE: Do not remove the spacers.

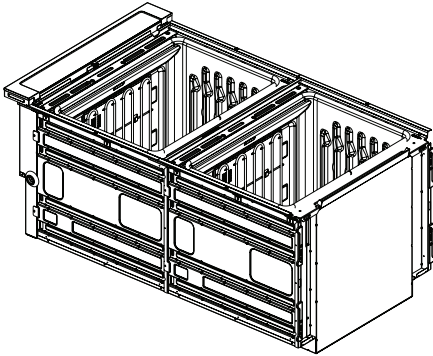
Go to the "Make Electrical Connection" section.



A. Spacers

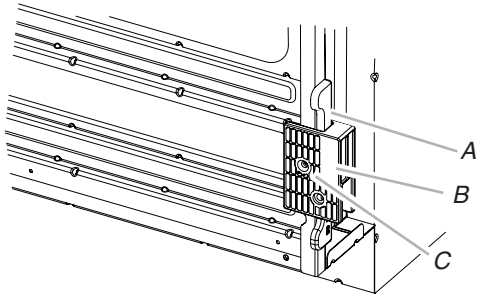
Cutout Height Is Between 50½" and 51⅛"
(128.2 cm and 129.9 cm)

1. Using 2 or more people, place the oven on its back on a covered surface.



2. Install a foot on the left rear spacer using a #8-18 x 3/8" (9.5 mm) screw.

NOTE: Position the foot, so the long side of the foot is facing toward the top of the oven.

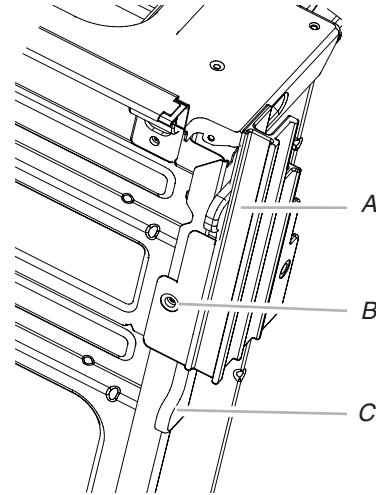


A. Spacer
B. Foot
C. #8-18 x 3/8" (9.5 mm) screw

3. In the same manner, install a foot on the right rear of the oven.

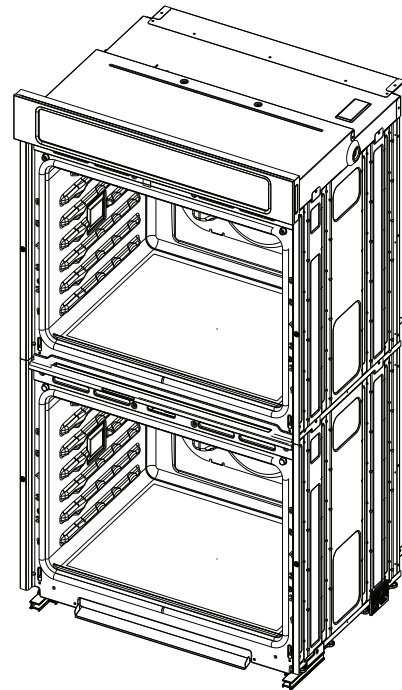
4. Install a front foot on the left front spacer using a #8-18 x 3/8" (9.5 mm) screw.

NOTE: Position the foot, so the long side of the foot is facing toward the inside of the oven.



A. Front foot
B. #8-18 x 3/8" (9.5 mm) screw
C. Spacer

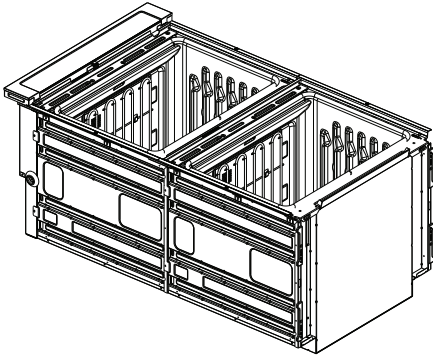
5. In the same manner, install a front foot on the right front of the oven.
6. Using 2 or more people, place the oven in its upright position.



7. Go to the "Make Electrical Connection" section.

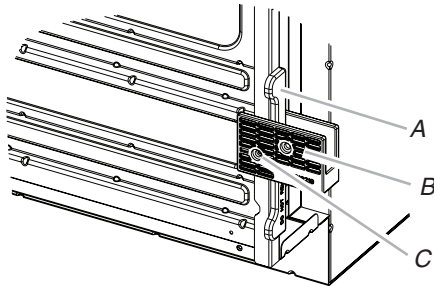
**Cutout Height Is Between 51³/₁₆" and 52³/₁₆"
(130 cm and 132.6 cm)**

1. Using 2 or more people, place the oven on its back on a covered surface.



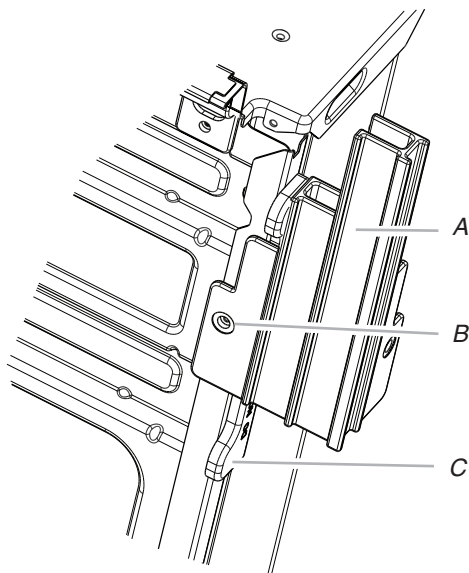
2. Install a foot on the left rear spacer using a #8-18 x 3/8" (9.5 mm) screw.

NOTE: Position the foot, so the short side of the foot is facing toward the top of the oven.



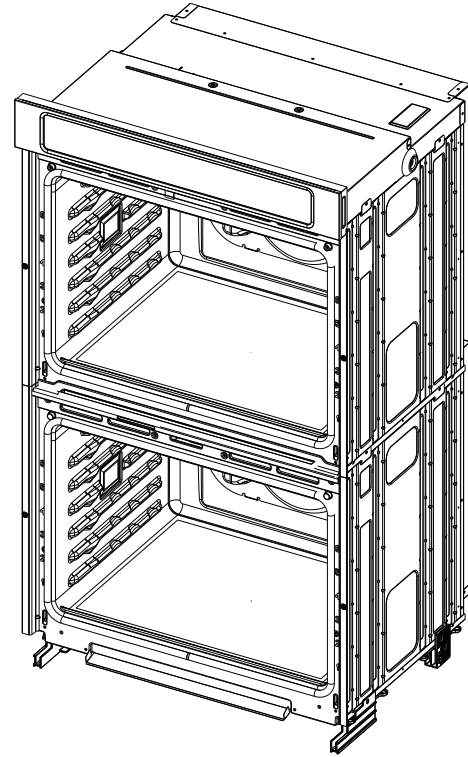
- A. Spacer
- B. Foot
- C. #8-18 x 3/8" (9.5 mm) screw

3. In the same manner, install a foot on the right rear of the oven.
4. Install a front foot on the left front using a #8-18 x 3/8" (9.5 mm) screw.
NOTE: Position the foot, so the long side of the foot is facing toward the top of the oven.



- A. Front foot
- B. #8-18 x 3/8" (9.5 mm) screw
- C. Spacer

5. In the same manner, install a front foot on the right front of the oven.
6. Using 2 or more people, place the oven in its upright position.



7. Go to the "Make Electrical Connection" section.

Make Electrical Connection

For Double Ovens

⚠️ WARNING



Electrical Shock Hazard

Disconnect power before servicing.

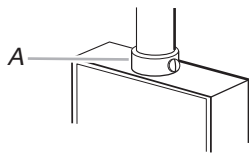
Use 8 gauge copper wire.

Electrically ground oven.

Failure to follow these instructions can result in death, fire, or electrical shock.

This oven is manufactured with a neutral (white) power supply wire and a cabinet-connected green (or bare) ground wire twisted together.

1. Disconnect power.
2. Feed the flexible conduit from the oven through the opening in the cabinet.
3. Remove junction box cover if it is present.
4. Install a UL listed or CSA approved conduit connector to the junction box.

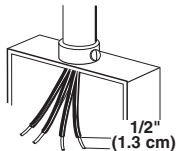


A. UL listed or CSA approved conduit connector

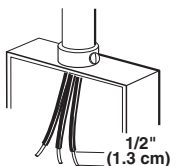
5. Route the flexible conduit from the oven to the junction box through a UL listed or CSA approved conduit connector.
6. Tighten screws on conduit connector.
7. See “Electrical Connection Options Chart” to complete installation for your type of electrical connection.

Electrical Connection Options Chart

If your home has:	Go to section:
4-wire	4-Wire Cable from Home Power Supply



3-wire	3-Wire Cable from Home Power Supply
--------	-------------------------------------



For Single Ovens

⚠️ WARNING



Electrical Shock Hazard

Disconnect power before servicing.

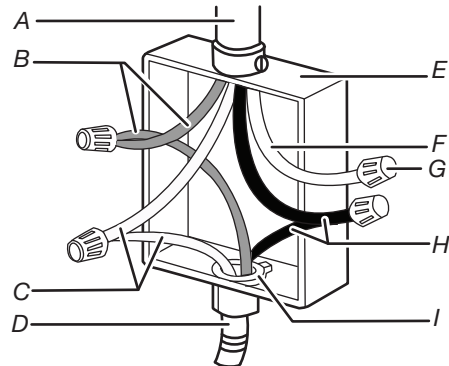
Use 12 gauge copper wire.

Electrically ground oven.

Failure to follow these instructions can result in death, fire, or electrical shock.

4-Wire Cable from Home Power Supply

IMPORTANT: Use the 4-wire cable from home power supply in the U.S. where local codes do not allow grounding through neutral, new branch circuit installations (1996 NEC), mobile homes and recreational vehicles, new construction, and in Canada.

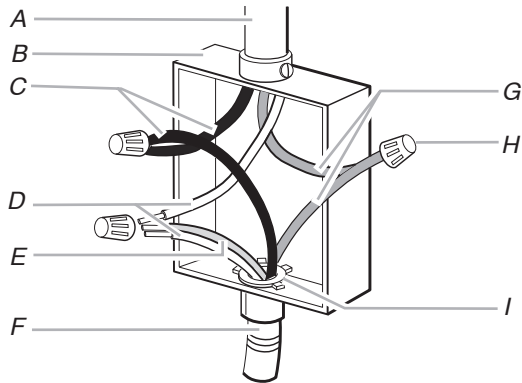


- | | |
|--------------------------------------|--|
| A. Cable from home power supply | F. White wires |
| B. Black wires | G. UL listed wire connectors |
| C. Red wires | H. Green (or bare) ground wires |
| D. 4-wire flexible conduit from oven | I. UL listed or CSA approved conduit connector |
| E. Junction box | |

1. Connect the 2 black wires (B) together using a UL listed wire connector.
2. Connect the 2 red wires (C) together using a UL listed wire connector.
3. Untwist white wire from green (or bare) ground wire coming from the oven.
4. Connect the 2 white wires (F) together using a UL listed wire connector.
5. Connect the green (or bare) ground wire (H) from the oven cable to the green (or bare) ground wire (in the junction box) using a UL listed wire connector.
6. Install junction box cover.

3-Wire Cable from Home Power Supply - U.S. Only

IMPORTANT: Use the 3-wire cable from home power supply where local codes permit a 3-wire connection.



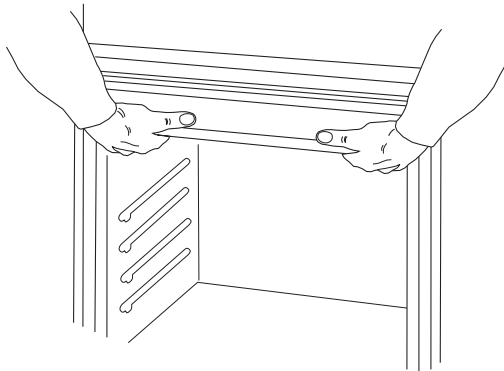
- | | |
|--|--|
| A. Cable from home power supply | F. 4-wire flexible conduit from oven |
| B. Junction box | G. Red wires |
| C. Black wires | H. UL listed wire connectors |
| D. White wires | I. UL listed or CSA approved conduit connector |
| E. Green (or bare) ground wire (from oven) | |

1. Connect the 2 black wires (C) together using a UL listed wire connector.
2. Connect the 2 white wires (D) and the green (or bare) ground wire (of the oven cable) using a UL listed wire connector.
3. Connect the 2 red wires (G) together using a UL listed wire connector.
4. Install junction box cover.

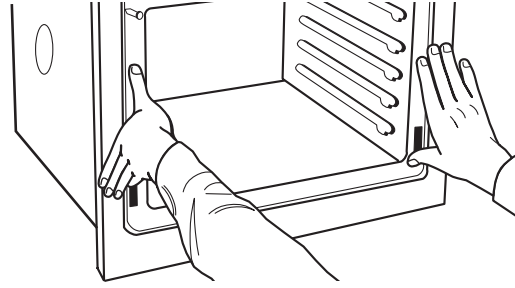
Install Oven

1. Using 2 or more people, lift the oven partially into the cabinet cutout. Use the oven opening as an area to grip.

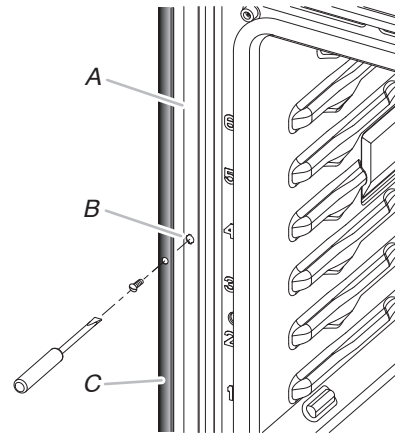
NOTE: Push against seal area of the oven front frame when pushing the oven into the cabinet. Do not push against the outside edges.



2. Push against the seal area of the front frame to push the oven into the cabinet until the back surface of the front frame touches the front wall of the cabinet.



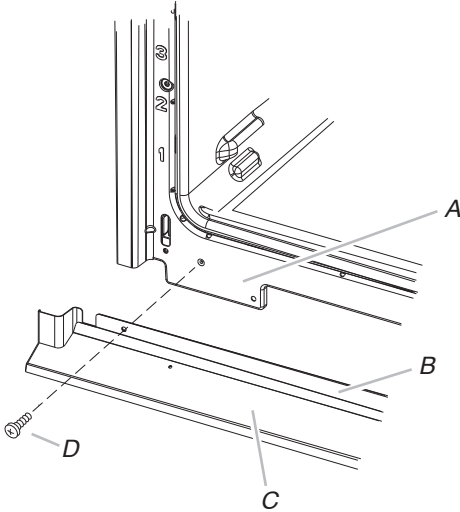
3. Push oven completely into the cabinet, and center the oven into the cabinet cutout.
4. Remove the tape from black front trims.
 - Securely fasten the oven to the cabinet using the #8-14 x 3/4" (1.9 cm) screws provided.
 - Insert the screws through hole in black trim aligning with hole in oven frame. Do not overtighten screws.



- | |
|---------------------|
| A. Oven frame |
| B. Oven frame hole |
| C. Black trim piece |

5. The bottom vent and bottom vent trim (required when the oven is installed with the feet in the tall position) are shipped in the foam packing at the top of the oven. To install only the bottom vent, see the following instructions. To install both the bottom vent and the bottom vent trim for installations with the feet in the tall position, see the instructions in Step 6.

- Align vent tab (B) with oven frame (A) as shown.
- Using one #8-18 x 3/8" (9.5 mm) screw (D) on each side of the vent tab (B), fasten the vent securely to the oven.

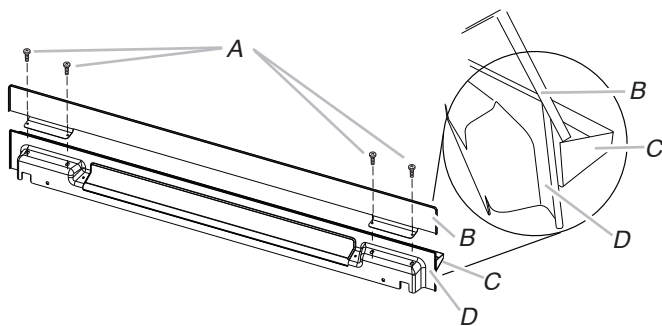


A. Oven frame
B. Vent tab
C. Oven vent
D. #8-18 x 3/8" (9.5 mm) screws

6. On models with the feet installed in the tall position, the bottom vent trim must also be installed. See the following instructions to install.

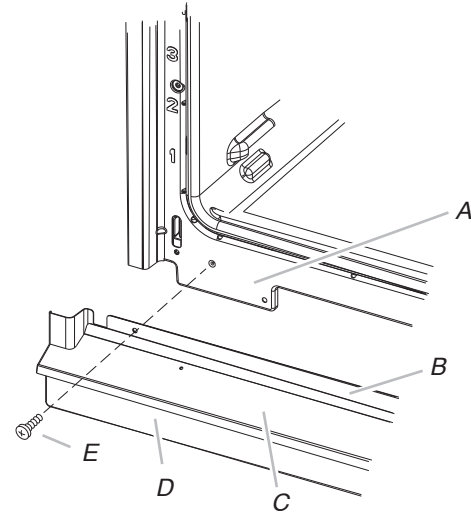
- Flex the upper vent piece (C) away from the lower vent piece (D) to slide the bottom vent trim (B) between them. Some force may be required to flex the upper vent trim (C) away from the lower vent trim (D). Some force may also be required to flex the bottom vent trim (B) and slide it into position. Make sure screw holes are properly aligned between the two pieces. See the following illustration.
- Install the bottom vent trim (B) to the lower vent piece (D) using two #8-18 x 1/4" (6.4 mm) screws on each side.

NOTE: On 27" (68.6 cm) models, only one #8-18 x 1/4" (6.4 mm) screw is used on each side.



A. #8-18 x 1/4" (6.4 mm) screw
B. Bottom vent trim
C. Upper vent piece
D. Lower vent piece

- Align vent tab (B) with oven frame (A) as shown.
- Using one #8-18 x 3/8" (9.5 mm) screw (E) on each side of the vent tab (B), fasten the vent securely to the oven.



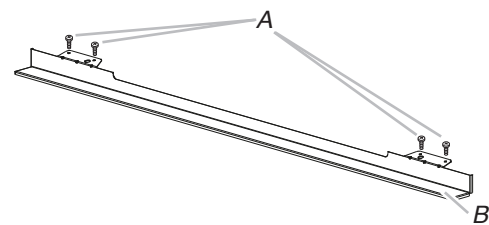
A. Oven frame
B. Vent tab
C. Oven vent
D. Bottom vent trim
E. #8-18 x 3/8" (9.5mm) screw

7. Replace the oven racks.
8. Replace the oven door. See the "Replace Oven Door(s)" section.
9. Check that the door is free to open and close. If it is not, repeat the removal and installation procedures. See the "Prepare Built-In Oven" section.
10. Repeat for lower oven door.
11. Reconnect power.
12. The display panel will light briefly, and "PF" should appear in the display.
13. If the display panel does not light, refer to the "Warranty."

Install Warming Drawer Deflector Kit (Only for Ovens Installed above Warming Drawers)

On single and double oven models installed above a warming drawer, a warming drawer deflector kit must be installed. See the "Tools and Parts" section for information on ordering.

Parts Supplied in Deflector Kit

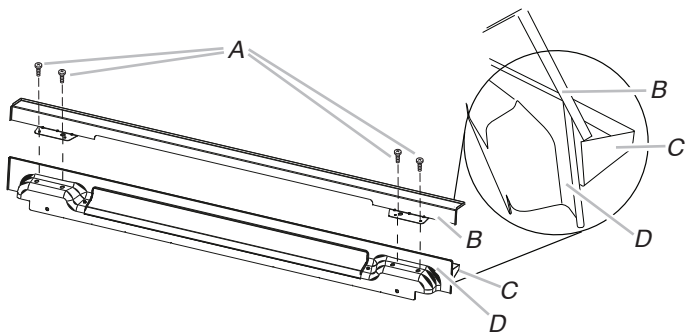


A. Phillips head screws (4)
only 2 screws for 27" (68.6 cm) size
B. Warming drawer deflector (1)

Install Deflector Kit

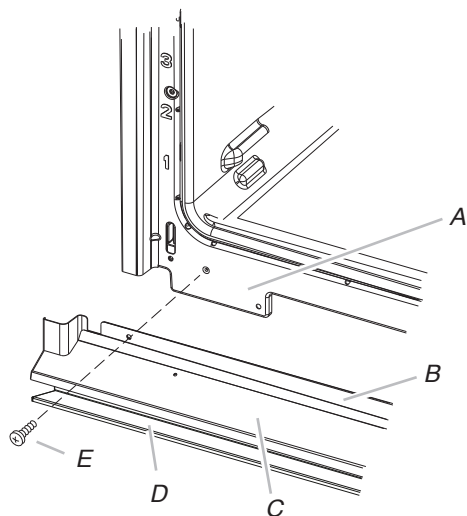
1. Flex the upper vent piece (C) away from the lower vent piece (D) to slide the warming drawer deflector (B) between them. Some force may be required to flex the upper vent trim (C) away from the lower vent trim (D). Some force may also be required to flex the warming drawer deflector (B) and slide it into position. Make sure screw holes are properly aligned between the two pieces. See the following illustration.
2. Install the warming drawer deflector (B) to the lower vent piece (D) using two #8-18 x 1/4" (6.4 mm) screws on each side.

NOTE: On 27" (68.6 cm) models, only one #8-18 x 1/4" (6.4 mm) screw is used on each side.



A. #8-18 x 1/4" (6.4 mm) screws C. Upper vent piece
B. Warming drawer deflector D. Lower vent piece

3. Align vent tab (B) with oven frame (A) as shown in the following illustration.
4. Using one #8-18 x 3/8" (9.5 mm) screw (E) on each side of the vent tab (B), fasten the vent securely to the oven.



A. Oven frame D. Warming drawer deflector
B. Vent tab E. #8-18 x 3/8" (9.5 mm) screw
C. Oven vent

Complete Installation

1. Check that all parts are now installed. If there is an extra part, go back through the steps to see which step was skipped.
2. Check that you have all of your tools.
3. Dispose of/recycle all packaging materials.
4. For oven use and cleaning, read the Use and Care Guide.

Check Operation of Single and Double Ovens

1. Turn on power.
2. At first use, set up the clock and any other preferences, if available. For more information, read the Use and Care Guide.
3. Press BROIL on single oven models.
NOTE: Press UPPER BROIL or LOWER BROIL on double oven models.
4. Set the temperature.
5. Press START.

If Oven(s) Does Not Operate, Check the Following:

- Household fuse is intact and tight, or circuit breaker has not tripped.
 - Electrical supply is connected.
 - See "Troubleshooting" section in the Use and Care Guide.
6. When oven has been on for 5 minutes, feel for heat. If you do not feel heat or if an error message appears in the display, turn off the oven and contact a qualified technician.
 7. Press UPPER CANCEL/LOWER CANCEL on double ovens, or press CANCEL on single ovens.

If You Need Assistance or Service:

Please reference the "Warranty."

SÉCURITÉ DE LA TABLE DE CUISSON

Votre sécurité et celle des autres est très importante.

Nous donnons de nombreux messages de sécurité importants dans ce manuel et sur votre appareil ménager. Assurez-vous de toujours lire tous les messages de sécurité et de vous y conformer.



Voici le symbole d'alerte de sécurité.

Ce symbole d'alerte de sécurité vous signale les dangers potentiels de décès et de blessures graves à vous et à d'autres.

Tous les messages de sécurité suivront le symbole d'alerte de sécurité et le mot "DANGER" ou "AVERTISSEMENT". Ces mots signifient :

 **DANGER**

Risque possible de décès ou de blessure grave si vous ne suivez pas immédiatement les instructions.

 **AVERTISSEMENT**

Risque possible de décès ou de blessure grave si vous ne suivez pas les instructions.

Tous les messages de sécurité vous diront quel est le danger potentiel et vous disent comment réduire le risque de blessure et ce qui peut se produire en cas de non-respect des instructions.

EXIGENCES D'INSTALLATION

Outillage et pièces

Rassembler les outils et composants nécessaires avant d'entreprendre l'installation. Lire et observer les instructions fournies avec chacun des outils de la liste ci-dessous.

Outils nécessaires

- Tournevis Phillips
- Mètre ruban
- Perceuse manuelle ou électrique (pour installation dans un placard mural)
- Foret de 1 (pour installation dans un placard mural)
- Niveau
- Tournevis à lame plate

Pièces nécessaires

- Connecteur de conduit (homologation UL ou CSA)
- Connecteurs de fils (homologation UL)
- Ensemble de déflecteur pour tiroir-réchaud (pour les fours installés par-dessus un tiroir-réchaud)
Ensemble noir de 27" (68,6 cm)
Ensemble en acier inoxydable de 27" (68,6 cm)
Ensemble noir de 30" (76,2 cm)
Ensemble en acier inoxydable de 30" (76,2 cm)
Pour commander, voir la section "Assistance ou service" du Guide d'utilisation et d'entretien.
- Ensemble d'installation en affleurement (pour four simple et double installé en affleurement)
Ensemble noir de 27" (68,6 cm)
Ensemble en acier inoxydable de 27" (68,6 cm)
Ensemble noir de 30" (76,2 cm)
Ensemble en acier inoxydable de 30" (76,2 cm)
Pour commander, voir la section "Assistance ou service" du Guide d'utilisation et d'entretien.

Pièces fournies

- Vis n° 8-14 x 1" (2,54 cm) - four simple (2), four double (4)
- Vis n° 8-18 x 3/8" (9,5 mm) - évent inférieur (2)
- Vis n° 8-18 x 1/4" (6,6 mm) - garniture de l'évent inférieur (4)
- Vis n° 8-18 x 3/8" (9,5 mm) - pieds du four double (4)
- Évent inférieur
- Garniture de l'évent
- Pieds arrière - four double (2)
- Pieds avant - four double (2)
- Bande de mousse - four simple*

Consulter les codes locaux. Vérifier l'alimentation électrique existante. Voir "Spécifications électriques".

Il est recommandé de faire réaliser tous les raccordements électriques par un électricien qualifié agréé.

*La bande de mousse n'est pas comprise avec les fours doubles.

Exigences d'emplacement

IMPORTANT : Observer les dispositions de tous les codes et règlements en vigueur.

- Respecter les dimensions indiquées pour les ouvertures à découper dans les placards. Ces dimensions prennent en compte les dégagements de séparation nécessaires.
- L'espace d'installation doit permettre la formation d'une enceinte complète autour de la partie encastrée du four.
- Une source d'électricité avec liaison à la terre est nécessaire. Voir la section "Spécifications électriques".
- Le boîtier de raccordement doit être situé à moins de 3" (7,6 cm) au-dessous de la surface de support lorsque le four est installé dans un placard mural. Un trou de diamètre 1" (2,5 cm) ou plus doit avoir été percé dans l'angle arrière gauche ou droit de la surface de support pour le passage du câble d'alimentation de l'appareil jusqu'au boîtier de connexion.

REMARQUE : Pour l'installation sous un plan de travail, on recommande que le boîtier de connexion soit situé dans le placard adjacent, à droite ou à gauche. Dans le cas de l'installation du boîtier de connexion sur le mur arrière, derrière le four, le boîtier de connexion doit être encastré et placé au centre de la partie supérieure du placard.

- La surface de support du four doit être robuste, horizontale et en affleurement avec le bas de l'ouverture découpée dans le placard.
- Le plancher doit pouvoir supporter le poids d'un four simple de 180 lb (82 kg).
- Le plancher doit pouvoir supporter le poids d'un four double de 357 lb (162 kg).

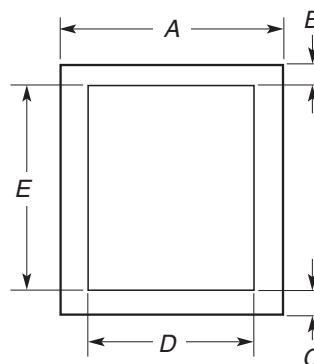
IMPORTANT : Afin d'éviter d'endommager les placards, consulter le constructeur de la maison ou le fabricant des placards pour déterminer si les matériaux utilisés peuvent subir un changement de couleur, une déstratification ou d'autres dommages. Ce four a été conçu conformément aux exigences des normes UL et CSA International et respecte les températures maximales permises de 194°F (90°C) pour les placards en bois.

Installation sous un comptoir (avec table de cuisson installée au-dessus) :

Consulter "Four installé sous la table de cuisson - Dimensions pour l'ouverture à découper" (document distinct) Voir le site Web du produit pour la liste des modèles de table de cuisson approuvés pour une utilisation au-dessus des modèles de four mural de sélection.

Dimensions du placard - Fours simples

Four simple sous le plan de travail (sans table de cuisson au-dessus)



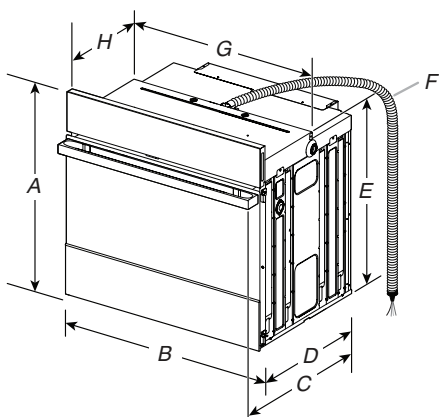
Modèles de 27" (68,6 cm)

- A. Largeur du placard 27" (68,6 cm) min.
- B. 1½" (3,8 cm) min. entre le sommet de l'ouverture découpée et la face inférieure du plan de travail
- C. 5¼" (13,3 cm) entre le bas de l'ouverture découpée et le sol
- D. Largeur de l'ouverture découpée 25½" (64,8 cm)
- E. Hauteur de l'ouverture découpée 28" (71,2 cm) min.

Modèles de 30" (76,2 cm)

- A. Largeur du placard 30" (76,2 cm) min.
- B. 1½" (3,8 cm) min. entre le sommet de l'ouverture découpée et la face inférieure du plan de travail
- C. 5¼" (13,3 cm) entre le bas de l'ouverture découpée et le sol
- D. Largeur de l'ouverture découpée 28½" (72,4 cm)
- E. Hauteur de l'ouverture découpée 28" (71,2 cm) min.

Dimensions du produit - Fours simples



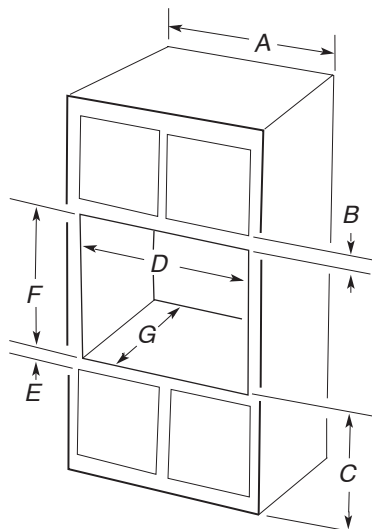
Modèles de 27" (68,6 cm)

- A. Hauteur hors-tout 29⅞" (75,8 cm) max.
- B. Largeur hors-tout 27" (68,6 cm)
- C. JJW2427IM - 26⅜" (67 cm)
JJW2427IL - 27⅜" (69 cm)
- D. Profondeur d'encastrement 23¼" (59,1 cm) max.
- E. Hauteur d'encastrement 26¾" (67,9 cm)
- F. 48" (121,9 cm) de longueur du conduit flexible
- G. Largeur d'encastrement 25⅞" (64,6 cm) max.
- H. 12" (30,5 cm) de l'arrière du tableau de commande jusqu'à l'extrémité avant du serre-câble

Modèles de 30" (76,2 cm)

- A. Hauteur hors-tout 29⅞" (75,8 cm) max.
- B. Largeur hors-tout 30" (76,2 cm)
- C. JJW2430IM - 26⅜" (67 cm)
JJW2430IL - 27⅜" (69 cm)
- D. Profondeur d'encastrement 23¼" (59,1 cm)
- E. Hauteur d'encastrement 26¾" (67,9 cm)
- F. 48" (121,9 cm) de longueur du conduit flexible
- G. Largeur d'encastrement 28⅞" (72,2 cm) max.
- H. 12" (30,5 cm) de l'arrière du tableau de commande jusqu'à l'extrémité avant du serre-câble

Fours simples installés dans un placard



Modèles de 27" (68,6 cm)

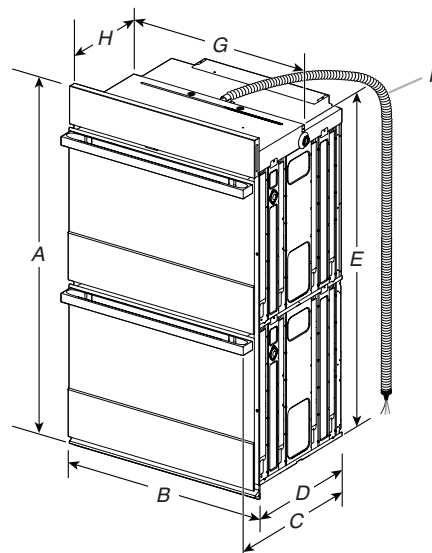
- A. Largeur du placard 27" (68,6 cm) min.
- B. $2\frac{3}{16}$ " (5,5 cm) entre le sommet de l'ouverture découpée et le bas de la porte du placard supérieur
- C. 32" (81,3 cm) entre le bas de l'ouverture découpée et le sol
- D. Largeur de l'ouverture découpée $25\frac{1}{2}$ " (64,8 cm)
- E. $1\frac{1}{2}$ " (3,8 cm) min. entre le bas de l'ouverture découpée et le sommet de la porte du placard
- F. Hauteur de l'ouverture découpée recommandée 28" (71,2 cm)*
- G. Profondeur de l'ouverture 24" (60,7 cm)

Modèles de 30" (76,2 cm)

- A. Largeur du placard 30" (76,2 cm) min.
- B. $2\frac{3}{16}$ " (5,5 cm) entre le sommet de l'ouverture découpée et le bas de la porte du placard supérieur
- C. 32" (81,3 cm) entre le bas de l'ouverture découpée et le sol
- D. Largeur de l'ouverture découpée $28\frac{1}{2}$ " (72,4 cm)
- E. $1\frac{1}{2}$ " (3,8 cm) min. entre le bas de l'ouverture découpée et le sommet de la porte du placard
- F. Hauteur de l'ouverture découpée recommandée 28" (71,2 cm)*
- G. Profondeur de l'ouverture 24" (60,7 cm)

* **REMARQUE :** Pour les fours simples, la hauteur de l'ouverture découpée peut être comprise entre $26\frac{15}{16}$ " et $29\frac{7}{16}$ " (68,4 cm et 74,8 cm).

Dimensions du produit - Fours doubles



Modèles de 27" (68,6 cm)

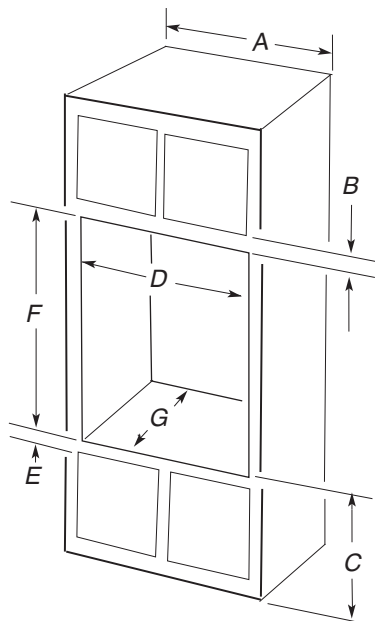
- A. hauteur hors-tout $52\frac{3}{8}$ " (133 cm) max.
- B. Largeur hors-tout 27" (68,6 cm)
- C. JJW2827IM - $26\frac{3}{8}$ " (67 cm)
JJW2827IL - $27\frac{3}{16}$ " (69 cm)
- D. Profondeur d'encastrement $23\frac{1}{4}$ " (59,1 cm) max.
- E. Hauteur d'encastrement $48\frac{13}{16}$ " (124 cm)
- F. 66" (167,6 cm) de longueur du conduit flexible
- G. Largeur d'encastrement $25\frac{7}{16}$ " (64,6 cm) max.
- H. 12" (30,5 cm) de l'arrière du tableau de commande jusqu'à l'extrémité avant du serre-câble

Modèles de 30" (76,2 cm)

- A. Hauteur hors-tout $52\frac{3}{8}$ " (133 cm) max.
- B. Largeur hors-tout 30" (76,2 cm)
- C. JJW2430IM - $26\frac{3}{8}$ " (67 cm)
JJW2430IL - $27\frac{3}{16}$ " (69 cm)
- D. Profondeur d'encastrement $23\frac{1}{4}$ " (59,1 cm) max.
- E. Hauteur d'encastrement $48\frac{13}{16}$ " (124 cm)
- F. 66" (167,6 cm) de longueur du conduit flexible
- G. Largeur d'encastrement $28\frac{7}{16}$ " (72,2 cm) max.
- H. 12" (30,5 cm) de l'arrière du tableau de commande jusqu'à l'extrémité avant du serre-câble

Dimensions du placard - Fours doubles

Fours doubles installés dans un placard



Modèles de 27" (68,6 cm)

- A. Largeur du placard 27" (68,6 cm) min.
- B. $2\frac{3}{16}$ " (5,5 cm) entre le sommet de l'ouverture découpée et la porte du placard supérieur
- C. $14\frac{3}{4}$ " (37,5 cm) entre le bas de l'ouverture découpée et le sol est la distance recommandée. 4"- $14\frac{3}{4}$ " (10,2-37,5 cm) entre le bas de l'ouverture découpée et le sol est une distance acceptable.
- D. Largeur de l'ouverture découpée $25\frac{1}{2}$ " (64,8 cm)
- E. $1\frac{1}{2}$ " (3,8 cm) min. entre le bas de l'ouverture découpée et le sommet de la porte du placard
- F. Hauteur de l'ouverture découpée recommandée $50\frac{1}{4}$ " (127,6 cm) min.*
- G. Profondeur de l'ouverture 24" (60,7 cm)

30" (76,2 cm) models

- A. Largeur du placard 30" (76,2 cm) min.
- B. $2\frac{3}{16}$ " (5,5 cm) entre le sommet de l'ouverture découpée et la porte du placard supérieur
- C. $14\frac{3}{4}$ " (37,5 cm) entre le bas de l'ouverture découpée et le sol est la distance recommandée. 4"- $14\frac{3}{4}$ " (10,2-37,5 cm) entre le bas de l'ouverture découpée et le sol est une distance acceptable.
- D. Largeur de l'ouverture découpée $28\frac{1}{2}$ " (72,4 cm)
- E. $1\frac{1}{2}$ " (3,8 cm) min. entre le bas de l'ouverture découpée et le sommet de la porte du placard
- F. Hauteur de l'ouverture découpée recommandée $50\frac{1}{4}$ " (127,6 cm) min.*
- G. Profondeur de l'ouverture 24" (60,7 cm)

* **REMARQUE :** Pour les fours doubles, la hauteur de l'ouverture découpée peut être comprise entre $48\frac{7}{8}$ " et $52\frac{3}{16}$ " (124,1 cm et 132,6 cm).

Spécifications électriques

Si on utilise un conducteur distinct de liaison à la terre lorsque les codes le permettent, il est recommandé qu'un électricien qualifié vérifie que la liaison à la terre et le calibre pour fils sont conformes aux codes locaux.

En cas de doute quant à la qualité de la liaison à la terre du four, consulter un électricien qualifié.

Ce four doit être raccordé à un système permanent, métallique de câblage relié à la terre.

S'assurer que la connexion électrique et le calibre des fils sont appropriés et conformes au National Electrical Code, aux normes ANSI/NFPA 70 - dernière édition, ou aux normes CSA C22.1-94, au Code canadien de l'électricité, Partie 1 et C22.2 N° O-M91 - dernière édition, et à tous les codes et règlements locaux.

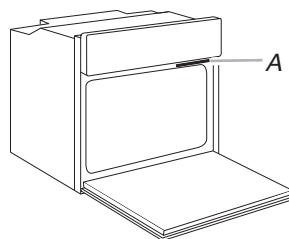
Pour obtenir un exemplaire de la norme des codes ci-dessus, contacter :

National Fire Protection Association
1 Batterymarch Park
Quincy, MA 02169-7471
CSA International
8501 East Pleasant Valley Road
Cleveland, OH 44131-5575

Raccordement électrique

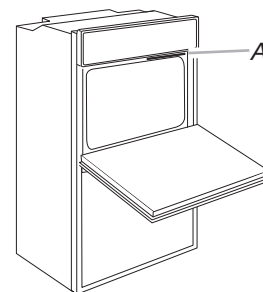
Pour installer le four correctement, il faut établir le type de raccords électriques que l'on utilisera et suivre les instructions indiquées ici.

- Le four doit être alimenté par une source d'électricité appropriée (caractéristiques de tension et fréquence spécifiées sur la plaque signalétique). La plaque signalétique est située sous le tableau de commande pour les fours simples et sous le tableau de commande de la cavité supérieure du four pour les fours doubles. Voir l'illustration ci-dessous.



Four simple

A. Plaque signalétique



Four double

A. Plaque signalétique

- Un modèle de 7,3 à 9,6 kW/240 volts (5,4 à 7,4 kW/208 volts) doit être alimenté par un circuit indépendant de 40 A. Un modèle de 4,8 kW ou moins à 240 volts (3,6 kW ou moins à 208 volts) doit être alimenté par un circuit indépendant de 20 A.
- On recommande d'utiliser un disjoncteur.
- Raccorder l'appareil directement au coupe-circuit avec fusible ou au disjoncteur par un câble à conducteur de cuivre et gaine métallique flexible ou gaine non métallique (avec conducteur de liaison à la terre). Voir la section "Raccordement électrique".
- Le câble blindé flexible du four doit être connecté directement dans le boîtier de connexion.
- Protéger par fusible les deux extrémités de la ligne.
- Ne pas couper le conduit. La longueur du conduit fournie est destinée à faciliter l'entretien du four.
- L'installateur doit fournir un connecteur de conduit (homologation UL ou CSA).

- Si le domicile est équipé d'un câblage en aluminium, suivre les instructions suivantes :
Connecter le câblage en aluminium en utilisant des connecteurs ou des outils spécialement conçus et homologués UL pour raccorder le cuivre à l'aluminium.
Appliquer la procédure recommandée par le fabricant des connecteurs. La connexion aluminium/cuivre doit être conforme aux codes locaux et aux pratiques de câblage acceptées par l'industrie.

Pour connaître les spécifications de puissance pour les modèles JJW2430I, JJW2427I, JJW2830I, et JJW2827I, se référer au tableau suivant.

	240 VAC	208 VAC
Modèle	kW	kW
JJW2430I	4.1	3.1
JJW2427I	4.1	3.1
JJW2830I	8.7	6.5
JJW2827I	8.7	6.5

INSTRUCTIONS D'INSTALLATION

Préparation du four encastré

1. Choisir l'emplacement final pour l'installation du four. Éviter de percer ou d'endommager le câblage lors de l'installation.

⚠ AVERTISSEMENT

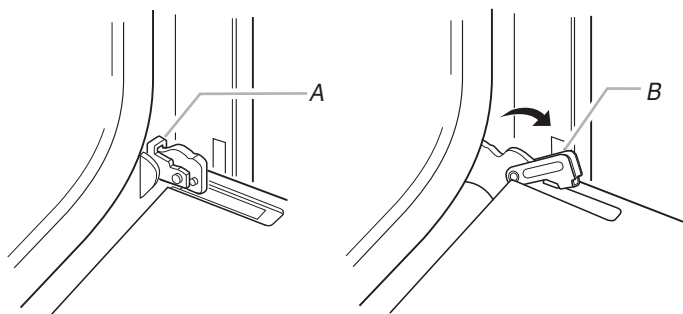
Risque du poids excessif

Utiliser deux ou plus de personnes pour déplacer et installer le four.

Le non-respect de cette instruction peut causer une blessure au dos ou d'autre blessure.

2. Pour éviter d'endommager le plancher, placer le four sur une feuille de carton avant l'installation. Lors des opérations de levage, ne pas prendre prise sur la poignée ou sur une autre partie du châssis avant.
3. Enlever les matériaux d'emballage et les rubans adhésifs du four. S'assurer de bien conserver les cornières de protection et autres matériaux pouvant être requis pour l'installation.
4. Enlever le sachet de matériel à l'intérieur du sachet de documentation.
5. Enlever et conserver à part les grilles et autres composants qu'on trouve à l'intérieur du four.
6. Approcher le four et la feuille de carton de l'emplacement final du four.

3. Identifier les loquets de charnière de la porte du four dans les deux angles de la porte; faire pivoter les loquets de charnière vers la porte du four jusqu'à la position de déverrouillage. Si le loquet de charnière de porte n'est pas complètement tourné (voir illustration B), la porte ne se retirera pas correctement.



A. Loquet de charnière de la porte du four en position de verrouillage

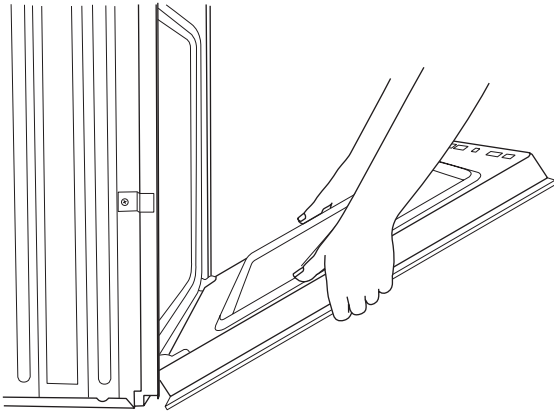
B. Loquet de charnière de la porte du four en position de déverrouillage

Dépose de la/des porte(s) du four

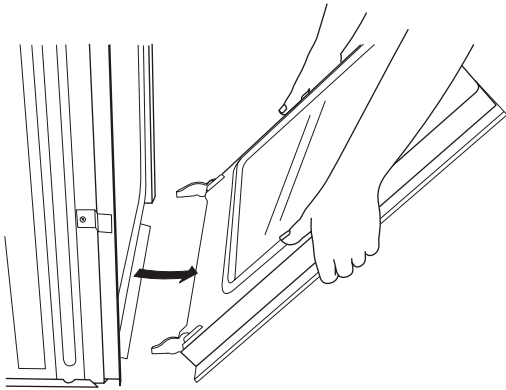
IMPORTANT : Retirer la porte du four avec les deux mains. Pour les fours doubles, répéter le procédé pour chaque porte.

1. Avant de retirer la porte du four, préparer une surface sur laquelle on pourra la poser. Cette surface doit être plate et recouverte d'une couverture douce. On peut aussi utiliser les cornières de l'emballage.
2. Ouvrir la porte du four.

4. Fermer partiellement la porte pour engager les loquets de la gâche de porte. La porte restera bloquée à cette position.



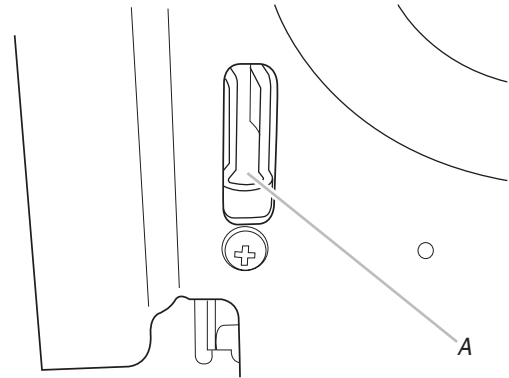
5. Saisir les bords de la porte du four avec les deux mains. Soulever et tirer la porte du four vers soi et enlever la porte. Vous devrez peut-être basculer doucement la porte d'un côté et de l'autre en la tirant.



6. Conserver la/les porte(s) du four à part sur la surface de travail couverte en faisant reposer la porte sur sa poignée.
7. Pour continuer l'installation du four, aller à la section "Positionnement des pieds du four pour des ouvertures d'encastrement dans le placard".

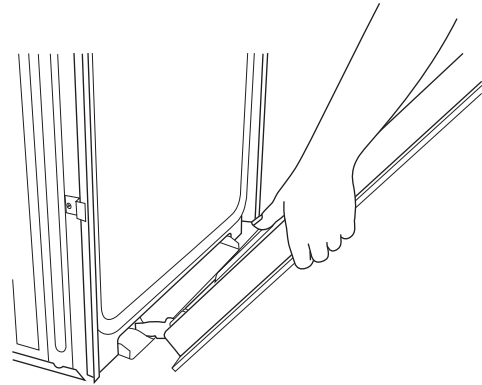
Réinstallation de la/des porte(s) du four

1. Saisir les bords latéraux de la porte par le milieu avec les deux mains. Se placer face à la cavité du four.
2. Repérer les encoches situées de chaque côté de la cavité du four pour les loquets de charnière de la porte.



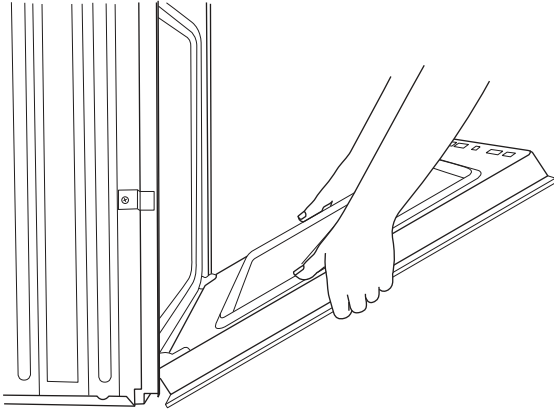
A. Encoche située dans la cavité du four pour le loquet de charnière de la porte

3. Aligner les charnières de porte dans les encoches situées en bas/à l'avant de la cavité du four à un angle de 45°. Insérer doucement la porte tout en veillant à garder un angle de 45°. Lorsque l'on sent un léger abaissement de la porte, cela signifie qu'elle est bien positionnée dans l'encoche.



4. Abaisser la porte du four jusqu'à ce qu'elle soit complètement ouverte. Si la porte du four ne s'ouvre pas complètement à un angle de 90°, répéter les étapes 1 à 3.

5. Identifier les loquets de charnière de la porte du four dans les angles de la porte; faire pivoter les loquets de charnière vers la cavité du four jusqu'à la position de verrouillage. Voir l'étape 3 (illustration A) dans la section "Dépose de la/des porte(s) du four" pour une position de verrouillage correcte.



6. Fermer la porte du four.
7. Une fois les charnières correctement installées et la porte fermée, il doit y avoir un espace égal entre la porte et le tableau de commande. Si l'un des côtés de la porte du four est plus bas que l'autre, la charnière de ce côté-ci n'est pas correctement installée.

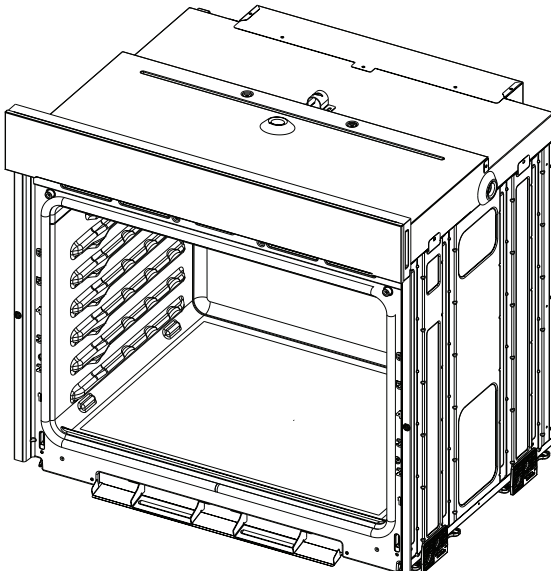
Positionnement des pieds du four pour des ouvertures d'encastrement de hauteur différente

Four simple

En modifiant le positionnement des pieds du four, on peut installer un four simple dans une cavité d'encastrement d'une hauteur comprise entre 26¹⁵/₁₆" et 29⁷/₁₆" (68,4 cm et 74,8 cm). Consulter les instructions suivantes pour adapter la position des pieds à la taille de la cavité d'encastrement.

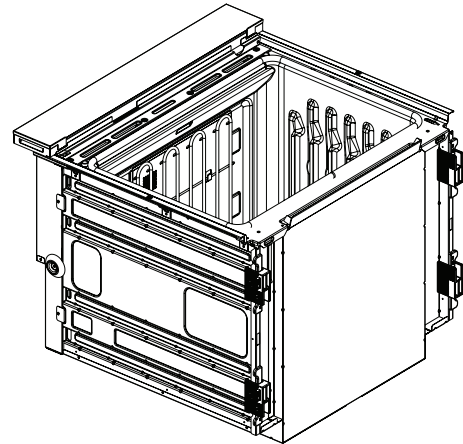
La hauteur d'encastrement est comprise entre 27⁵/₈" et 28⁵/₈" (70,2 cm et 72,7 cm)

Les pieds du four n'ont pas besoin d'être remplacés. Ils sont correctement positionnés à leur sortie d'usine. Passer à la section "Raccordement électrique".



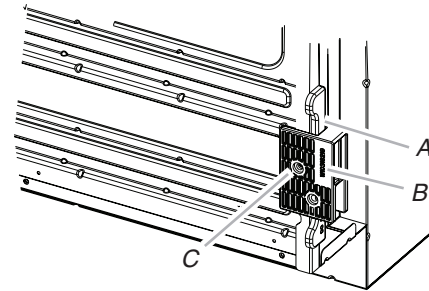
La hauteur de la cavité d'encastrement est comprise entre 26¹⁵/₁₆" et 27¹¹/₁₆" (68,4 cm et 70,3 cm)

1. À l'aide d'au moins 2 personnes, placer le four sur sa partie arrière, sur une surface couverte.



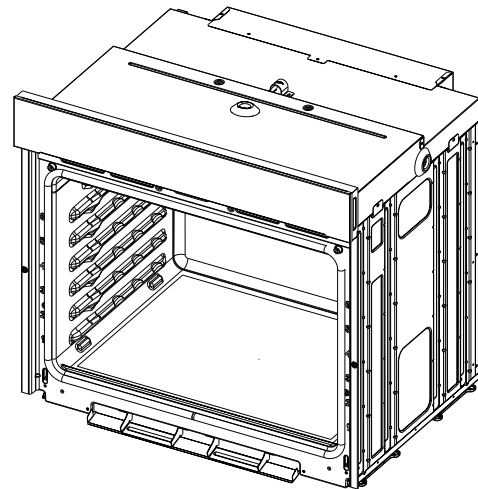
2. Retirer le pied de la cale d'espacement avant droite en ôtant la vis n° 8-18 x 3/8" (9,5 mm).

REMARQUE: Ne pas retirer la cale d'espacement.



- A. Cale d'espacement
- B. Pied
- C. Vis n° 8-18 x 3/8" (9,5 mm)

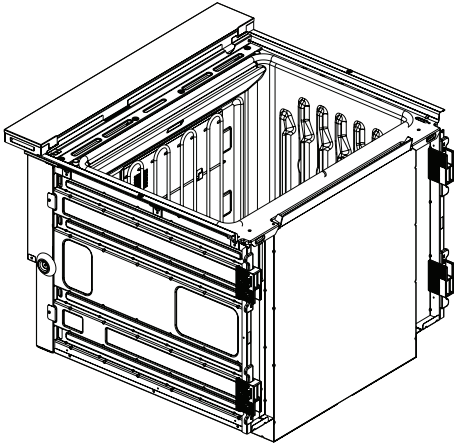
3. Enlever les pieds installés au niveau avant gauche, arrière droit et arrière gauche du four en suivant la même méthode.
4. À l'aide d'au moins deux personnes, placer le four en position verticale.



5. Passer à la section "Raccordement électrique".

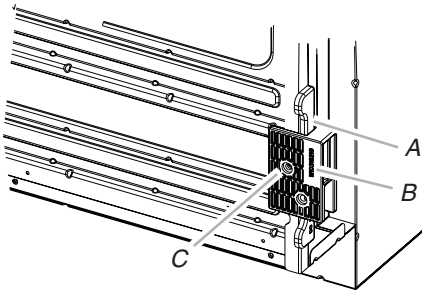
La hauteur de la cavité d'encastrement est comprise entre 28¹¹/₁₆" et 29⁷/₁₆" (72,8 cm et 74,8 cm)

1. À l'aide d'au moins 2 personnes, placer le four sur sa partie arrière, sur une surface couverte.



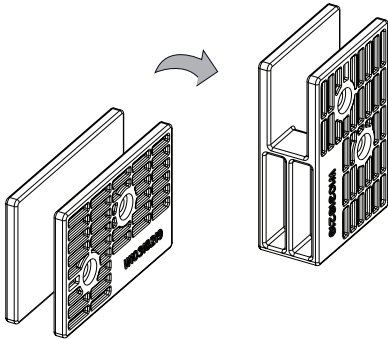
2. Retirer le pied de la cale d'espacement avant droite en ôtant la vis n° 8-18 x 3/8" (9,5 mm).

REMARQUE: Ne pas retirer la cale d'espacement.



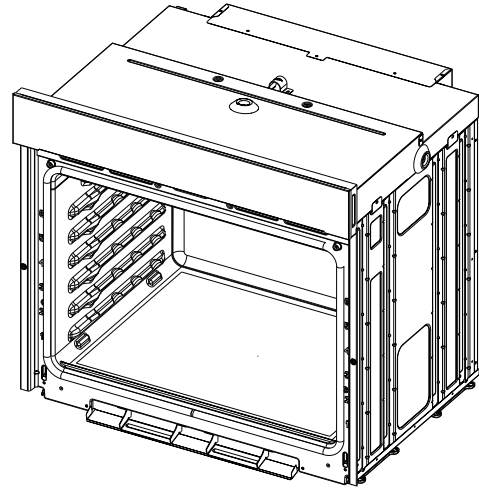
- A. Cale d'espacement
- B. Pied
- C. Vis n° 8-18 x 3/8" (9,5 mm)

3. Faire pivoter le pied à 90° de façon à ce que le côté court du pied soit orienté vers le sommet du four.



4. Réinstaller le pied de la cale d'espacement à l'aide de la vis n° 8-18 x 3/8" (9,5 mm) précédemment retirée.
5. Enlever, faire pivoter et réinstaller les pieds installés au niveau avant gauche, arrière droit et arrière gauche du four en suivant la même méthode.

6. À l'aide d'au moins deux personnes, placer le four en position verticale.



7. Passer à la section "Raccordement électrique".

Fours doubles

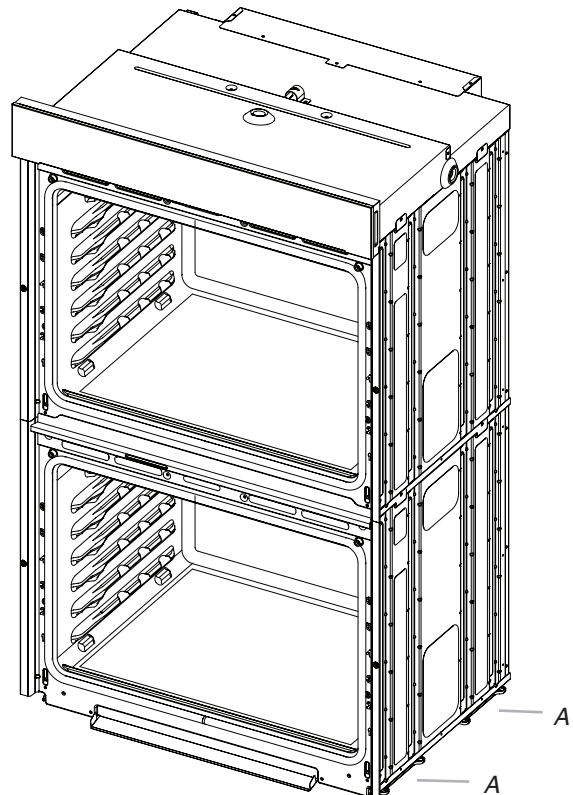
En modifiant le positionnement des pieds du four, on peut installer un four double dans une cavité d'encastrement d'une hauteur comprise entre 48⁷/₈" et 52³/₁₆" (124,1 cm et 132,6 cm). Consulter les instructions suivantes pour adapter la position des pieds à la taille de la cavité d'encastrement.

La hauteur de la cavité d'encastrement est comprise entre 48⁷/₈" et 50⁷/₁₆" (124,1 cm et 128,1 cm)

Il n'est pas nécessaire d'installer les pieds du four. Le four a été correctement configuré à sa sortie d'usine.

REMARQUE: Ne pas retirer les cales d'espacement.

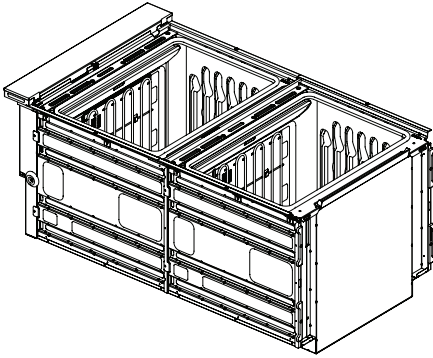
Passer à la section "Raccordement électrique".



A. Cales d'espacement

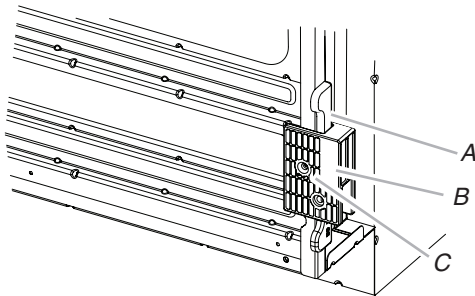
La hauteur de la cavité d'encastrement est comprise entre 50½" et 51⅛" (128,2 cm et 129,9 cm)

1. À l'aide d'au moins 2 personnes, placer le four sur sa partie arrière, sur une surface couverte.



2. Installer un pied sur la cale d'espacement arrière gauche avec une vis n° 8-18 x 3/8" (9,5 mm).

REMARQUE : Positionner le pied de façon à ce que le côté long du pied soit orienté vers le sommet du four.

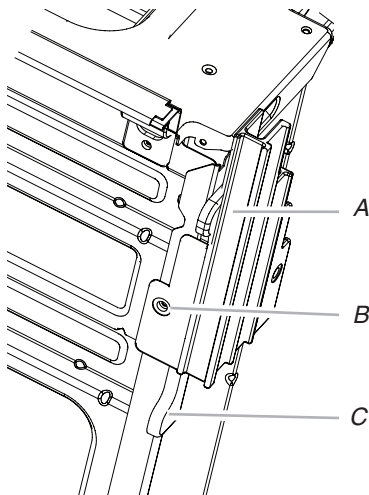


- A. Cale d'espacement
- B. Pied
- C. Vis 8-18 x 3/8" (9,5 mm)

3. De la même manière, installer un pied sur la partie arrière droite du four.

4. Installer un pied avant sur la cale d'espacement avant gauche avec une vis n° 8-18 x 3/8" (9,5 mm).

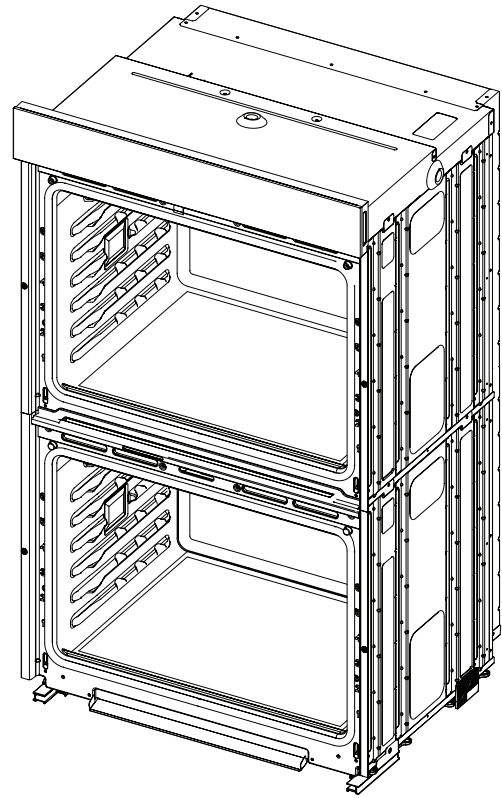
REMARQUE : Positionner le pied de façon à ce que le côté long du pied soit orienté vers le four.



- A. Pied avant
- B. Vis n° 8-18 x 3/8" (9,5 mm)
- C. Cale d'espacement

5. De la même manière installer un pied avant sur la partie avant droite du four.

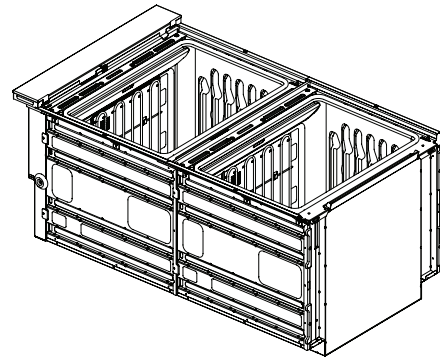
6. À l'aide d'au moins 2 personnes, placer le four en position verticale.



7. Passer à la section "Raccordement électrique".

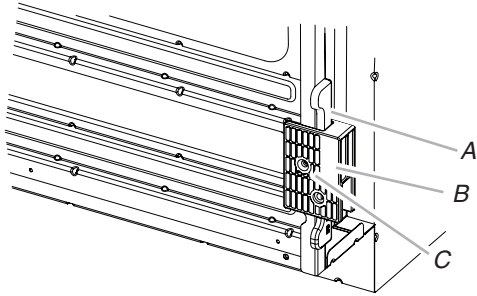
La hauteur de la cavité d'encastrement est comprise entre 51⅜" et 52⅜" (130 cm et 132,6 cm)

1. À l'aide d'au moins 2 personnes, placer le four sur sa partie arrière, sur une surface couverte.



2. Installer un pied sur la cale d'espacement arrière gauche avec une vis n° 8-18 x 3/8" (9,5 mm).

REMARQUE : Positionner le pied de façon à ce que le côté court du pied soit orienté vers le sommet du four.

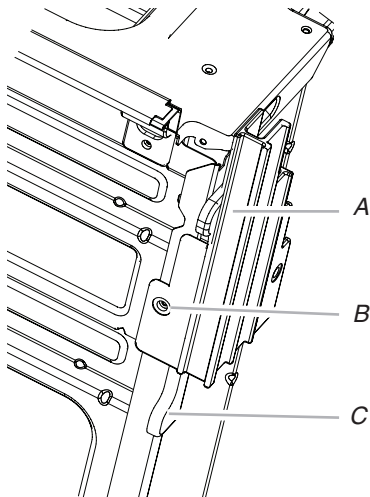


A. Cale d'espacement
B. Pied
C. Vis n° 8-18 x 3/8" (9,5 mm)

3. De la même manière, installer un pied sur la partie arrière droite du four.

4. Installer un pied avant sur la partie avant gauche avec une vis n° 8-18 x 3/8" (9,5 mm).

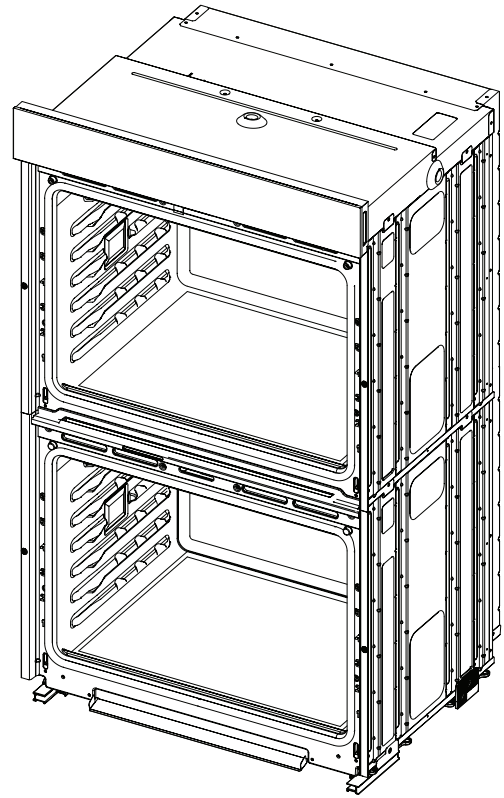
REMARQUE : Positionner le pied de façon à ce que le côté long du pied soit orienté vers le sommet du four, tel qu'illustré.



A. Pied avant
B. Vis n° 8-18 x 3/8" (9,5 mm)
C. Cale d'espacement

5. De la même manière installer un pied avant sur l'avant droit du four.

6. À l'aide d'au moins 2 personnes, placer le four en position verticale.



7. Passer à la section "Raccordement électrique".

Raccordement électrique

Fours doubles

⚠ AVERTISSEMENT



Risque de choc électrique

Déconnecter la source de courant électrique avant l'entretien.

Utiliser du fil en cuivre de calibre 8.

Relier le four à la terre.

Le non-respect de ces instructions peut causer un décès, un incendie ou un choc électrique.

Fours simples

⚠ AVERTISSEMENT



Risque de choc électrique

Déconnecter la source de courant électrique avant d'entreprendre le travail.

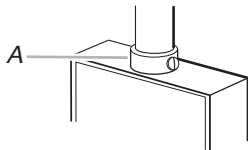
Utiliser du fil en cuivre de calibre 12.

Relier le four à la terre.

Le non-respect de ces instructions peut causer un décès, un incendie ou un choc électrique.

Le câblage d'alimentation de ce four comporte un conducteur neutre (blanc) et un conducteur vert (ou nu) de liaison à la terre connecté à la caisse; ces deux conducteurs sont torsadés.

1. Déconnecter la source de courant électrique.
2. Faire passer le conduit de câble flexible depuis le four à travers l'ouverture dans le placard.
3. Le cas échéant, enlever le couvercle du boîtier de connexion.
4. Installer un connecteur de conduit (homologation UL ou CSA) sur le boîtier de connexion.



A. Connecteur de conduit (homologation UL ou CSA)

5. Acheminer le conduit de câble flexible depuis le four jusqu'au boîtier de connexion - utiliser un connecteur de conduit (homologation UL ou CSA).
6. Serrer les vis sur le connecteur de conduit.
7. Voir "Tableau des options de raccordement électrique" pour terminer l'installation correspondant à votre type de raccordement électrique.

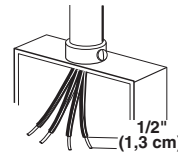
Tableau des options de raccordement électrique

Câblage de la maison :

Voir la section :

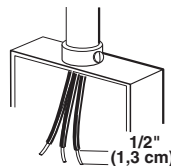
4 conducteurs

Câble à 4 conducteurs depuis le point de distribution du domicile



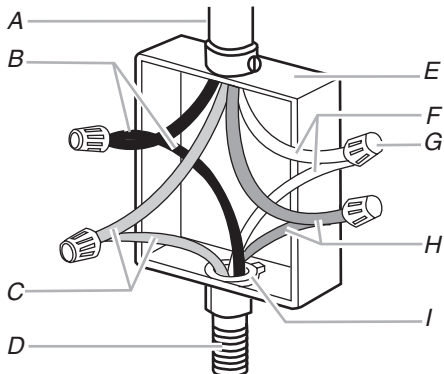
3 conducteurs

Câble à 3 conducteurs depuis le point de distribution du domicile



Câble à 4 conducteurs depuis l'alimentation électrique du domicile

IMPORTANT : Utiliser le câble à 4 conducteurs provenant du point de distribution du domicile aux États-Unis lorsque les codes locaux ne permettent pas la mise à la terre par l'intermédiaire du conducteur neutre, en cas de nouvelle installation avec alimentation par un circuit secondaire (1996 NEC), dans les résidences mobiles et les véhicules récréatifs, dans les nouvelles constructions, et au Canada.

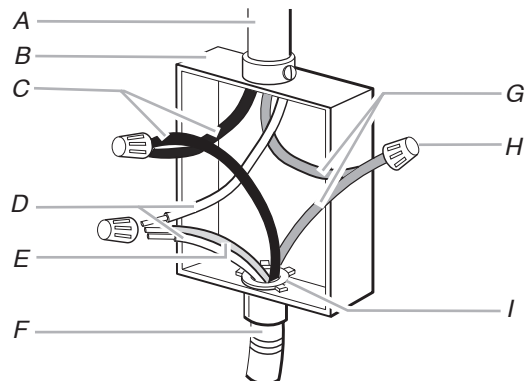


- | | |
|--|---|
| A. Câble depuis le point de distribution du domicile | F. Conducteurs blancs |
| B. Boîtier de connexion | G. Connecteurs de fils (homologation UL) |
| C. Conducteurs rouges | H. Conducteurs verts (ou nus) de liaison à la terre |
| D. Câble flexible à 4 conducteurs depuis le four | I. Connecteur de conduit (homologation UL ou CSA) |
| E. Boîtier de connexion | |

1. Connecter ensemble les 2 conducteurs noirs (B) avec un connecteur de fils (homologation UL).
2. Connecter ensemble les 2 conducteurs rouges (C) avec un connecteur de fils (homologation UL).
3. Détorsader le conducteur blanc du conducteur vert (ou nu) de liaison à la terre provenant du four.
4. Connecter ensemble les 2 conducteurs blancs (F) avec un connecteur de fils (homologation UL).
5. Connecter le conducteur vert (ou nu) de liaison à la terre (H) du câble du four au conducteur vert (ou nu) de liaison à la terre dans le boîtier de connexion -utiliser un connecteur de fils (homologation UL).
6. Installer le couvercle du boîtier de connexion.

Câble à 3 conducteurs depuis l'alimentation électrique du domicile – É.-U. seulement

IMPORTANT : Utiliser le câble à 3 conducteurs depuis le point de distribution du domicile lorsque les codes locaux autorisent un tel raccordement.

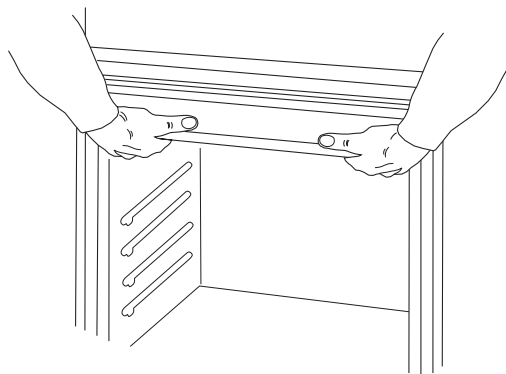


- | | |
|---|---|
| A. Câble depuis le point de distribution du domicile | F. Câble flexible à 4 conducteurs depuis le four |
| B. Boîtier de connexion | G. Conducteurs rouges |
| C. Conducteurs noirs | H. Connecteurs de fils (homologation UL) |
| D. Conducteurs blancs | I. Connecteur de conduit (homologation UL ou CSA) |
| E. Conducteur vert (ou nu) de liaison à la terre (depuis le four) | |

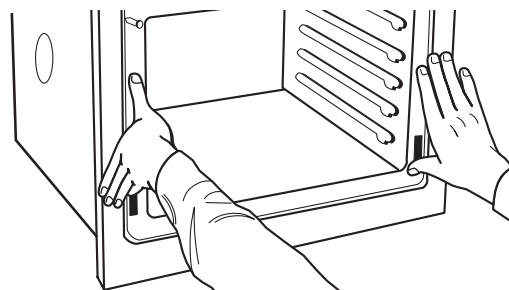
1. Connecter ensemble les 2 conducteurs noirs (C) avec un connecteur de fils (homologation UL).
2. Connecter les 2 conducteurs blancs (D) et le conducteur vert (ou nu) de liaison à la terre (du câble du four) avec un connecteur de fils (homologation UL).
3. Connecter ensemble les 2 conducteurs rouges (G) avec un connecteur de fils (homologation UL).
4. Installer le couvercle du boîtier de connexion.

Installation du four

1. À l'aide d'au moins 2 personnes, soulever et introduire partiellement le four dans l'ouverture d'encastrement du placard. Utiliser l'ouverture du four comme zone de prise.
REMARQUE : Pour introduire le four dans le placard, pousser contre la zone du joint du four située sur le châssis avant. Ne pas pousser contre les bords externes.

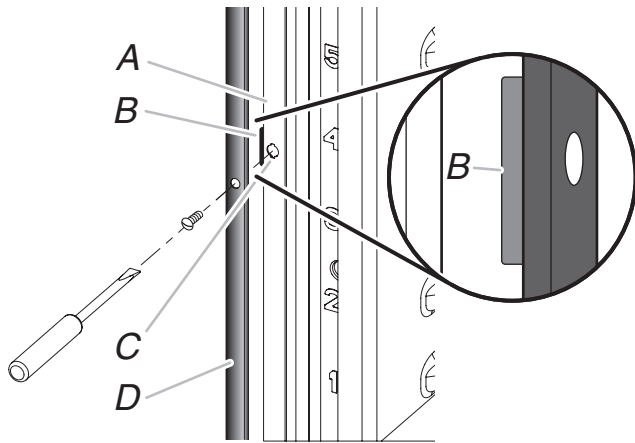


2. Pousser contre la zone du joint du châssis avant pour introduire le four dans le placard, jusqu'à ce que la surface arrière du châssis avant soit au contact de la paroi avant du placard.



3. Pousser complètement le four dans le placard et le centrer dans la cavité d'encastrement du placard.

4. Retirer le ruban de la garniture noire avant, ainsi que les attaches de plastiques de l'espaceur d'installation.
- Fixer solidement le four au placard à l'aide des vis n° 8-14 x 3/4" (9,5 mm) fournies.
 - Insérer les vis dans les trous de la garniture noire en les alignant avec les trous du châssis du four. Ne pas serrer excessivement les vis.

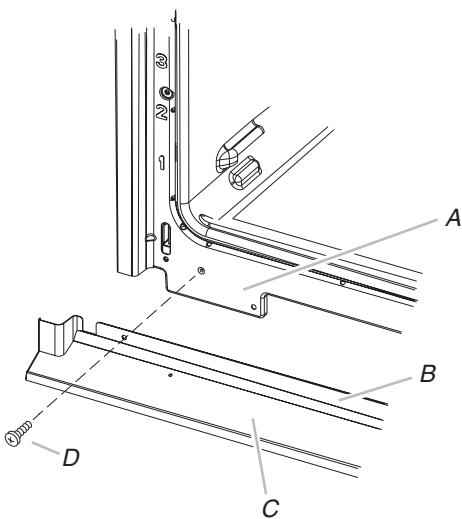


A. Châssis du four
B. Mounting spacer
C. Trou du châssis du four
D. Garniture noire

5. L'évent inférieur et la garniture de l'évent inférieur (nécessaires lorsque le four est installé avec les pieds en position haute) sont livrés dans l'emballage en mousse situé sur le dessus du four.

Pour installer l'évent inférieur uniquement, voir les instructions suivantes. Pour installer l'évent inférieur et la garniture de l'évent inférieur (pour les installations dont les pieds sont en position haute), voir les instructions de l'étape 6.

- Aligner le support de l'évent (B) avec le châssis du four (A) comme illustré.
- Avec une vis n° 8-18 x 3/8" (9,5 mm) (D) pour chaque côté du support de l'évent (B), fixer solidement l'évent au four.

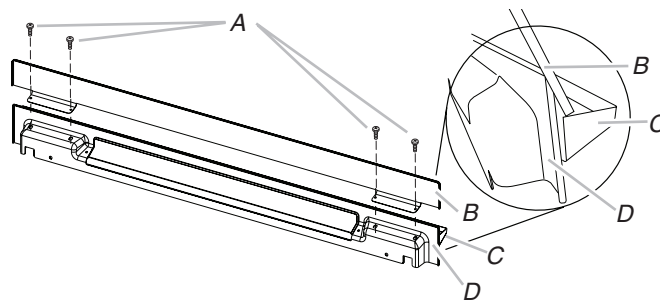


A. Châssis du four
B. Support de l'évent
C. Évent du four
D. Vis n° 8-18 x 3/8" (9,5 mm)

6. Pour les modèles dont les pieds sont installés en position haute, la garniture de l'évent inférieur doit également être installée. Pour l'installation, procéder selon les instructions suivantes.

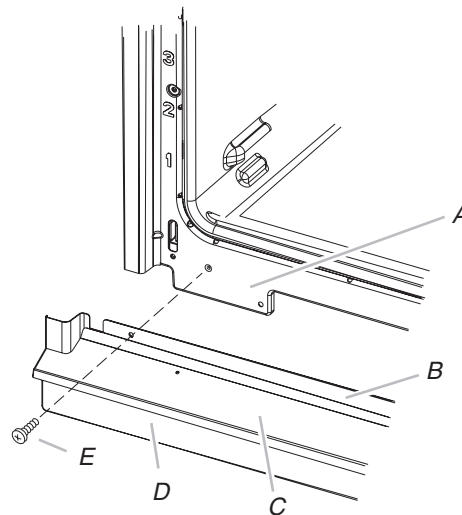
- Faire fléchir la pièce d'évent supérieure (C) en l'éloignant de la pièce d'évent inférieure (D) pour faire glisser la garniture de l'évent inférieur (B) entre elles. Une certaine force sera peut-être nécessaire pour faire fléchir la garniture d'évent supérieure (C) en l'éloignant de la garniture d'évent inférieure (D). Une certaine force sera peut-être également nécessaire pour faire fléchir la garniture d'évent inférieure (B) et la glisser en place. S'assurer que les trous de vis sont correctement alignés entre les deux pièces. Voir l'illustration suivante.
- Installer la garniture de l'évent inférieur (B) sur la pièce d'évent inférieure (D) à l'aide de deux vis n° 8-18 x 1/4" (6,6 mm) de chaque côté.

REMARQUE : Sur les modèles de 27" (68,6 cm), utiliser une seule vis n° 8-18 x 1/4" (6,6 mm) de chaque côté.



A. Vis n° 8-18 x 1/4" (6,6 mm)
B. Garniture de l'évent inférieur
C. Pièce d'évent supérieure
D. Pièce d'évent inférieure

- Aligner la languette de conduit d'évacuation (B) avec le châssis du four (A) comme illustré.
- Avec une vis n° 8-18 x 3/8" (9,5 mm) (E) pour chaque côté du support de l'évent (B), fixer solidement l'évent au four.



A. Châssis du four
B. Support de l'évent
C. Évent du four
D. Garniture de l'évent inférieur
E. Vis n° 8-18 x 3/8" (9,5 mm)

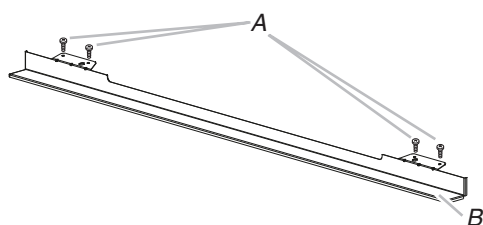
7. Réinstaller les grilles du four.
8. Réinstaller la porte du four. Voir la section "Réinstallation de la/des porte(s) du four".
9. Vérifier que la porte s'ouvre et se ferme facilement. Si tel n'est pas le cas, répéter le processus de dépose et d'installation de la porte. Voir la section "Préparation du four encastré".

10. Répéter cette procédure pour la porte du four inférieur.
11. Reconnecter la source de courant électrique.
12. Le tableau d'affichage s'allume brièvement et "PF" devrait apparaître sur l'affichage.
13. Si le tableau d'affichage ne s'allume pas, se reporter à la section "Garantie".

Installation de l'ensemble de déflecteur du tiroir-réchaud (uniquement pour les fours installés au-dessus d'un tiroir-réchaud)

Sur les fours simple ou double installés au-dessus d'un tiroir-réchaud, la pose d'un déflecteur de tiroir-réchaud est nécessaire. Voir la section "Outillage et pièces" pour des renseignements sur le processus de commande.

Pièces fournies dans l'ensemble de déflecteur

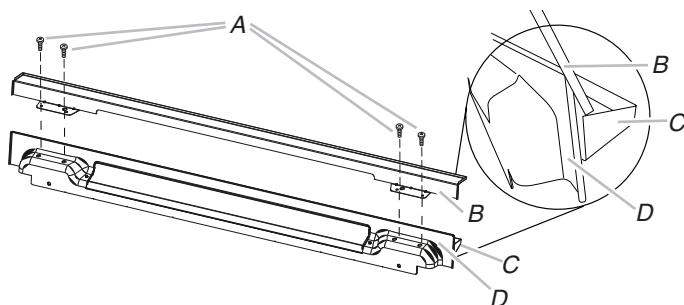


- A. Vis à tête Phillips (4)
2 vis seulement pour la taille 27" (68,6 cm)
B. Déflecteur du tiroir-réchaud (1)

Installation de l'ensemble de déflecteur

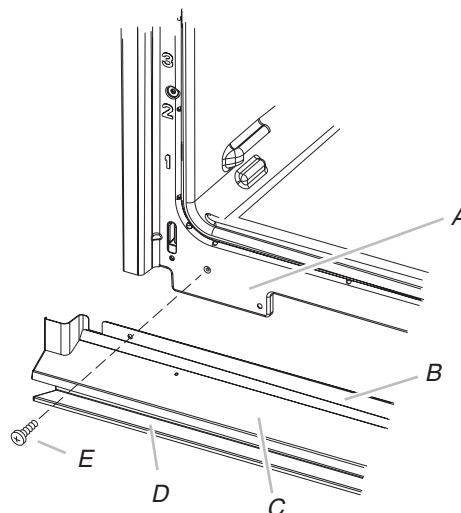
1. Faire fléchir la pièce d'évent supérieure (C) en l'éloignant de la pièce d'évent inférieure (D) pour faire glisser le déflecteur pour tiroir-réchaud (B) entre elles. Une certaine force sera peut-être nécessaire pour faire fléchir la garniture d'évent supérieure (C) en l'éloignant de la garniture d'évent inférieure (D). Une certaine force sera peut-être également nécessaire pour faire fléchir le déflecteur pour tiroir-réchaud (B) et le glisser en place. S'assurer que les trous de vis sont correctement alignés entre les deux pièces. Voir l'illustration suivante.
2. Installer le déflecteur pour tiroir-réchaud (B) sur la pièce d'évent inférieure (D) à l'aide de deux vis n° 8-18 x 1/4" (6,6 mm) de chaque côté.

REMARQUE : Sur les modèles de 27" (68,6 cm), utiliser une seule vis n° 8-18 x 1/4" de chaque côté.



- A. Vis n° 8-18 x 1/4" (6,6 mm) C. Pièce d'évent supérieure
B. Déflecteur du tiroir-réchaud D. Pièce d'évent inférieure

3. Aligner le support de l'évent (B) avec le châssis du four (A) comme illustré.
4. Avec une vis n° 8-18 x 3/8" (9,5 mm) (E) pour chaque côté du support de l'évent (B), fixer solidement l'évent au four.



- A. Châssis du four D. Déflecteur du tiroir-réchaud
B. Support de l'évent E. Vis n° 8-18 x 3/8" (9,5 mm)
C. Évén du four

Achever l'installation

1. Vérifier que toutes les pièces sont maintenant installées. S'il reste une pièce, passer en revue les différentes étapes pour découvrir laquelle aurait été oubliée.
2. Vérifier la présence de tous les outils.
3. Jeter/recycler tous les matériaux d'emballage.
4. Pour l'utilisation et le nettoyage du four, lire le Guide d'utilisation et d'entretien.

Vérification du fonctionnement pour un four simple et un four double

1. Mettre l'appareil sous tension.
2. À la première utilisation, régler l'horloge et toute autre préférence réglable. Consulter le Guide d'utilisation et d'entretien pour plus de renseignements.
3. Pour les fours simples, appuyer sur BROIL (cuisson au gril).
REMARQUE : Pour les fours doubles, appuyer sur UPPER BROIL (cuisson au gril - four supérieur) ou LOWER BROIL (cuisson au gril - four inférieur).
4. Régler la température.
5. Appuyer sur START (mise en marche).

Si le(s) four(s) ne fonctionne(nt) pas, contrôler ce qui suit :

- Les fusibles du domicile sont intacts et serrés, ou le disjoncteur n'est pas déclenché.
 - La prise de courant est correctement alimentée.
 - Voir la section "Dépannage" dans le Guide d'utilisation et d'entretien.
6. Après que le four a fonctionné pendant 5 minutes, vérifier qu'il y a émission de chaleur. Si aucune chaleur n'est ressentie ou si un message d'erreur apparaît sur l'affichage, éteindre le four et contacter un technicien qualifié.
 7. Pour les fours doubles, appuyer sur UPPER CANCEL/ LOWER CANCEL (annulation four supérieur/annulation four inférieur). Pour les fours simples, appuyer sur CANCEL (annulation).

Si vous avez besoin d'assistance ou de service :
Consulter "Garantie"

Remarques

