



INSTALLATION GUIDE
BUILT-IN UNDERCOUNTER ICE MAKER

GUIDE D'INSTALLATION
MACHINE À GLAÇONS ENCASTRÉE SOUS LE COMPTOIR

INTRODUCTION

SAFETY

Your safety and the safety of others are very important.

We have provided many important safety messages in this manual and on your appliance. Always read and obey all safety messages.



This is the safety alert symbol.

This symbol alerts you to potential hazards that can kill or hurt you and others.

All safety messages will follow the safety alert symbol and either the word "DANGER" or "WARNING."

These words mean:

⚠ DANGER

You can be killed or seriously injured if you don't immediately follow instructions.

⚠ WARNING

You can be killed or seriously injured if you don't follow instructions.

All safety messages will tell you what the potential hazard is, tell you how to reduce the chance of injury, and tell you what can happen if the instructions are not followed.

IMPORTANT SAFETY INSTRUCTIONS

WARNING: To reduce the risk of fire, electric shock, or injury when using your refrigerator, follow these basic precautions:

- Plug into a grounded 3 prong outlet.
- Do not remove ground prong.
- Do not use an adapter.
- Do not use an extension cord.
- Do not store explosive substances such as aerosol cans with a flammable propellant in this appliance.
- Disconnect power before cleaning.
- Disconnect power before servicing.
- Replace all parts and panels before operating.
- Connect to potable water supply only.
- If the supply cord is damaged, it must be replaced by the manufacturer, its service agent, or similarly qualified person in order to avoid a hazard.
- This appliance is not intended for use by persons (including children) with reduced physical, sensory, or mental capabilities, or lack of experience and knowledge, unless they have been given supervision or instruction concerning use of the appliance by a person responsible for their safety.
- Use two or more people to move and install ice maker.
- Children should be supervised to ensure that they do not play with the appliance.
- This appliance is intended to be used in household and similar applications such as:
 - staff kitchen areas in shops, offices, and other working environments;
 - farmhouses and by clients in hotels, motels, and other residential-type environments;
 - bed and breakfast-type environments;
 - catering and similar non-retail applications.

SAVE THESE INSTRUCTIONS

INTRODUCTION

REGISTERING YOUR APPLIANCE

Gain access to our concierge-level customer support by registering your appliance. We make product registration simple and straightforward so that you can start using your exclusive JennAir benefits today.

Registering your appliance allows you to:

- **Streamline your warranty service**
If we have your product information, we can help you faster.
- **Protect your purchase**
In case of an insurance loss, such as fire, flood, or theft, your product registration could serve as a proof of purchase.
- **Keep your family safe**
We'll notify you in the rare case of a safety notification.

Start taking advantage of these benefits today by going online to register your product at jennair.com/customer-care.

PRODUCT IDENTIFICATION

Your product identification that includes the model and serial number are listed on the product rating plate.

Recording this information below allows us to more easily assist you if your product shall ever require service from one of our Whirlpool Authorized Service Providers.

Model Number: _____

Serial Number: _____

Date of Installation: _____

Authorized Dealer: _____

Authorized Dealer Phone #: _____

TABLE OF CONTENTS

INTRODUCTION

Safety	2
Registering Your Appliance	3
Product Identification	3

GETTING STARTED

Before Installation.....	4
Tools Required.....	4
Parts Provided.....	4
Vacation or Extended Time Without Use.....	5
Unpack the Ice Maker	5
Optional Personalizations.....	5

SITE PREPARATION

Product and Opening Dimensions	6
Location Requirements	7
Electrical Requirements.....	8
Water Supply Requirements.....	8
Drain Supply Requirements.....	9
Gravity Drain System	9

DOOR REVERSAL

Removing the Hinge Covers.....	10
Removing the Hinges	12
Preparing the Bottom Hinges.....	14
Reversing the Hinges	16

INSTALLATION

Connecting the Water Supply	18
Installing the Drain Pump	20
Connecting the Drain	26
Leveling and Securing.....	28
Custom Wood Panel Installation	32
Installing Auxiliary Grill	34

APPENDIX

Accessories	36
-------------------	----

TABLE DES MATIÈRES.....	39
-------------------------	----

GETTING STARTED

BEFORE INSTALLATION

Gather the required tools and parts before starting installation. Read and follow the instructions provided with any tools listed.

IMPORTANT: These instructions are intended as a general guide only and do not supersede any national or local codes in any way. Compliance with all local, state, or national codes pertaining to this type of installation should be determined prior to installation.

Installer: Please be sure to leave Installation Instructions with the homeowner.

Homeowner: Keep the Installation Instructions for future reference.

TOOLS REQUIRED

Gather the required tools before starting installation.

Tools Required

- Cordless drill and drill bits
- Phillips screwdriver
- Pencil
- Masking tape
- 2 adjustable wrenches
- Level
- Wood screws (custom door panel)
- Wood screws
- 2" Hole Saw or 2" Forstner bit
- Double sided adhesive tape

PARTS PROVIDED

- Cabinet brackets
- Drain hose and clamp (in hose bag) - on some models only
- Auxiliary grill kit

GETTING STARTED

VACATION OR EXTENDED TIME WITHOUT USE

When you will not be using the ice maker for an extended period of time, turn off the water and power supply to the ice maker.

Check that the water supply lines are insulated against freezing conditions. Ice formations in the supply lines can increase water pressure and cause damage to your ice maker or home. Damage from freezing is not covered by the warranty.

UNPACK THE ICE MAKER

WARNING

Excessive Weight Hazard

Use two or more people to move and install ice maker.

Failure to do so can result in back or other injury.

Removing Packaging Materials

Remove tape and glue from your ice maker before using.

- To remove any remaining tape or glue from the exterior of the ice maker, rub the area briskly with your thumb. Tape or glue residue can also be easily removed by rubbing a small amount of liquid dish soap over the adhesive with your fingers. Wipe with warm water and dry.
- Do not use sharp instruments, rubbing alcohol, flammable fluids, or abrasive cleaners to remove tape or glue. Do not use chlorine bleach on the stainless steel surfaces of the ice maker. These products can damage the surface of your ice maker.

Cleaning Before Use

After you remove all of the packaging materials, clean the inside of your ice maker before using it. See the cleaning instructions in the “Ice Maker Care” section.

OPTIONAL PERSONALIZATIONS

Reversing the Door

For how to reverse the door, refer the “Door Reversal” section.

Custom Panel Installation

For instructions on how to install a custom door panel, go to the “Custom Wood Door Panel” section.

If you plan to install a custom overlay panel, you will need to make the panel yourself or consult a qualified cabinetmaker or carpenter.

IMPORTANT:

- The thickness of the overlay panel must be 3/4" (1.91 cm).
- Overlay panel must not weigh more than 8 lbs (3.62 kg).
- Overlay panels weighing more than recommended may cause damage to your ice maker.
- Match wood grain direction with that of adjacent cabinets.
- Sand panel edges to provide a smooth finish.
- Use moisture sealer on both sides and all edges of the panel to avoid damage from moisture.

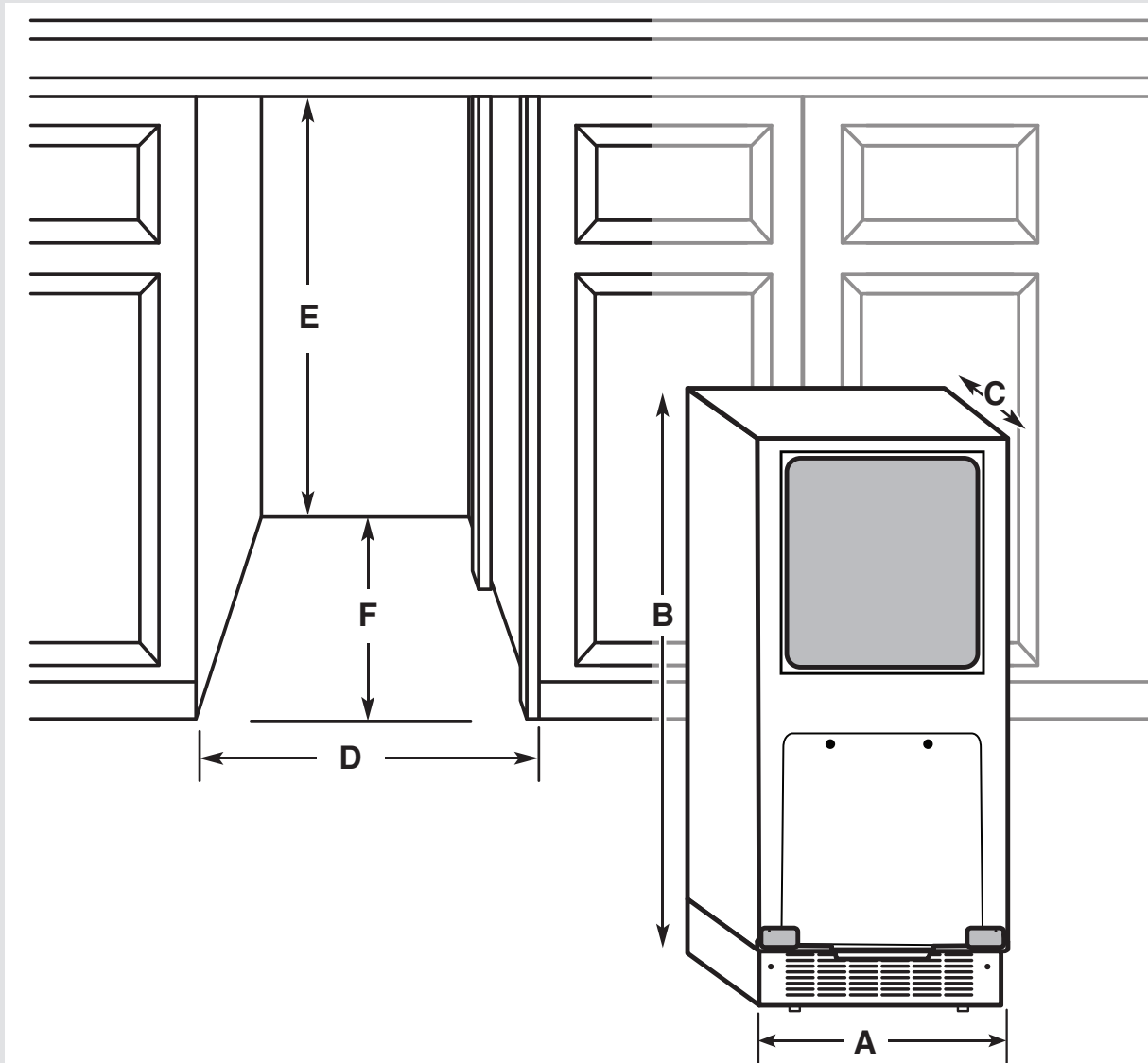
PARTS NEEDED:

- Instructions, #8 x 1/2" pan head wood screws (8)

Stainless Steel Panel Installation

Refer instructions received with Stainless Steel Panel kit for panel installation.

SITE PREPARATION

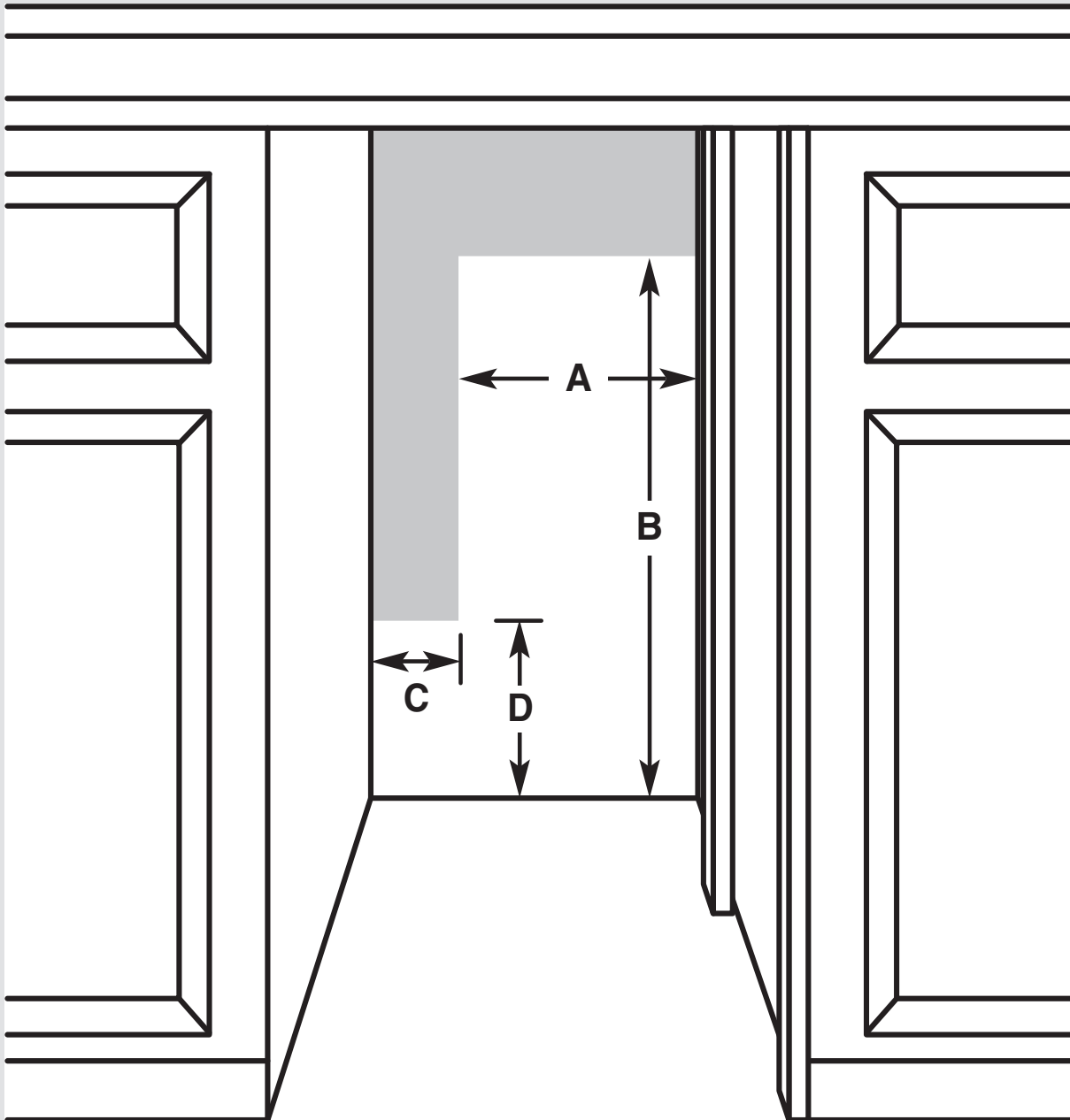


PRODUCT AND OPENING DIMENSIONS

Product Dimensions		
Product Width	A	14 ⁷ / ₈ " (37.8 cm)
Product Height	B	33 ³ / ₄ " (85.7 cm)
Product Depth (no door)	C	22 ¹ / ₁₆ " (56.1 cm)

Opening Dimensions		
Opening Width	D	15" (38.1 cm)
Opening Height	E	34" min (86.4 cm) 34 ¹ / ₂ " max (87.6 cm)
Opening Depth	F	24" (60.96 cm)

SITE PREPARATION



LOCATION REQUIREMENTS

Installation must comply with all governing codes and ordinances.

Temperature

It is recommended that you install the ice maker in a well-ventilated area with temperatures above 55°F (13°C) and below 110°F (43°C). Best results are obtained between 70°F and 90°F (21°C and 32°C).

Location

The ice maker must be installed in an area sheltered from the elements, such as wind, rain, or water spray.

To ensure proper ventilation for your ice maker, the front side must be completely unobstructed. The ice maker may be closed in on the top and three sides, however the installation should allow the ice maker to be pulled forward for servicing if necessary.

The auxiliary grill kit provided can be used to align the toe grill with the rest of the cabinets while not obstructing ventilation of the ice maker.

Floor must be able to support the ice maker's total weight, of more than 106 lbs (48.08 kg), including door panels and contents of the ice maker. It is important for the ice maker to be level in order to work properly. If needed, you can adjust the height of the ice maker by changing the height of the leveling legs. The face of the cabinetry must be flush with the front of the ice maker.


Check that the power supply cord, water supply line, and drain line (on some models) are not damaged, pinched, or kinked between the ice maker and the cabinet.

Utility Location Range		
Power Supply Cord Range	A	11½" (29.2 cm)
	B	28½" (72.4 cm)
Water Supply Line Range	C	3½" (8.9 cm)
	D	9" (22.9 cm)

SITE PREPARATION

ELECTRICAL REQUIREMENTS

⚠ WARNING



Electrical Shock Hazard

Plug into a grounded 3 prong outlet.

Do not remove ground prong.

Do not use an adapter.

Do not use an extension cord.

Failure to follow these instructions can result in death, fire, or electrical shock.

Electrical Requirements	
Power Supply	115 V, 60Hz, AC only
Circuit Breaker	15-20 A, fused
Receptacle	3 prong grounding-type
Outlet	Non-GFCI

IMPORTANT:

- Use an outlet that cannot be turned off by a switch. Do not use an extension cord.
- It is recommended that this product not be connected to a GFCI (Ground Fault Circuit Interrupter) protected outlet, as nuisance tripping of the power supply may occur.
- The ice maker must be grounded. The ice maker is equipped with a power supply cord having a grounded 3 prong plug. The cord must be plugged into a mating, grounded, 3 prong wall receptacle, grounded in accordance with the National Electrical Code and local codes and ordinances. If a mating wall receptacle is not available, it is the personal responsibility of the customer to have a properly grounded 3 prong wall receptacle installed by a qualified electrician.

WATER SUPPLY REQUIREMENTS

Before connecting the ice maker, ensure that the water supply lines are insulated against freezing conditions. Ice formations in the supply lines can increase water pressure and damage the ice maker or home. Damage from frozen supply lines is not covered by the warranty.

Use new hoses supplied with the product. Do not reuse old hoses.

Water Supply Requirements	
Water Pressure	30-120 psi (207-827 kPa)
Excess Water Line for Connection	30"
Water Inlet Supply	1/4" (6.35 mm) OD soft copper tubing
Drain Pump	With shut-off valve

IMPORTANT:

- Connect to potable water supply only.
- A reverse osmosis water filtration system is not recommended for ice makers that have a drain pump installed. Reverse osmosis water filtration systems are for gravity drain systems only.
- Connect the ice maker drain to your drain in accordance with the International Plumbing Code and any local codes and ordinance.
- To achieve a flush installation, the water shutoff valve should not be installed in the wall behind the refrigerator, but in another easily accessible location.
- The drain pump discharge line must terminate at an open-site drain.
 - Maximum rise 10 ft (3.1 m)
 - Maximum run 100 ft (30.5 m)

NOTE: If the drain hose becomes twisted and water cannot drain, your ice maker will not work.

Reverse Osmosis Water Supply

A reverse osmosis system may be used if the water pressure from the filtration system meets the required water pressure requirements.

If a reverse osmosis system is desired, only a whole-house capacity reverse osmosis system, capable of maintaining the steady water supply required by the ice maker, is recommended. Faucet capacity reverse osmosis systems are not able to maintain the steady water supply required by the ice maker.

SITE PREPARATION

DRAIN SUPPLY REQUIREMENTS

Connect the ice maker drain to your drain in accordance with all state and local codes and ordinances. Follow these guidelines when installing drain lines if the ice maker is provided with a gravity drain system. This will help keep water from flowing back into the ice maker storage bin. Water flowing back into the ice maker can potentially flow onto the floor and cause water damage.

Drain Requirements	
Inside Diameter	minimum 5/8" (15.88 mm)
Drain Lines	Drain lines must have a 1" drop per 48" of run (2.54 cm drop per 122 cm of run) or 1/4" drop per 12" of run (6.35 mm drop per 30.48 cm of run)
Maximum rise	10 ft (3.1 m)
Maximum run	100 ft (30.5 m)

The ideal installation has a standpipe with a 1½" (3.81 cm) to 2" (5.08 cm) PVC drain reducer installed directly below the outlet of the drain tube as shown. You must maintain a 1" (2.54 cm) air gap between the drain hose and the standpipe.

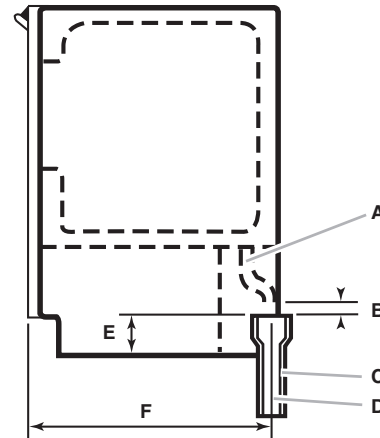
Do not connect the outlet end of the drain tube to a closed pipe system to keep drain water from backing up into the ice maker.

Drain pump maximum capability: For every 1 ft (0.31 m) of rise, subtract 10 ft (3.1 m) of maximum allowable run.

IMPORTANT: A drain pump is necessary when a floor drain is not available. A Drain Pump kit, Part Number 1901A, is available for purchase at jennair.com/accessories/details/1901A.

NOTE: It may be desirable to insulate the drain line thoroughly up to the drain inlet. An Insulation Sleeve kit, Part Number W10365792, is available for purchase at jennair.com/accessories/details/W10365792.

GRAVITY DRAIN SYSTEM

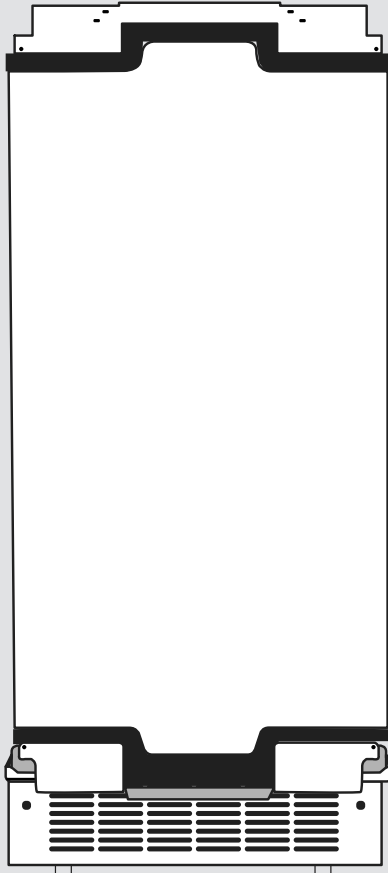


Gravity Drain System Dimensions		
Drain Hose	A	
Air Gap	B	1" (2.54 cm)
PVC Drain Reducer	C	2" to 1½" (5 cm - 3.8 cm)
Center of Drain	D	23" (58.4 cm) from front of door, with or without ¾" (1.9 cm) panel on the door, centered left to right (7 ⁹ / ₁₆ " [18.56 cm]) from either side of the ice maker.
Bottom of Ice Maker to top of PVC Drain Reducer	E	1 ⁷ / ₈ " (4.8 cm)
Depth to center of PVC Drain Reducer	F	23" (58.4 cm)

DOOR REVERSAL

! If door reversal is not needed, skip "Door Reversal" section and go to "Installation" section.

REMOVING HINGE COVERS



⚠ WARNING

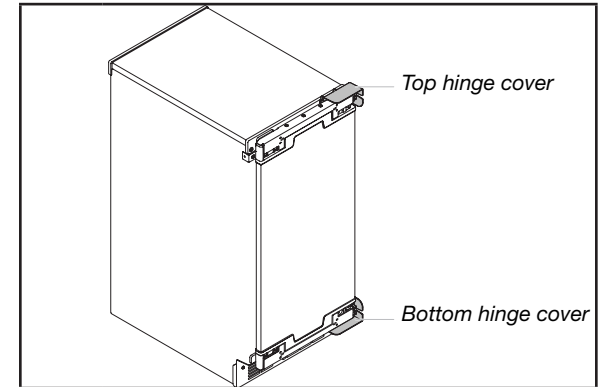


Crush Hazard

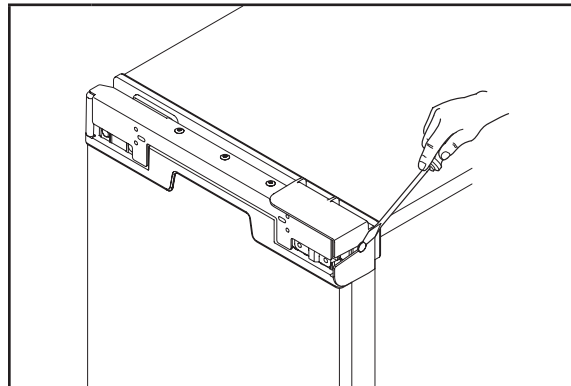
Articulated hinges are self closing and many pinch points exist prior to cabinet installation.

Do not remove hinge covers until product is ready to be installed.

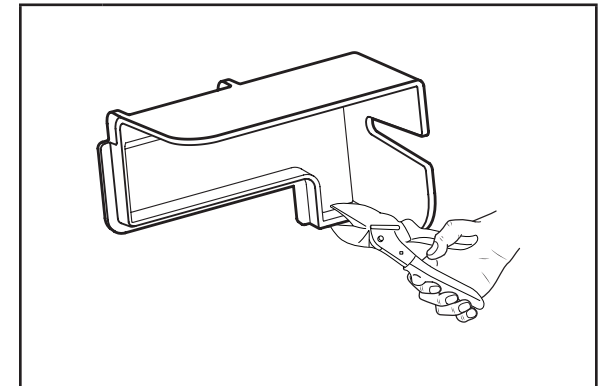
Failure to follow these instructions can result in crush, cut, or pinch injuries.



2 Remove the hinge cover from top and bottom hinges.



1 Remove the screws attaching top and bottom hinge covers using the flat head screwdriver.

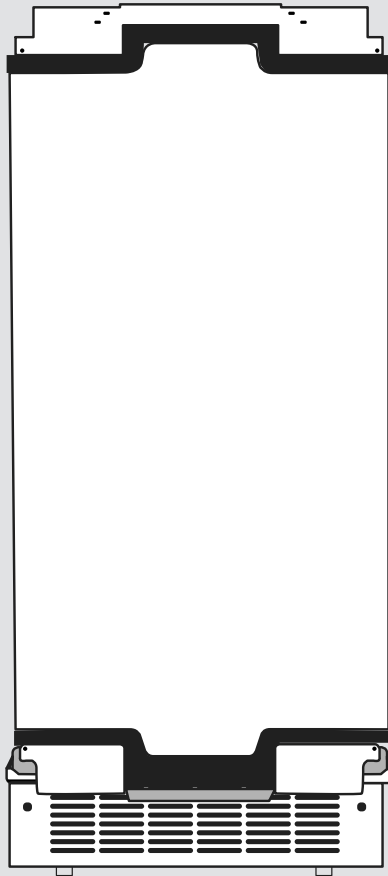


3 To remove hinge covers, cut hinge cover at indicated point using diagonal cutting plier and remove from hinges.


NOTE: Reinstall the hinge covers if product is removed from cabinet installation.

DOOR REVERSAL

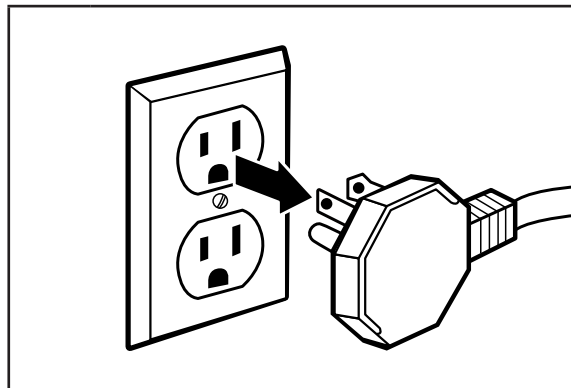
REMOVING THE HINGES



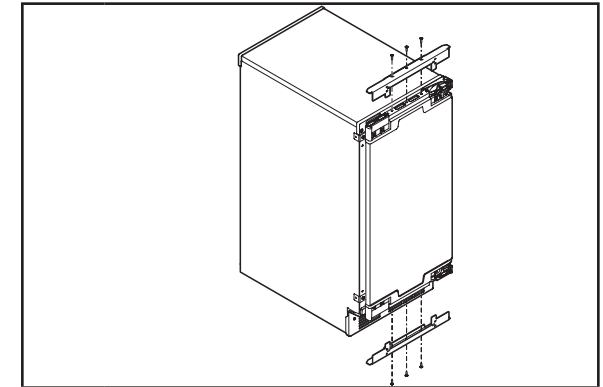
⚠ WARNING



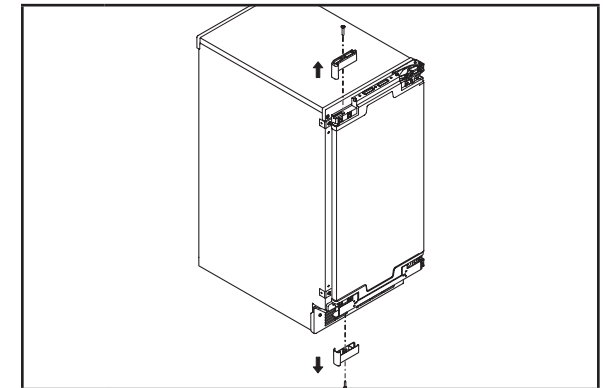
Electrical Shock Hazard
Disconnect power before servicing.
Replace all parts and panels before operating.
Failure to do so can result in death or electrical shock.



1 Unplug the ice maker or disconnect power.

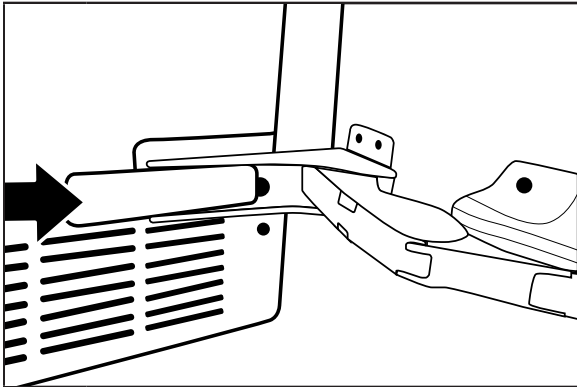


2 Remove screws (3) from the top and bottom metal brackets using the Phillips screwdriver. Remove and place metal brackets aside.

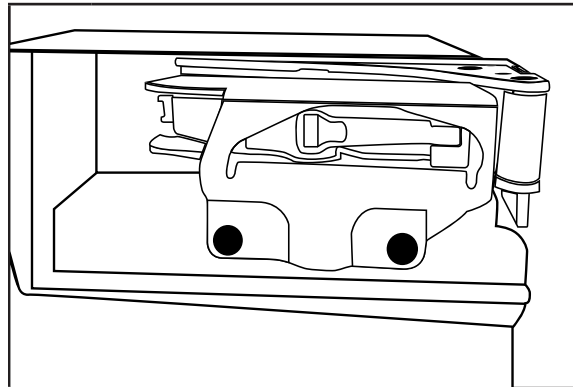


3 Remove screw (1) from the top and bottom plastic end caps using the Phillips screwdriver. Remove and place end caps aside.

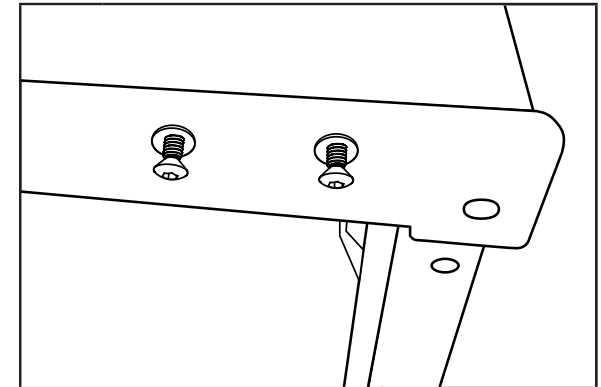
DOOR REVERSAL



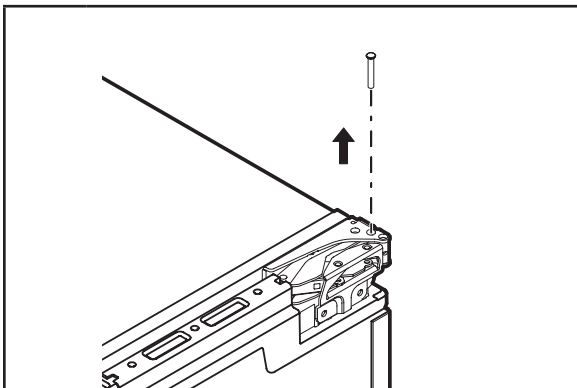
4 Remove the plastic screw cover from the inside of the hinges and place aside.



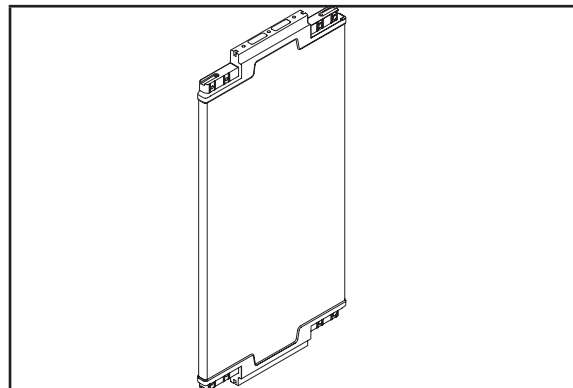
6 Unscrew the door hinge screws completely from top and bottom hinges.



8 Loosen the cabinet Phillips head screws halfway, so that the top and bottom hinges can slide off.



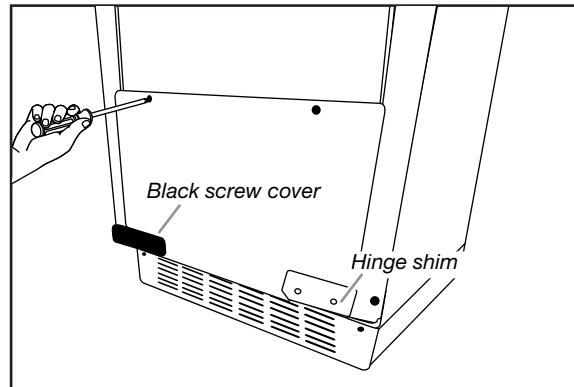
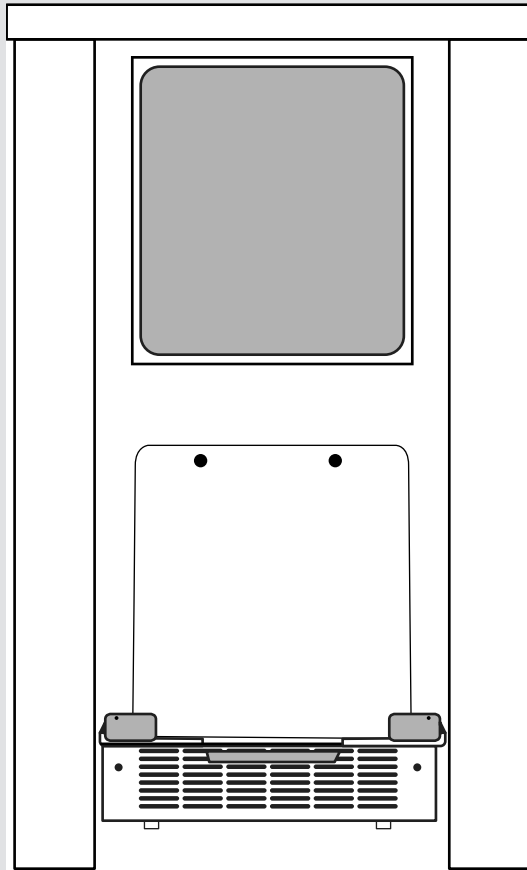
5 Remove door swing limit pin from top hinge and place aside.



7 Remove the door and place aside.

DOOR REVERSAL

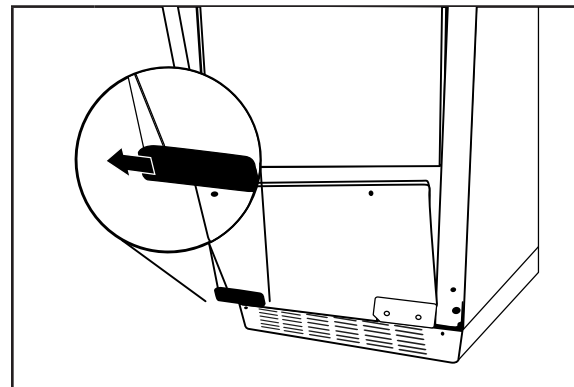
PREPARING THE BOTTOM HINGES



1

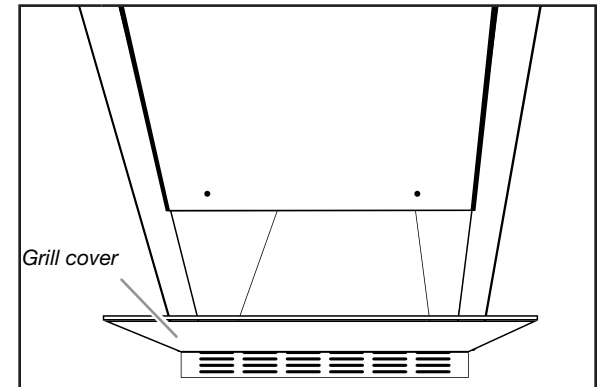
Once both hinges are removed, unscrew the grill cover using a TORX T20† screwdriver.

NOTE: The grill cover may fall open. This is normal.



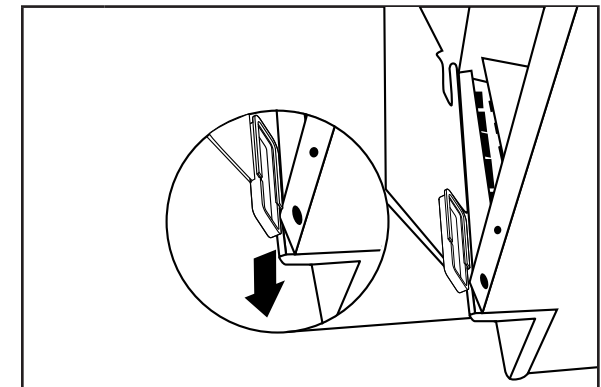
2

Remove the black screw cover from the grill by opening the grill cover, pushing the screw cap inwards, and sliding it out to the side. Remove the hinge shim.



3

To attach the black screw cover to the opposite side, first pull the grill cover out.

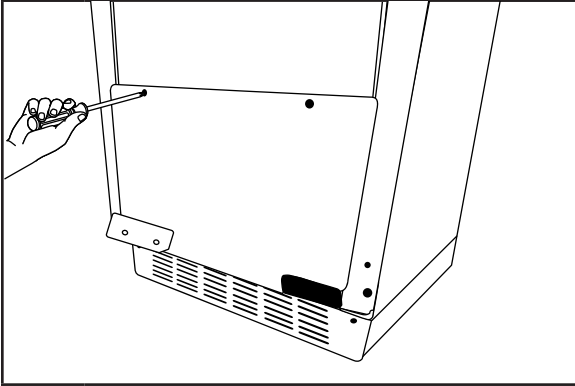


4

Place the black screw cover between the grill and the screws. Install the hinge shim on the opposite side, making sure the notch face down and in.

NOTE: Be sure that all of the cover edges are behind the lip of the grill, or it will not stay in place.

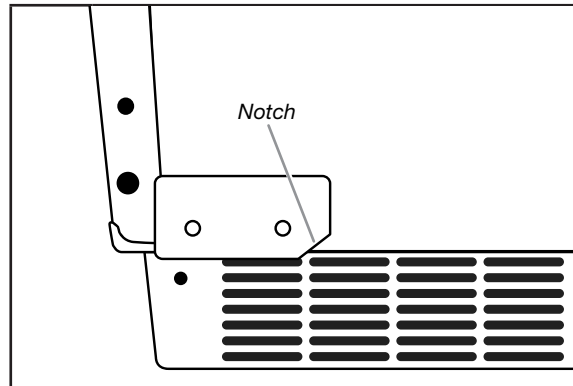
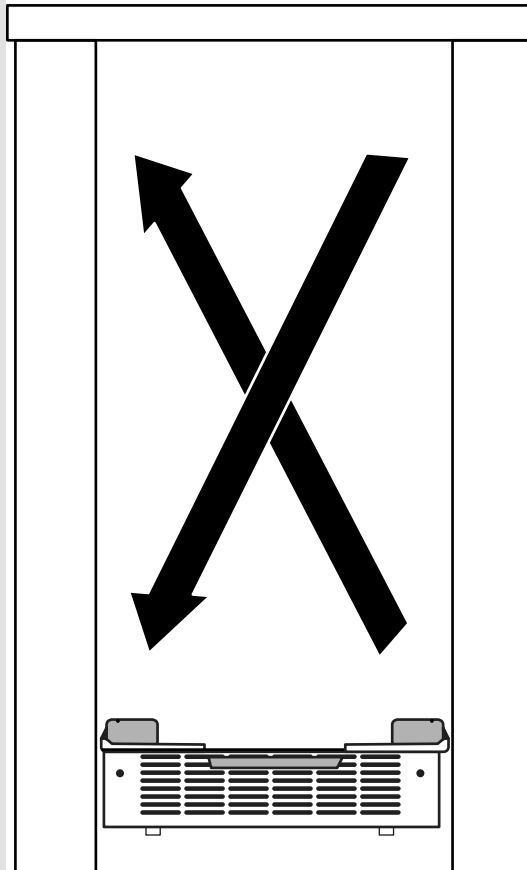
DOOR REVERSAL



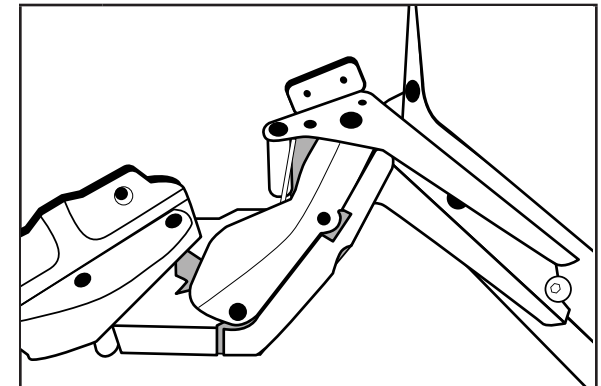
5 Once the cover is secured, push the grill cover back into its original position, and reinstall the grill screws.

DOOR REVERSAL

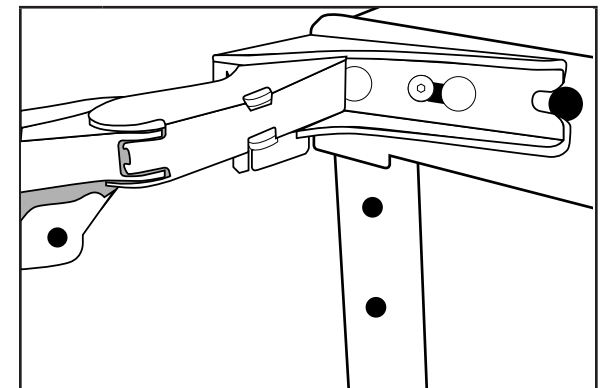
REVERSING THE HINGES



- 1** Place the hinge shim on the opposite side of the ice maker.
NOTE: The hinge shim is notched on the bottom-inner side to indicate proper placement. Flip the hinge shims as needed to make sure that the notches are facing in and down.

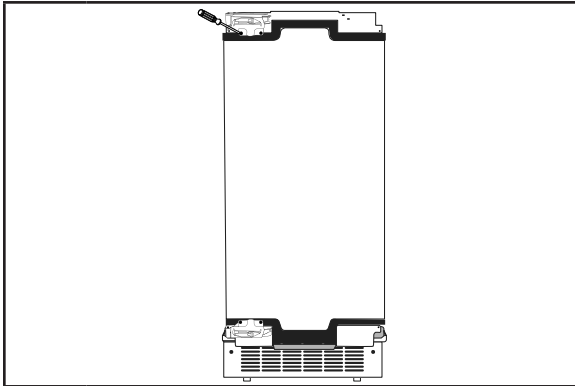


- 2** Take the original upper hinge, flip it and place it in the lower hinge position on the opposite side. Rest it on the cabinet hinge screws (i.e. the upper right hinge is now the lower left hinge). The extensions on the hinges should always face inside, not outside.

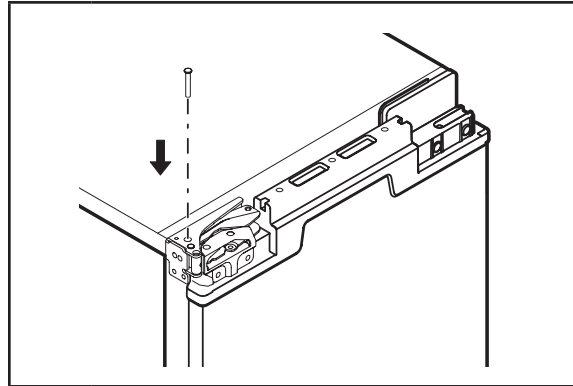


- 3** Take the original lower hinge, flip it and place it in the upper hinge position on the opposite side. Rest it on the cabinet hinge screws.

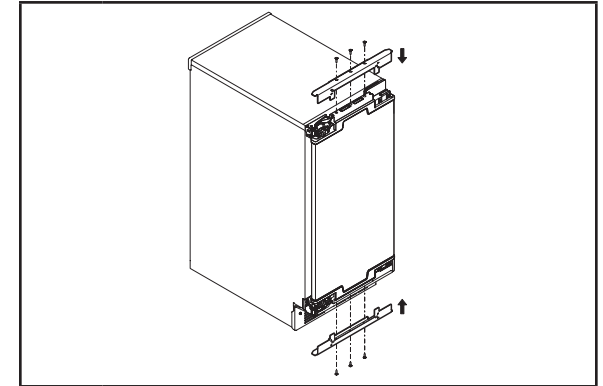
DOOR REVERSAL



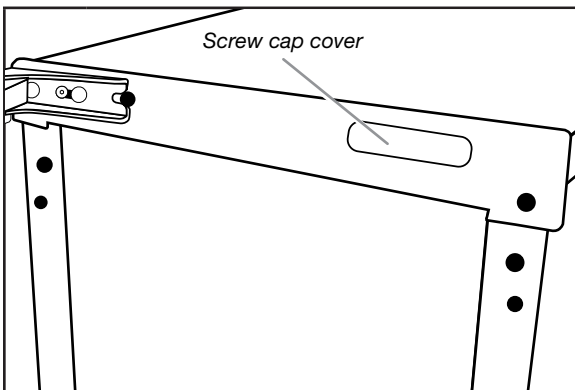
4 Both hinges should be resting on the cabinet hinge screws. Be sure to fully tighten all screws.



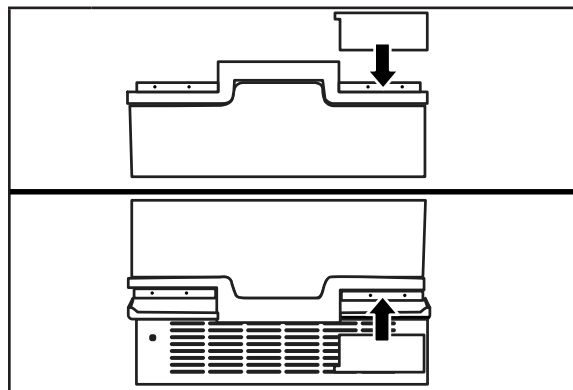
6 Reinstall the door swing limit pin on top hinge.



8 Using screws (3), reinstall the top and bottom metal brackets on the door.



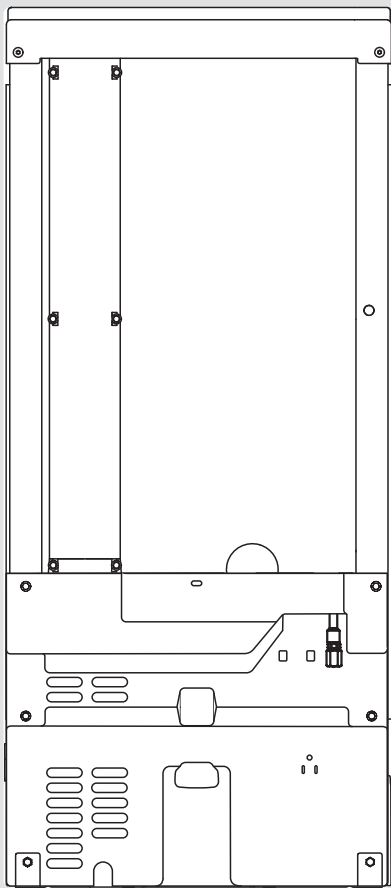
5 Place screw cap covers on all open screw holes. Screw cap covers must also be placed at the original locations of the hinges.



7 Install the top and bottom plastic end caps on the door (the upper right end cap is now the lower left end cap and vice versa).

INSTALLATION

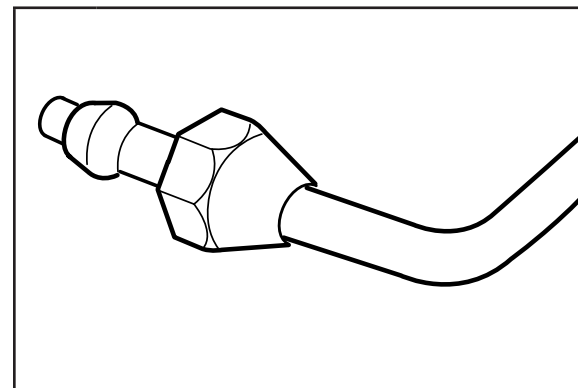
CONNECTING THE WATER SUPPLY



IMPORTANT:

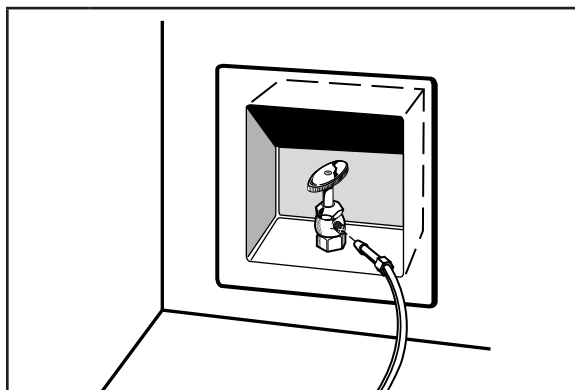
- Plumbing shall be installed in accordance with the International Plumbing Code and any local codes and ordinances.
- Use copper tubing or JennAir supply line, Part Number 8212547RP, and check for leaks.
- Install tubing only in areas where temperatures will remain above freezing.

Turn off main water supply. Turn on nearest faucet line long enough to clear line of water.



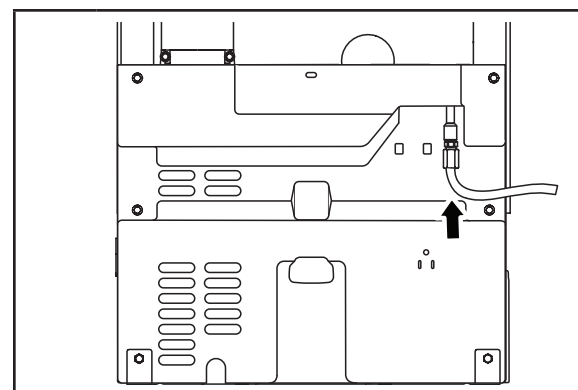
2

Use 1/4" (6.35 mm) O.D. soft copper tubing with square cut ends for the cold water supply. Slip the compression sleeve and nut onto the copper tubing. Be sure that you have the proper length needed for the job.



1

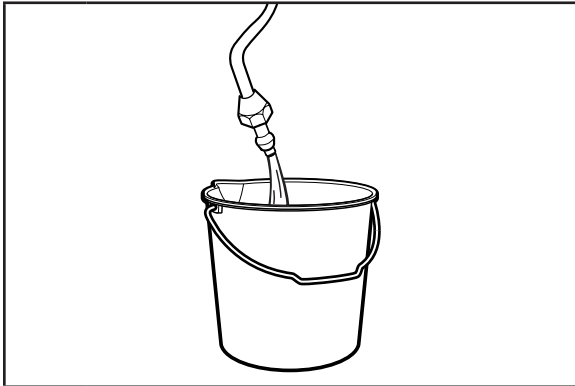
Using a minimum 1/2" copper tubing with a quarter turn shut-off valve or the equivalent supply line, connect the ice maker as shown.



3

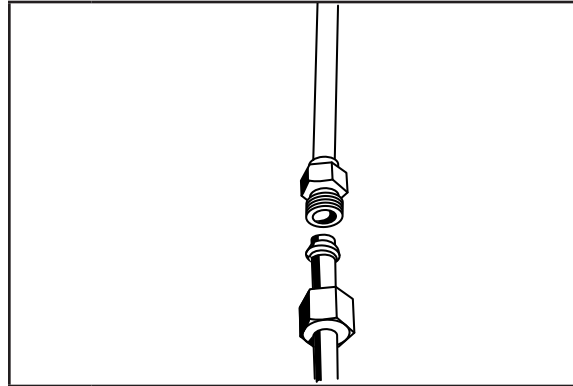
Insert end of tubing squarely into outlet end as far as it will go. Screw compression nut onto outlet end with adjustable wrench.

INSTALLATION

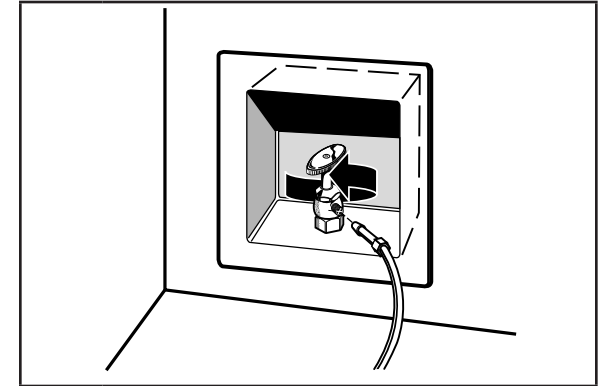


4 Flush out tubing by placing the free end of the tubing into a container or sink, and turning on the main water supply until water is clear. Turn off shut-off valve on the water pipe.

IMPORTANT: Always drain the water line before making the final connection to the inlet of the water valve to avoid possible water valve malfunction.



5 Remove and discard the short, plastic tube from the end of the water line inlet. Thread the nut onto the end of the tubing. Tighten the nut by hand. Then tighten it with a wrench two more turns. Do not overtighten.

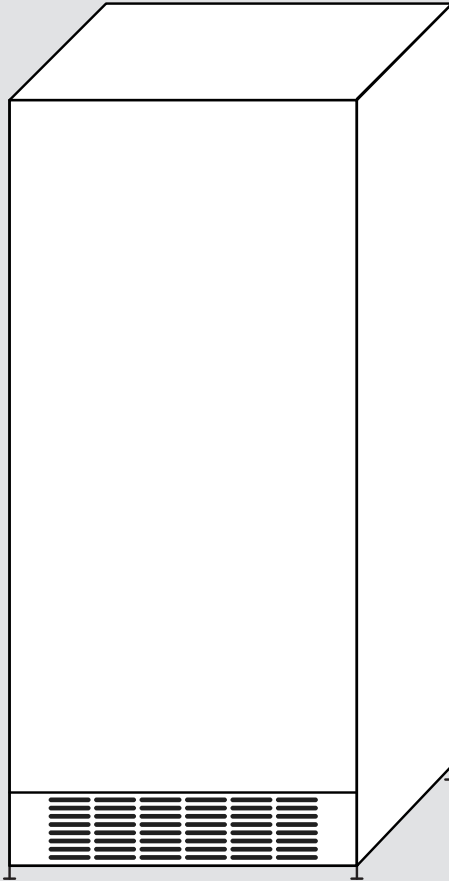


6 Turn shutoff valve on. Check for leaks. Tighten any connections (including connections at the valve) or nuts that leak.

INSTALLATION

! If drain pump is not needed, skip “Drain Pump Installation” section and go to “Connecting the Drain” section.

INSTALLING THE DRAIN PUMP - SITE PREPARATION



NOTES:

- Connect drain pump to your drain in accordance with all state and local codes and ordinances.
- It may be desirable to insulate drain tube thoroughly up to drain inlet to minimize condensation on the drain tube. Insulated tube kit Part Number W10365792 is available for purchase.
- Drain pump is designed to pump water to a maximum height of 10 ft (3 m). Use only Whirlpool approved drain pump kit Part Number 1901A.
- Do not connect the outlet end of the drain tube to a closed pipe system to keep drain water from backing up into the ice maker.

Kit Contains:

- Drain pump kit Part Number 1901A
- 5/8" I.D. x 51/8" drain tube (ice maker bin to drain pump reservoir inlet)
- 1/2" I.D. x 10 ft (3 m) drain tube hose (drain pump discharge to household drain)
- 5/16" I.D. x 32" (81 cm) vent tube (drain pump reservoir vent to ice maker cabinet back)
- Cable tie (secures vent tube to black suction tube) (1)
- #8-32 x 3/8" pump mounting screws (secures drain pump to baseplate and clamps to back of ice maker) (5)
- 5/8" small adjustable hose clamp (secures vent to drain pump)
- 7/8" large adjustable hose clamp, (secures drain tube to ice maker bin and drain pump reservoir inlet) (3)
- Instruction sheet

If Ice Maker is Currently Installed

NOTE: If ice maker is not installed, please proceed to “Drain Pump Installation” section.

WARNING



Electrical Shock Hazard

Disconnect power before servicing.

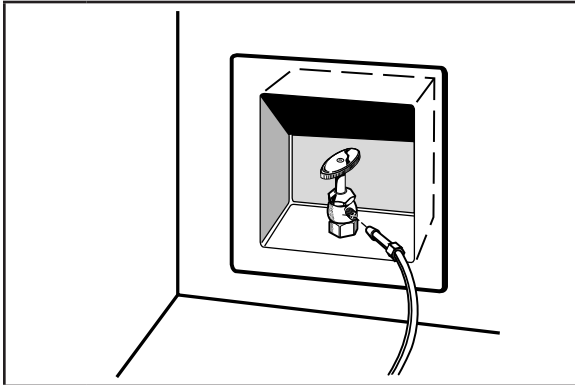
Replace all parts and panels before operating.

Failure to do so can result in death or electrical shock.

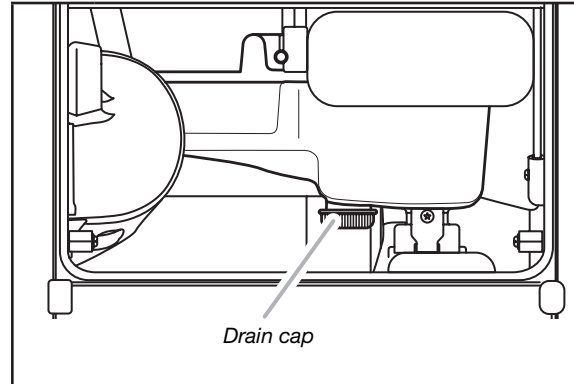
1

Press the OFF button to Stop ice production. Then unplug the ice maker or disconnect power.

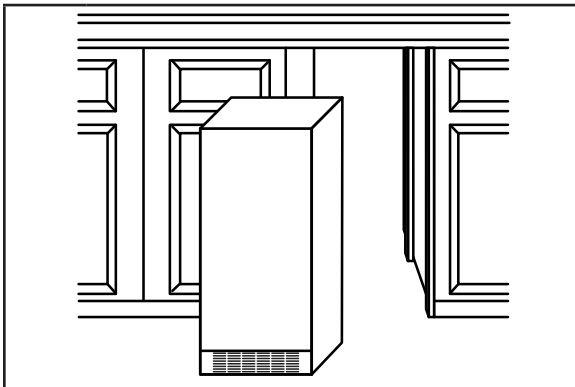
INSTALLATION



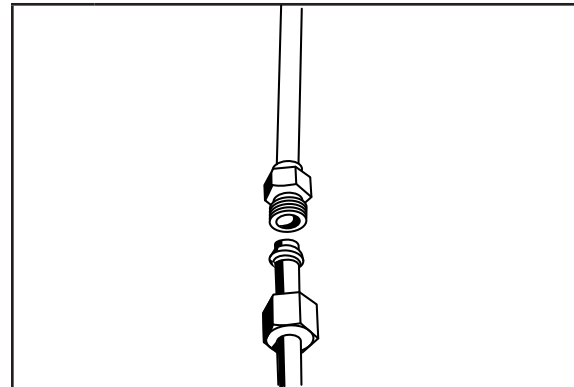
2 Turn off water supply. Wait 5 to 10 minutes for the ice to fall into the storage bin. Remove all ice from bin.



4 Unscrew the drain cap from the bottom of the water pan located inside the storage bin. Allow water to drain completely.



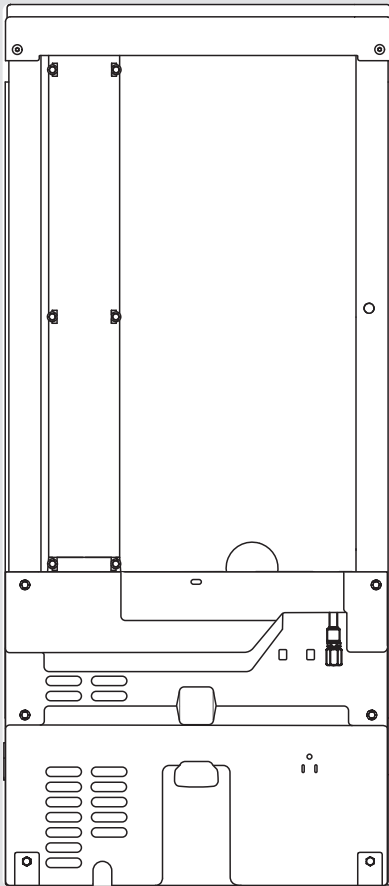
3 If ice maker is built into cabinets, pull ice maker out of the opening.



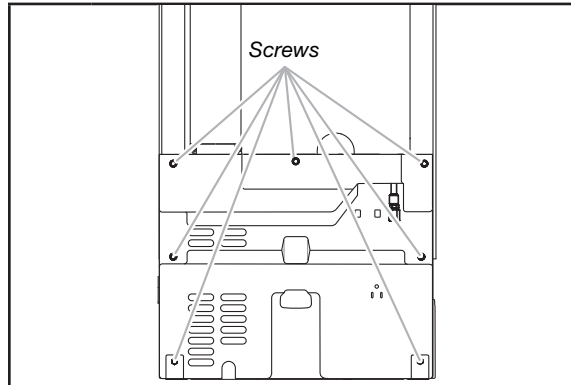
5 Disconnect water supply line.

INSTALLATION

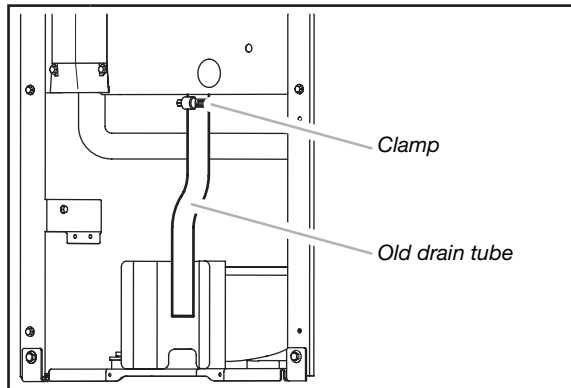
INSTALLING THE DRAIN PUMP



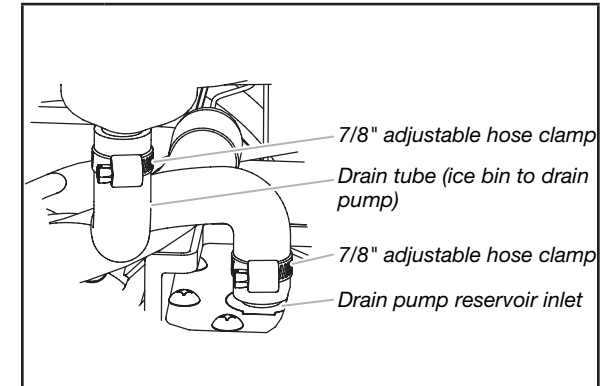
NOTE: Do not kink, smash or damage tubes or wires during installation.



1 Unscrew the screws (7) attaching rear panel to ice maker. Remove the rear panel.



2 Remove the old drain tube and clamp attached to the ice maker bin.
NOTE: Discard old drain tube and clamp.

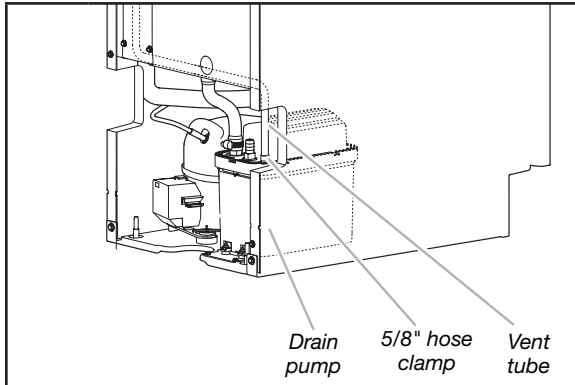


3 New drain tube (5/8" I.D. x 5 1/8") is provided in the ice maker bin. Install new drain tube to drain pump reservoir inlet using new adjustable clamps.

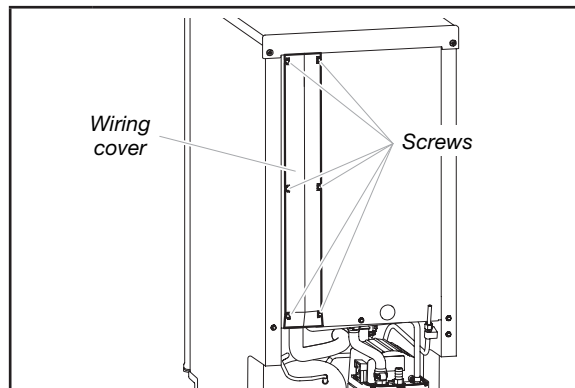
NOTES:

- Do not kink.
- Trim tube length if required.

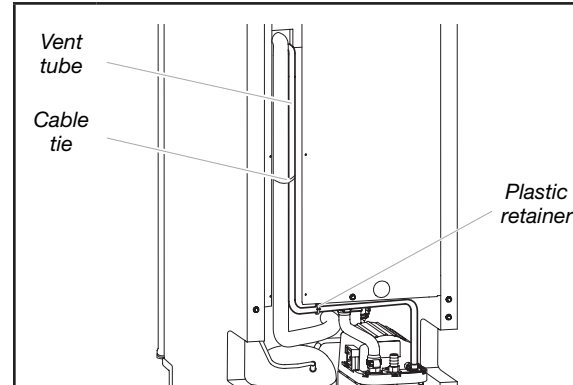
INSTALLATION



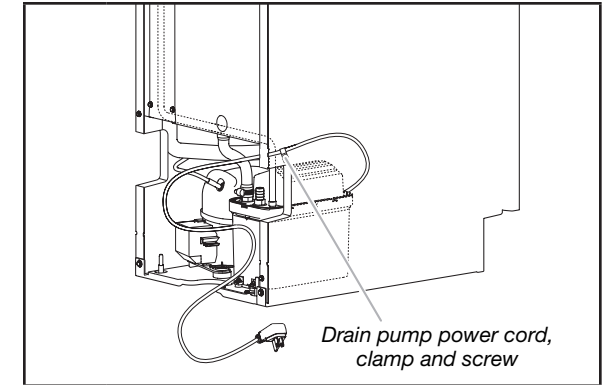
4 Install vent tube [5/16" I.D. x 32" (81 cm)] to drain pump reservoir vent. Use one of the supplied 5/8" small adjustable clamp.



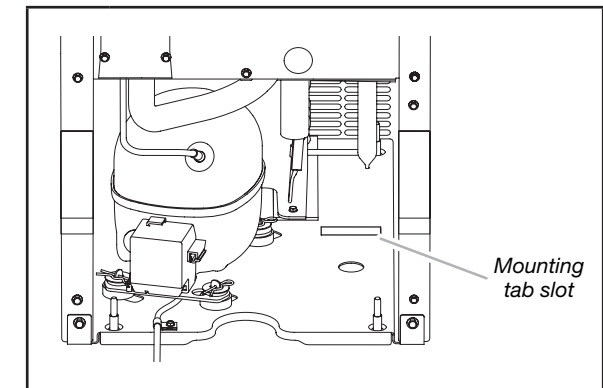
5 Unscrew the screws attaching wiring cover to the ice maker. Remove wiring cover.



6 Route vent tube through plastic retainer that is located underneath top deck in open pump area as shown in the illustration. Using cable tie, tie the vent tube to the black suction tube which is located behind the wiring cover. Secure wiring cover back in place.
NOTE: Do not overtighten the vent tube, it may block the airflow through tube.



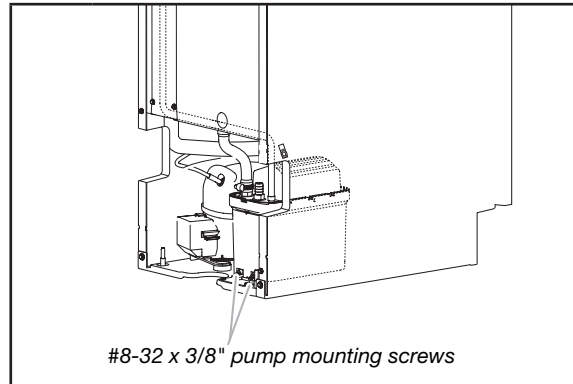
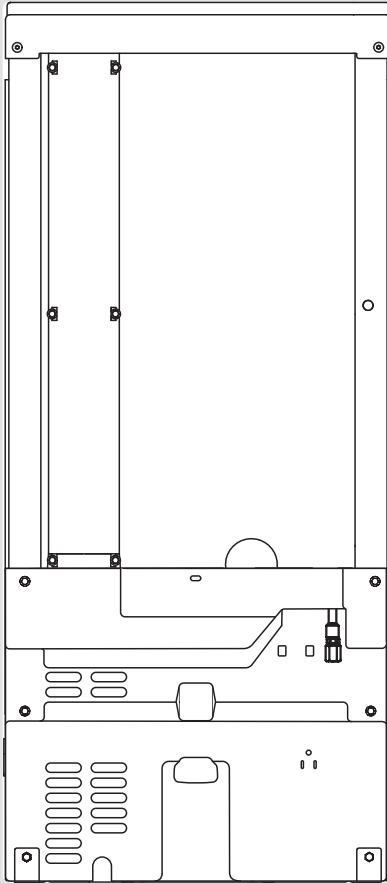
7 Remove power cord clamp and ground screw attached to ice maker power cord, which is mounted to the unit side wall.



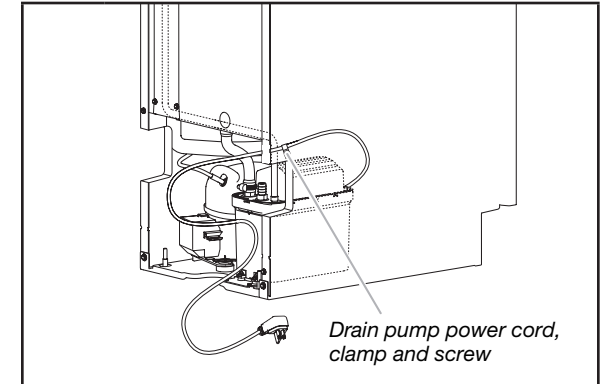
8 Slide drain pump into the ice maker base on the right side. The pump mounting tab should slip into the rectangular slot in the ice maker base. It will be necessary to tip the pump slightly to slip into the slot.

INSTALLATION

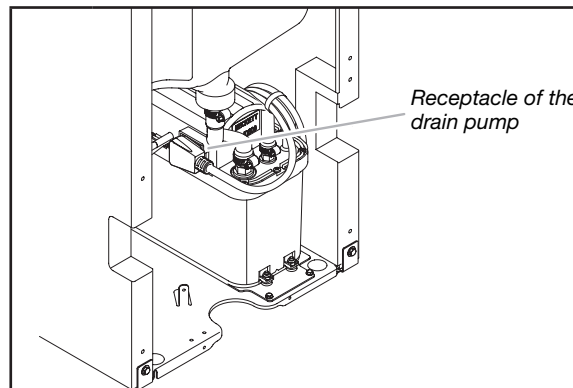
INSTALLING THE DRAIN PUMP (CONT.)



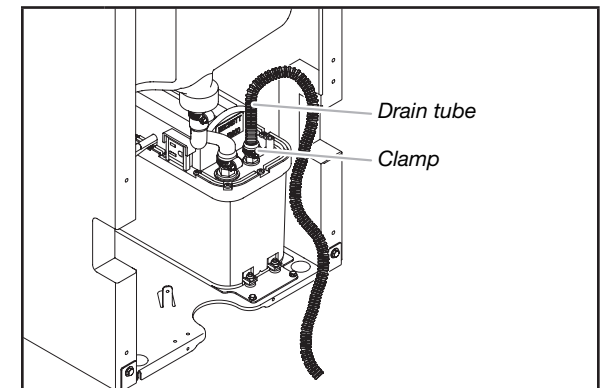
- 9** Align the 2 screw holes at the rear of the pump. Use two #8-32 x 3/8" screws, supplied.



- 11** Attach the drain pump power cord to ice maker unit side wall with clamp and screw (removed in Step 7) that was used to attach ice maker power cord.

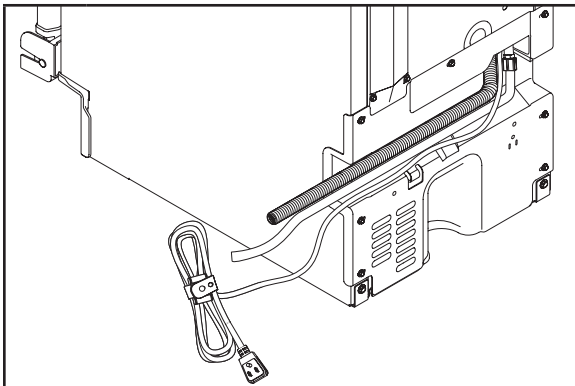


- 10** Coil ice maker power cord into a 4" (10.2 cm) diameter coil. Wrap electrical tape around the power cord in several places to keep the cord in a coil. Locate coiled power cord between the drain pump and side of enclosure and plug into the receptacle of the drain pump.

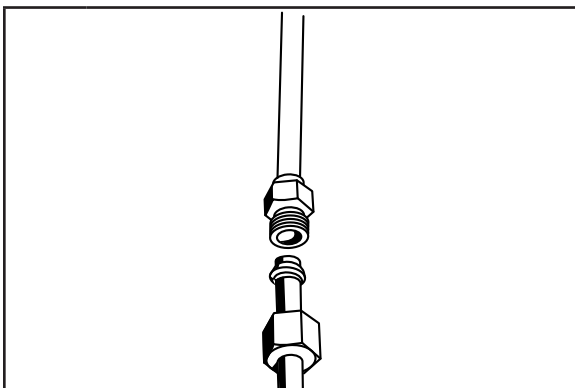


- 12** Attach 1/2" I.D. x 10 ft (3 m) drain tube to pump discharge tube. Tighten with clamp received with the drain tube.

NOTE: Do not connect outlet end of drain tube to a closed pipe system to keep drain water from backing up into the ice maker.



13 Place rear panel against the back of the ice maker. Route drain pump discharge tube and drain pump power cord, through the slot provided on the ice maker back panel.

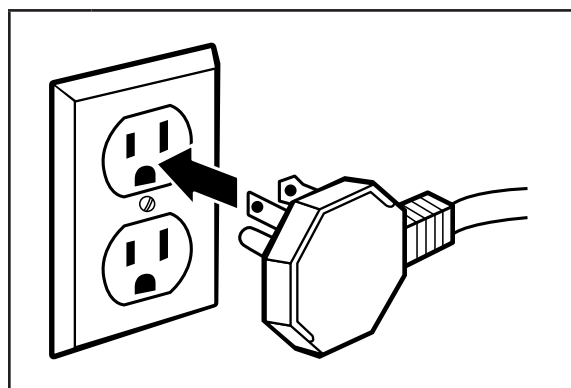


14 Connect ice maker to water supply and install ice maker as specified by the product installation instructions. Check all connections for leaks.

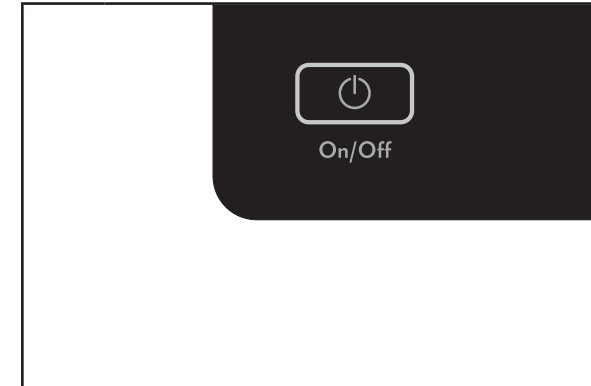
⚠ WARNING



Electrical Shock Hazard
Plug into a grounded 3 prong outlet.
Do not remove ground prong.
Do not use an adapter.
Do not use an extension cord.
Failure to follow these instructions can result in death, fire, or electrical shock.



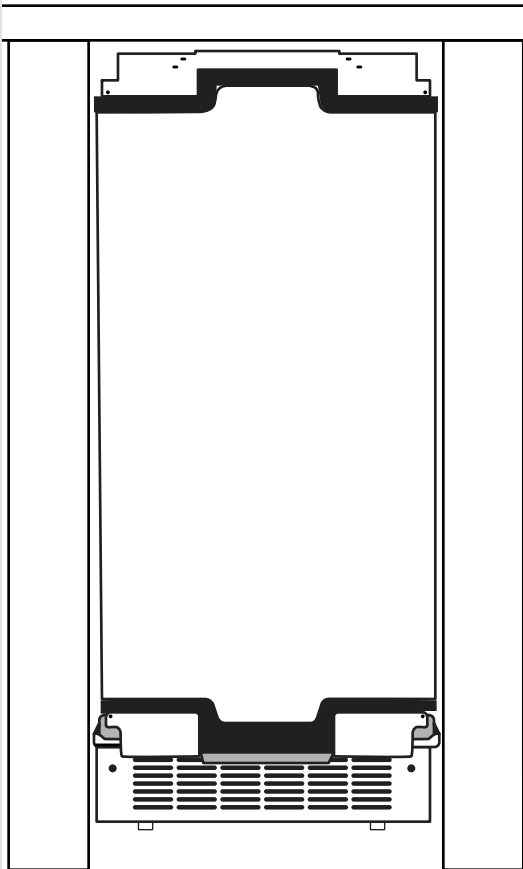
15 Plug in ice maker or reconnect power.



16 Turn on ice maker. Wait for rinsing cycle, approximately 5 minutes, to be sure the ice maker is operating properly.

INSTALLATION

CONNECTING THE DRAIN

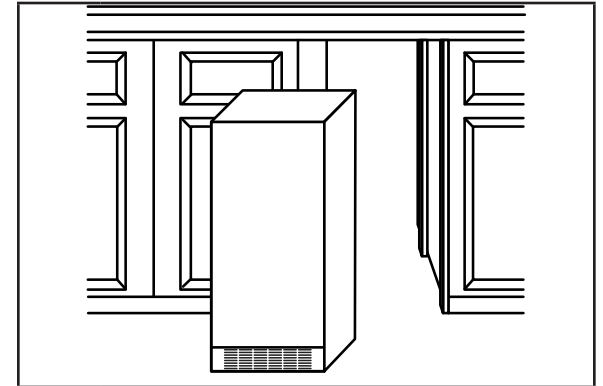


⚠ WARNING

Excessive Weight Hazard

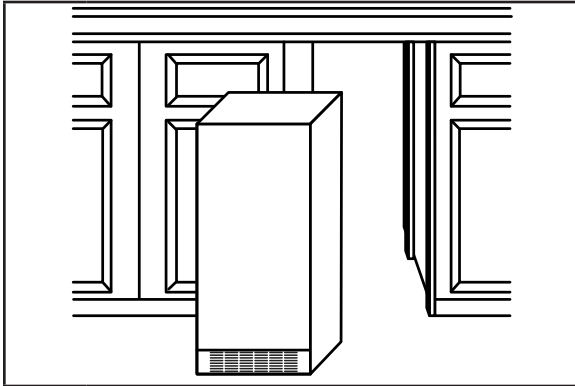
Use two or more people to move and install ice maker.

Failure to do so can result in back or other injury.



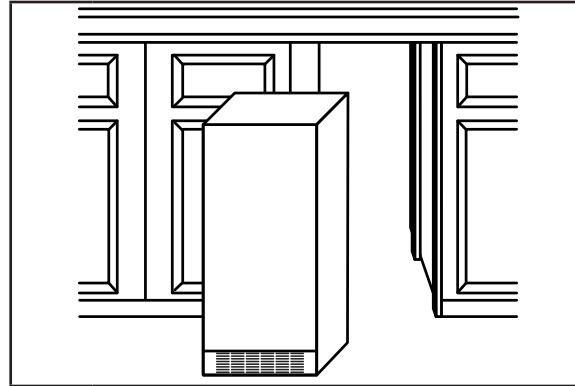
1

Place the ice maker near its final location.

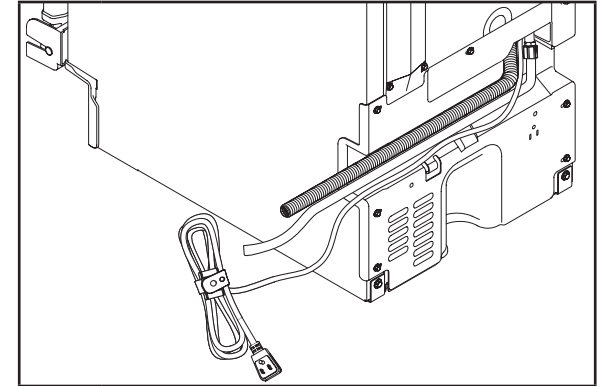


2 **Style 1**—For a gravity drain system, push the ice maker into position so that the ice maker drain tube is positioned over the PVC drain reducer. See the “Gravity Drain System” section.

Style 2—For a drain pump system, connect the drain pump outlet hose to the drain. See the “Drain Supply Requirements” section.

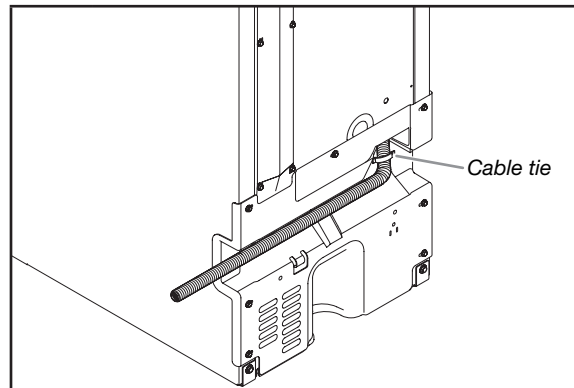


3 Recheck the ice maker to make sure that it is level. See the “Leveling and Securing” section.



5 Install ice maker into cabinet. Push any extra drain hose or power cord in the slot provided on the ice maker back panel. Follow the same procedure while placing the unit back in the cabinets after servicing.

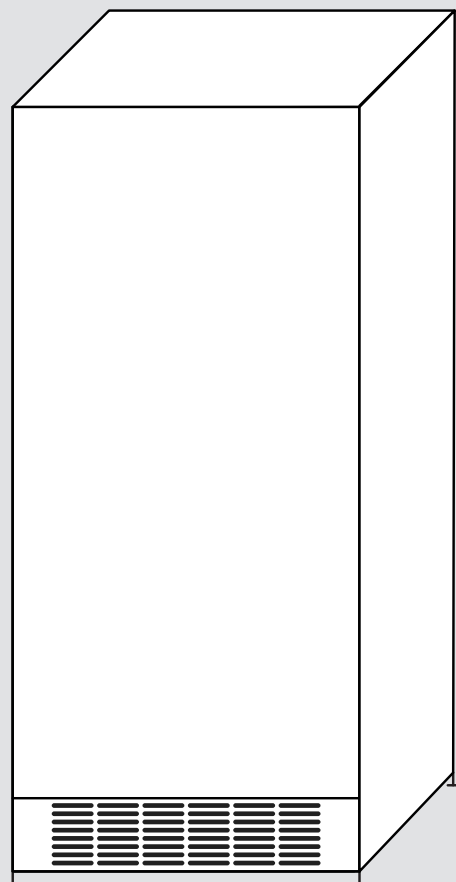
NOTE: Connections can be routed out from both right and left sides. The illustration shows the connections routed out from the left side.




4 Using cable tie, fix the drain pipe to rear panel as shown in the illustration. Two holes are provided on rear panel to fix the cable tie.

INSTALLATION

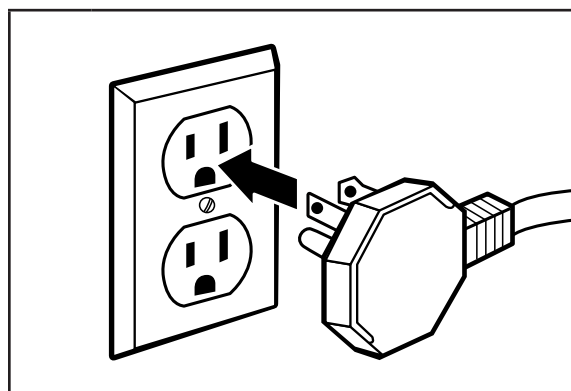
LEVELING AND SECURING



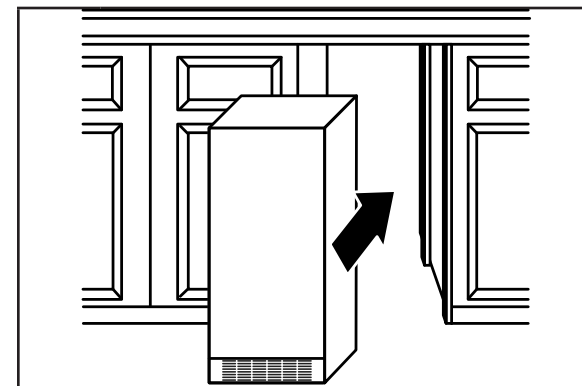
⚠ WARNING



Electrical Shock Hazard
Plug into a grounded 3 prong outlet.
Do not remove ground prong.
Do not use an adapter.
Do not use an extension cord.
Failure to follow these instructions can result in death, fire, or electrical shock.




1 Plug into a grounded 3 prong outlet.



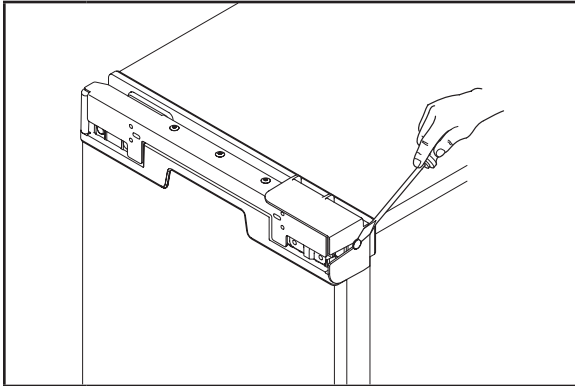
2 Move the ice maker in front of its final location.

⚠ WARNING

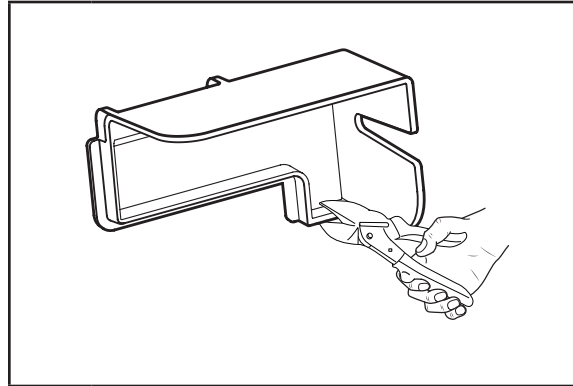


Crush Hazard
Articulated hinges are self closing and many pinch points exist prior to cabinet installation.
Do not remove hinge covers until product is ready to be installed.
Failure to follow these instructions can result in crush, cut, or pinch injuries.

INSTALLATION

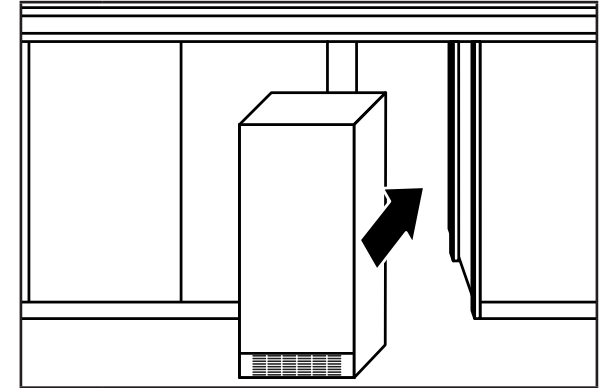


3 Remove the screws attaching top and bottom hinge covers using the flat head screwdriver.

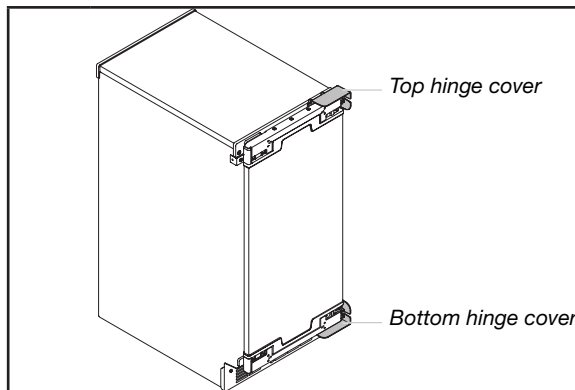


5 To remove hinge covers, cut hinge cover at indicated point using diagonal cutting plier and remove from hinges.

NOTE: Reinstall the hinge covers if product is removed from cabinet installation.

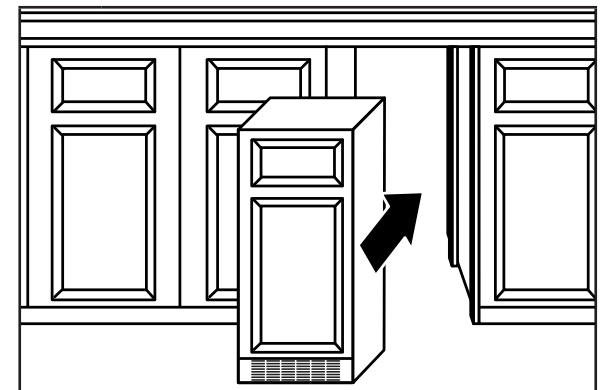


7 Slide unit into the cabinet. Adjust the unit until the unit panel is flush with adjacent cabinets from all sides.



4 Remove the hinge cover from top and bottom hinges.

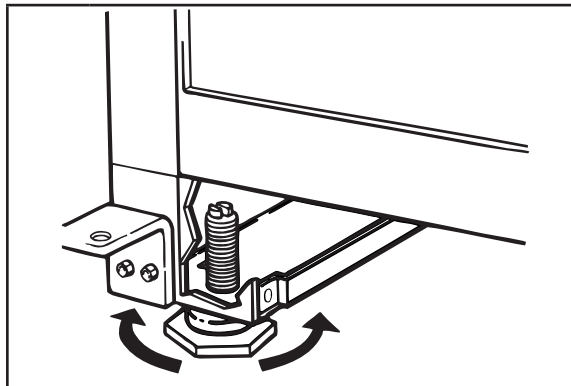
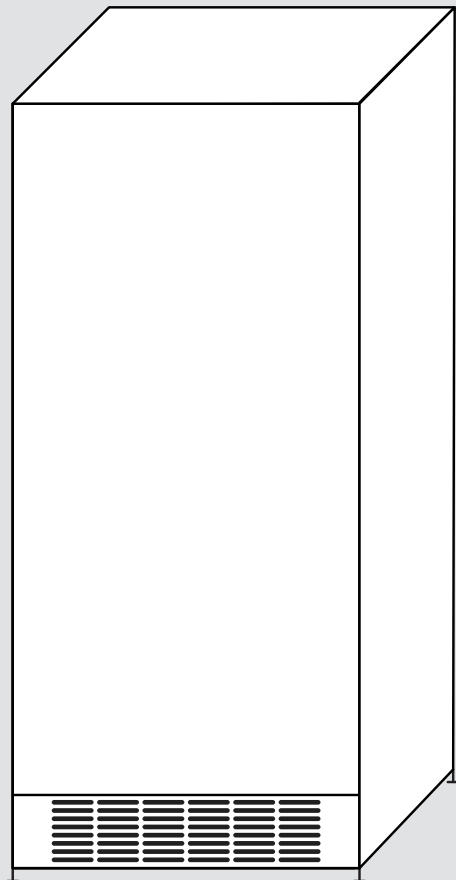
6 Refer instructions received with kit to install stainless steel panel. Skip this step and go to step 8, if custom wood panel is to be installed.



8 Slide unit into the cabinet. Hold the custom wood door panel on the door. Adjust the unit so that the panel is flush with adjacent cabinets from all sides. For stainless steel panel installation, skip this step.

INSTALLATION

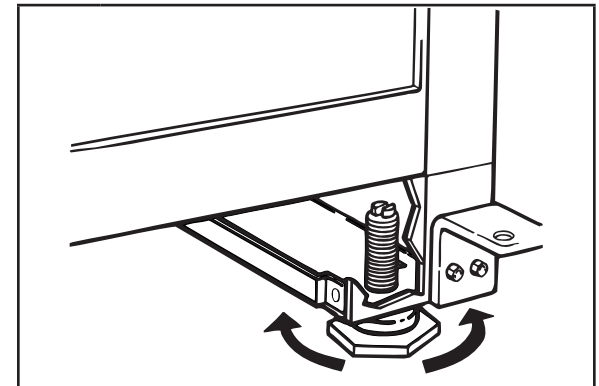
LEVELING AND SECURING (CONT.)



9

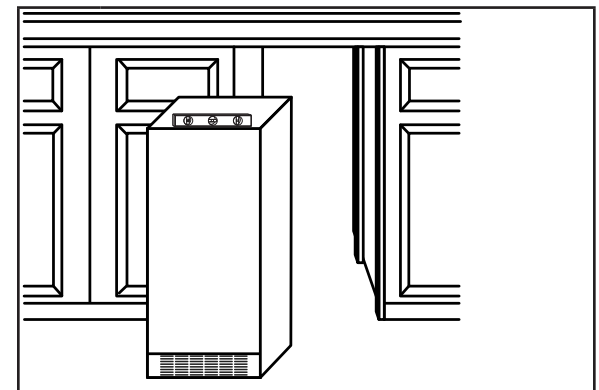
Push up on the top front of the ice maker and locate the leveling screws on the bottom front. Using an adjustable wrench, adjust the height of the legs as follows:

- Turn the leveling leg to the right to lower the ice maker.
- Turn the leveling leg to the left to raise the ice maker.



10

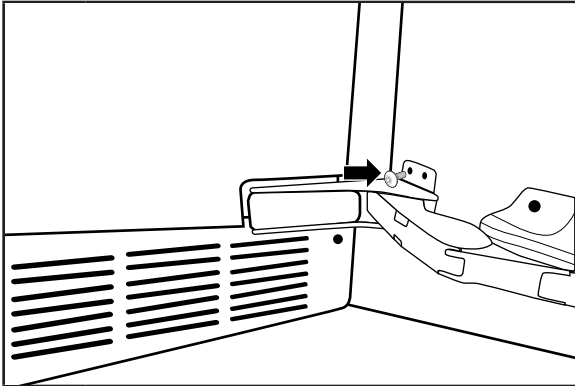
Push up on the top rear of the ice maker and locate the leveling legs on the bottom rear. Repeat instructions in Step 3 to adjust the height of the rear legs.



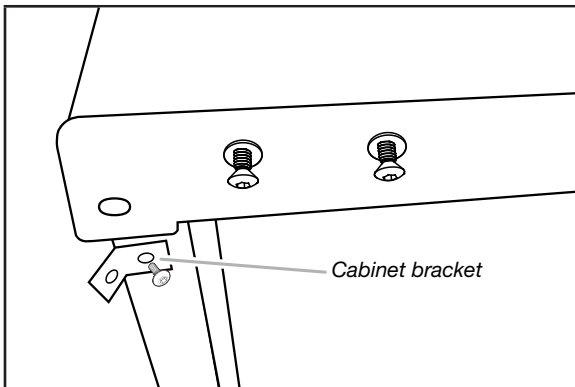
11

Use the level to recheck that the ice maker is even from front to back and side to side. If the ice maker is not level, repeat steps 9-10.

INSTALLATION



12 Secure the top and bottom hinges to the side of the cabinet using wood screws.

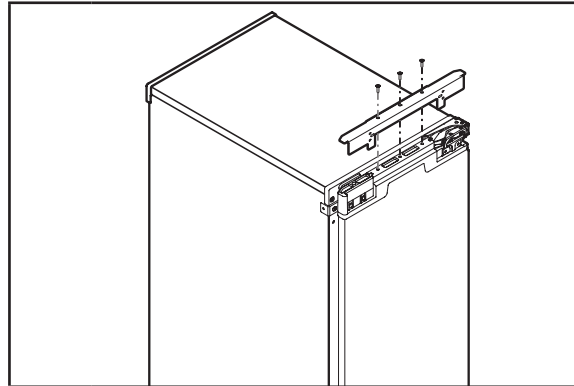
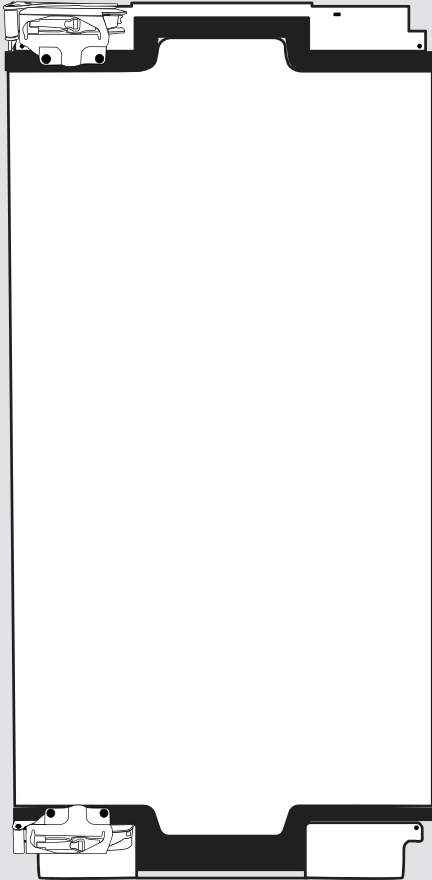


13 Holes are provided on the non hinge side for cabinet brackets installation. Attach cabinet brackets (provided with unit) to front of ice maker as shown in the illustration. Attach the cabinet brackets to the side of the cabinet with wood screws.

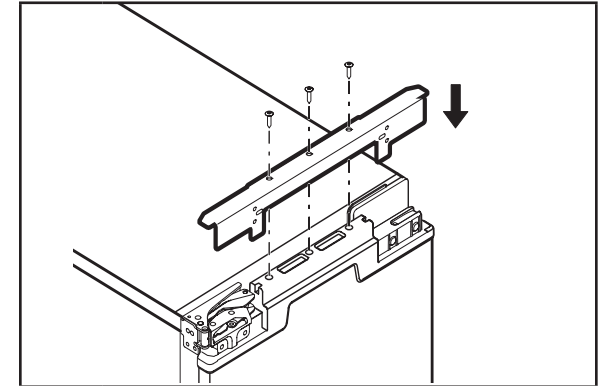
INSTALLATION

! If stainless steel panel is installed, skip "Custom Wood Door Panel" section.

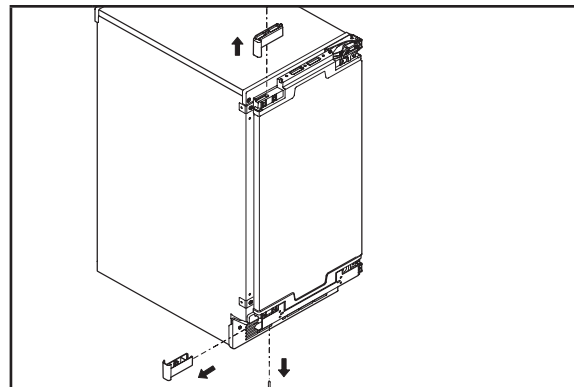
CUSTOM WOOD DOOR PANEL



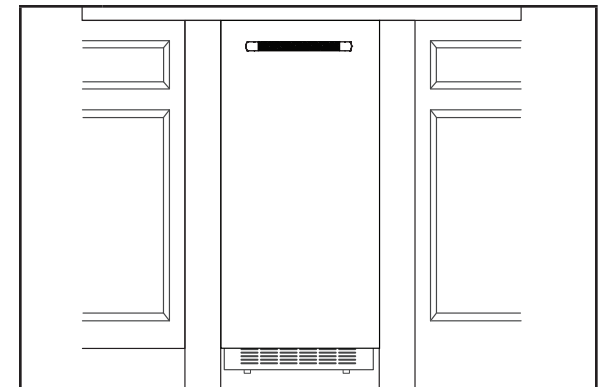
1 Remove screws (3) from the top metal bracket. Remove and place metal bracket aside.



3 Reinstall top metal bracket using screws (3) removed in Step 1.

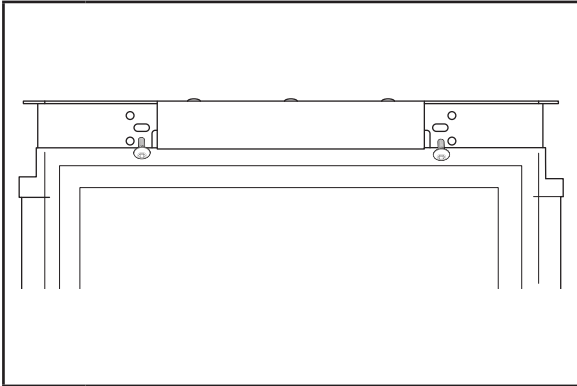


2 Remove top and bottom end caps and place aside.

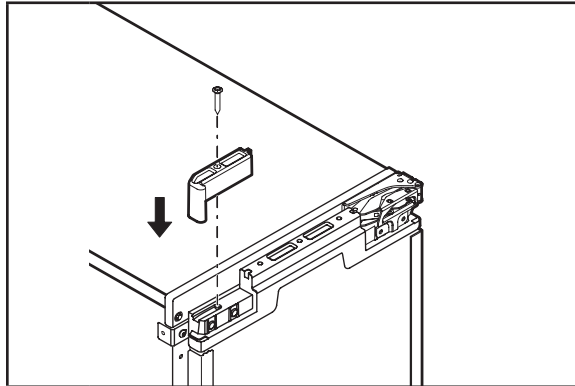


4 Lightly press the custom panel onto the door using double sided adhesive tape. Adjust height of the panel to achieve a 1/8" (3.175 mm) gap between top of door panel and counter sealing gap. Press the panel firmly against door.

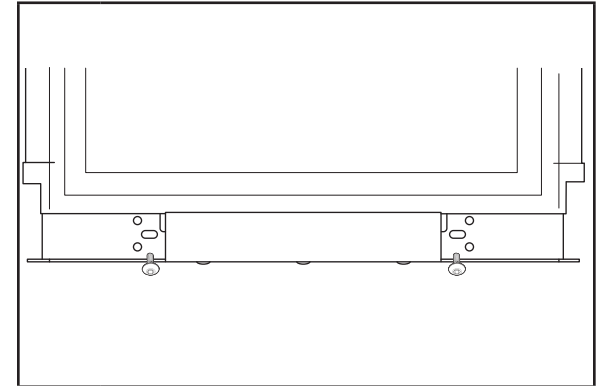
INSTALLATION



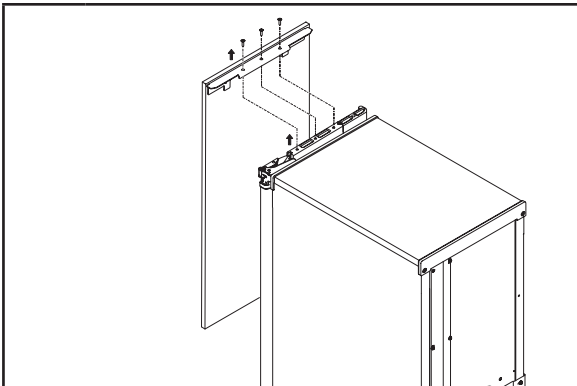
5 From inside the door, install the wood screws (2) through the slotted holes in the top metal bracket. Adjust the panel side to side to achieve a 1/8" (3.175 mm) gap on both sides. Install the remaining screws through the door bracket into the panel.



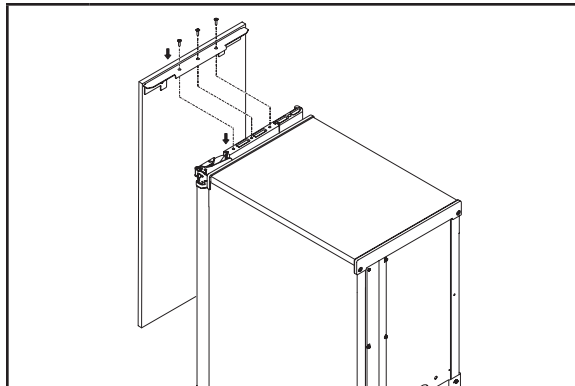
7 Replace the top end cap into the door panel.



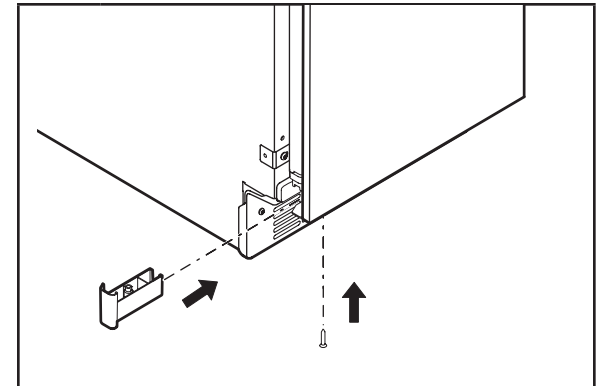
9 From inside the door, install wood screws (6) through the holes in the bottom metal bracket.



6 Remove top metal bracket along with custom wood panel from ice maker door and place aside.



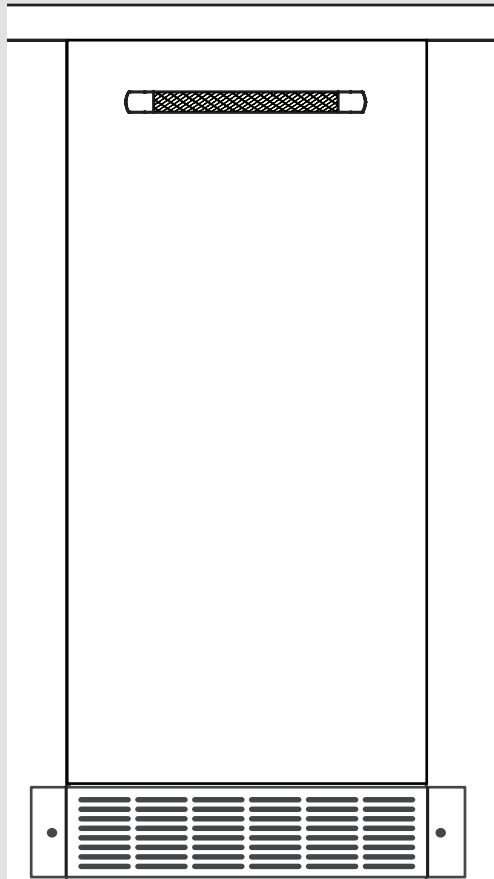
8 Reinstall the top metal bracket along with custom wood panel on ice maker door.



10 Reinstall the bottom end cap.

INSTALLATION

INSTALLING AUXILIARY GRILL



The auxiliary grill is an optional accessory. It can be used to align the toe grill with the rest of the cabinets (while not obstructing ventilation of the ice maker).

NOTE: Install auxiliary grill only after finishing the complete ice maker installation.

Tools required:

- TORX T20 screwdriver
- 1/8" straight drill bit and power drill

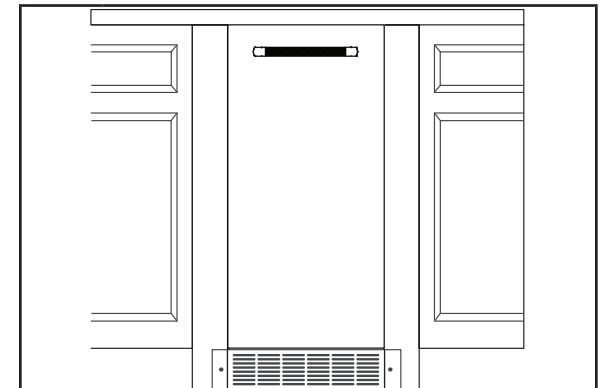
1 Remove packaging material and discard it.

2 Remove the screws that are taped inside the auxiliary grill.

3 Place grill onto cabinetry. Align part so that grating pattern on the auxiliary grill matches that of the toe grill on the ice maker.

4 Center auxiliary grill on cut out for ice maker. Mark hole locations on each side of auxiliary grill on cabinet.

5 Using power drill and a 1/8" drill bit, drill holes in cabinet. This is to fit screws of size #8-18 x 0.750".



6 Using the TORX T20 screwdriver, screw auxiliary grill into cabinet.

APPENDIX

ACCESSORIES

IMPORTANT: A drain pump is necessary when a floor drain is not available. A Drain Pump kit, Part Number 1901A, is available for purchase at jennair.com/accessories/details/1901A.

NOTE: It may be desirable to insulate the drain line thoroughly up to the drain inlet. An Insulation Sleeve kit, Part Number W10365792, is available for purchase at jennair.com/accessories/details/W10365792.

To order a Stainless Steel door panel kit, visit jennair.com.

| APPENDIX

SÉCURITÉ

Votre sécurité et celle des autres est très importante.

Nous donnons de nombreux messages de sécurité importants dans ce manuel et sur votre appareil ménager. Assurez-vous de toujours lire tous les messages de sécurité et de vous y conformer.



Voici le symbole d'alerte de sécurité.

Ce symbole d'alerte de sécurité vous signale les dangers potentiels de décès et de blessures graves à vous et à d'autres.

Tous les messages de sécurité suivront le symbole d'alerte de sécurité et le mot "DANGER" ou "AVERTISSEMENT". Ces mots signifient :

⚠ DANGER

Risque possible de décès ou de blessure grave si vous ne suivez pas immédiatement les instructions.

⚠ AVERTISSEMENT

Risque possible de décès ou de blessure grave si vous ne suivez pas les instructions.

Tous les messages de sécurité vous diront quel est le danger potentiel et vous disent comment réduire le risque de blessure et ce qui peut se produire en cas de non-respect des instructions.

IMPORTANTES INSTRUCTIONS DE SÉCURITÉ

AVERTISSEMENT : Pour réduire les risques d'incendie, de choc électrique ou de blessures lors de l'utilisation de la machine à glaçons, prendre quelques précautions fondamentales, y compris les suivantes :

- Brancher sur une prise de courant à 3 alvéoles reliée à la terre.
- Ne pas enlever la prise de liaison à la terre.
- Ne pas utiliser d'adaptateur.
- Ne pas utiliser de rallonge.
- Ne pas entreposer de substances explosives comme des aérosols avec agent propulseur inflammable dans cet appareil.
- Débrancher l'alimentation électrique avant nettoyage.
- Déconnecter la source de courant électrique avant l'entretien.
- Replacer pièces et panneaux avant de faire la mise en marche.
- Brancher sur une arrivée d'eau potable uniquement.
- Si le cordon d'alimentation est endommagé, il doit être remplacé par le fabricant, son agent de réparation ou toute autre personne qualifiée afin d'éviter tout danger.
- Cet appareil ne convient pas à une utilisation par des personnes (y compris des enfants) à capacités physiques, sensorielles ou mentales réduites, ou possédant un manque d'expérience et de connaissances, à moins qu'elles ne soient placées sous supervision ou qu'elles aient reçu des instructions concernant l'utilisation de l'appareil par une personne responsable de leur sécurité.
- Utiliser deux ou plus de personnes pour déplacer et installer la machine à glaçons.
- Les enfants doivent être placés sous surveillance afin de s'assurer qu'ils ne jouent pas avec l'appareil.
- Cet appareil est destiné à un usage domestique et à d'autres usages similaires comme :
 - Espace de cuisine pour personnel de boutiques, bureaux et autres environnements professionnels;
 - Résidences fermières et utilisation par les clients d'hôtels, de motels et d'autres types de résidences;
 - Environnements de type chambres d'hôtes;
 - Banquets et autres utilisations non commerciales semblables.

CONSERVER CES INSTRUCTIONS

INTRODUCTION

ENREGISTREMENT DE VOTRE APPAREIL

Accédez à notre service à la clientèle de niveau concierge en enregistrant votre appareil. Nous simplifions l'enregistrement des produits afin que vous puissiez commencer à utiliser vos avantages JennAir exclusifs aujourd'hui.

L'enregistrement de votre appareil vous permet de :

- **Rendre plus simple votre service de garantie**
Si nous disposons des informations sur votre produit, nous pouvons vous aider plus rapidement.
- **Protéger votre achat**
En cas de perte d'assurance, comme lors d'un incendie, d'une inondation ou d'un vol, l'enregistrement de votre produit pourrait servir de preuve d'achat.
- **Garder votre famille en sécurité.**
Nous vous informerons dans le cas rare d'une notification de sécurité.

Commencez à profiter de ces avantages aujourd'hui en vous connectant en ligne pour enregistrer votre produit au jennair.com/customer-care.

IDENTIFICATION DU PRODUIT

L'identification de votre produit, qui comprend le modèle et les numéros de série, figure sur la plaque signalétique du produit.

L'enregistrement des informations suivantes nous permet de vous aider plus facilement si votre appareil doit être réparé par un de nos fournisseurs de services agréés Whirlpool.

Numéro de modèle : _____

Numéro de série : _____

Date d'installation : _____

Marchand autorisé : _____

No de téléphone du marchand autorisé : _____

TABLE DES MATIÈRES

INTRODUCTION

Sécurité	38
Enregistrement de votre appareil.....	39
Identification du produit	39

MISE EN PLACE

Avant l'installation	40
Outils requis	40
Pièces fournies	40
Vacances ou longue période d'inutilisation... ..	41
Déballage de la machine à glaçons.....	41
Personnalisations optionnelles	41

PRÉPARATION DU SITE

Dimensions du produit et de l'ouverture.....	42
Exigences d'emplacement.....	43
Spécifications électriques	44
Spécifications de l'alimentation en eau	44
Spécifications de l'évacuation.....	45
Système de vidange par gravité	45

INVERSION DE LA PORTE

Retirer les couvre-charnière	46
Retirer les charnières	48
Préparer les charnières du bas	50
Inverser des charnières.....	52

INSTALLATION

Raccordement à la canalisation d'eau	54
Installation de la pompe de vidange.....	56
Raccordement de la vidange	62
Mettre à niveau et sécuriser	64
Panneau de porte en bois personnalisé	68
Installation de la grille auxiliaire.....	70

ANNEXE

Accessoires	72
-------------------	----

MISE EN PLACE

AVANT L'INSTALLATION

Rassembler les outils et pièces nécessaires avant d'entreprendre l'installation. Lire et observer les instructions d'installation fournies avec chaque outil mentionné dans la liste.

IMPORTANT : Ces instructions ne constituent qu'un guide général et ne peuvent en aucun cas être substituées aux prescriptions d'un code national ou local applicable. Avant d'entreprendre l'installation, on doit déterminer les critères de conformité de l'installation aux prescriptions de tout code national, provincial ou local.

Installateur : S'assurer de remettre les instructions d'installation au propriétaire.

Propriétaire : Conserver les instructions d'installation pour référence ultérieure.

OUTILS REQUIS

Rassembler les outils nécessaires avant de commencer l'installation.

Outils requis

- Perceuse sans fil et forets
- Tournevis cruciforme
- Crayon
- Ruban adhésif de masquage
- Clé à molette de 2 po
- Niveau
- Vis à bois (panneau de porte personnalisé)
- Vis à bois
- Scie-cloche de 2 po ou mèche emporte-pièce de 2 po
- Ruban adhésif double face

PIÈCES FOURNIES

- Supports d'armoire
- Tuyau de vidange et bride (dans le sac du tuyau) – sur certains modèles seulement
- Ensemble de la grille auxiliaire

MISE EN PLACE

VACANCES OU LONGUE PÉRIODE D'INUTILISATION

Lorsque la machine à glaçons n'est pas utilisée pendant une longue période de temps, fermer l'alimentation en eau et en électricité de la machine.

S'assurer que les tuyaux d'alimentation en eau sont isolés contre le gel. La formation de glace dans les canalisations d'arrivée d'eau peut entraîner une élévation de la pression en eau et endommager la machine à glaçons ou le domicile. La garantie de l'appareil ne couvre pas les dommages imputables au gel.

DÉBALLAGE DE LA MACHINE À GLAÇONS

AVERTISSEMENT

Risque de poids excessif.

Utiliser au moins deux personnes pour déplacer et installer la machine à glaçons.

Le non-respect de cette instruction peut entraîner une blessure au dos ou d'autres blessures.

Enlèvement des matériaux d'emballage

Enlever le ruban adhésif et la colle de la machine à glaçons avant de l'utiliser.

- Pour enlever tout résidu de ruban adhésif ou de colle de la surface extérieure de la machine à glaçons, frotter vivement la zone avec le pouce. Les résidus de ruban adhésif et de colle peuvent aussi facilement être enlevés en frottant à l'aide d'un doigt une petite quantité de savon liquide à vaisselle sur l'adhésif. Rincer à l'eau tiède et sécher.
- Ne pas utiliser d'instruments coupants, d'alcool à friction, de liquides inflammables ou de nettoyeurs abrasifs pour enlever le ruban adhésif ou la colle. Ne pas utiliser d'eau de Javel sur les surfaces en acier inoxydable de la machine à glaçons. Ces produits peuvent endommager la surface de votre machine à glaçons.

Nettoyage avant utilisation

Après avoir enlevé tous les matériaux d'emballage, nettoyer l'intérieur de la machine à glaçons avant de l'utiliser. Voir les instructions de nettoyage dans la section "Entretien de la machine à glaçons".

PERSONNALISATIONS OPTIONNELLES

Inverser le sens d'ouverture de la porte

Pour savoir comment inverser le sens d'ouverture de la porte, consulter la section "Inversion de la porte".

Installation du panneau personnalisé

Pour obtenir les instructions sur la façon d'installer un panneau de porte personnalisé, consulter la section "Panneau de porte en bois personnalisé".

Pour l'installation d'un panneau décoratif personnalisé, l'installateur devra fabriquer lui-même le panneau ou consulter un ébéniste ou menuisier qualifié.

IMPORTANT :

- L'épaisseur du panneau décoratif doit être de 3/4 po (1,91 cm).
- Le poids du panneau décoratif ne doit pas dépasser 8 lb (3,62 kg).
- Des panneaux de poids supérieur au poids recommandé risquent d'endommager le réfrigérateur.
- Veiller à ce que le grain du bois ait la même orientation que pour les armoires adjacentes.
- Poncer les bords du panneau pour créer un fini doux.
- Utiliser un composant d'étanchéité sur les faces et les bords du panneau pour le protéger contre l'humidité.

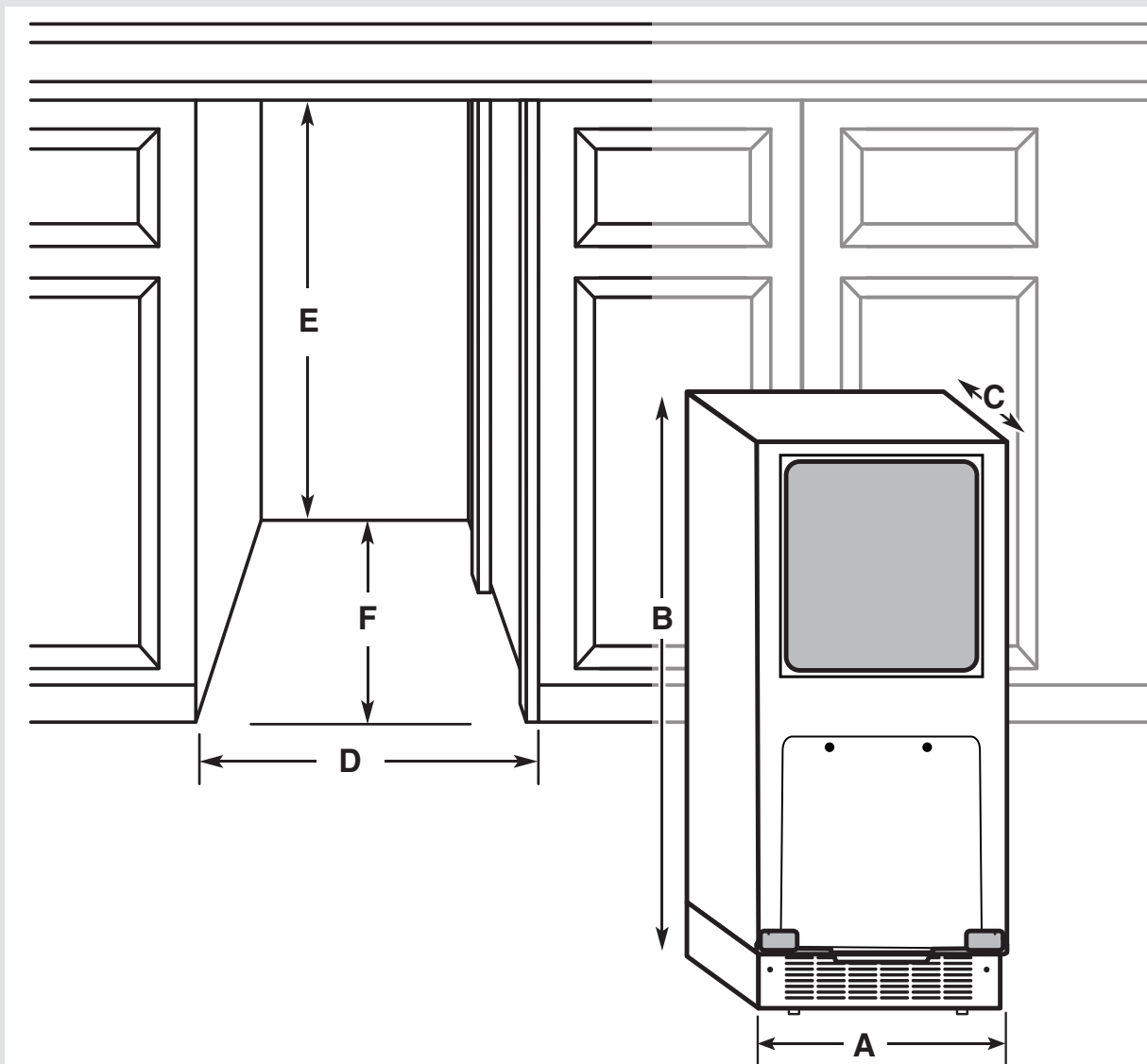
PIÈCES NÉCESSAIRES :

- Instructions, (8) vis à bois à tête plate cruciforme no 8 x 1/2 po

Installation du panneau en acier inoxydable

Consulter les instructions qui accompagnent la trousse de panneau en acier inoxydable pour savoir comment l'installer.

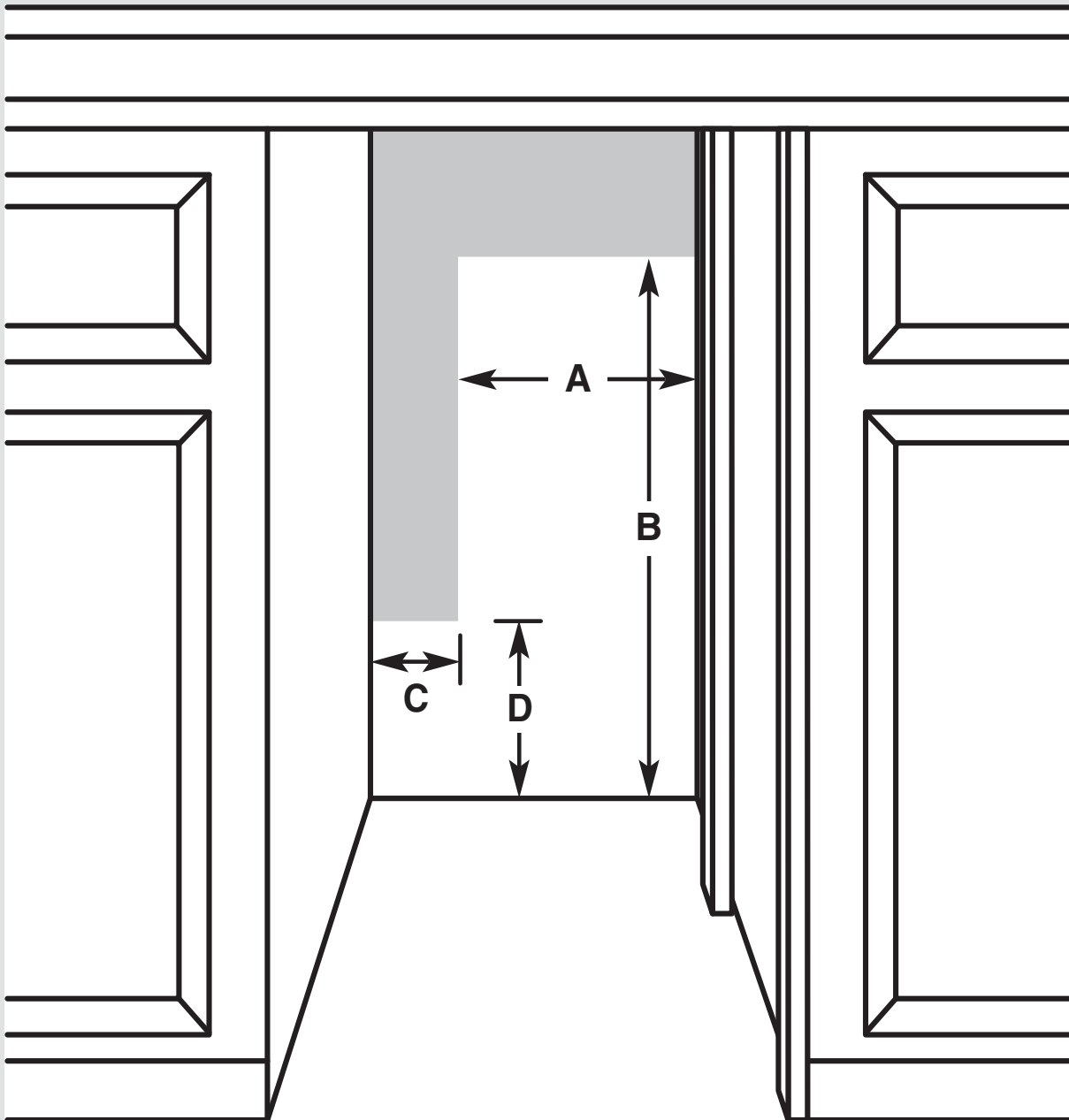
PRÉPARATION DU SITE



DIMENSIONS DU PRODUIT ET DE L'OUVERTURE

Dimensions du produit		
Largeur du produit	A	14 ⁷ / ₈ po (37,8 cm)
Hauteur du produit	B	33 ³ / ₄ po (85,7 cm)
Profondeur du produit (sans porte)	C	22 ¹ / ₁₆ po (56,1 cm)

Dimensions de l'ouverture		
Largeur de l'ouverture	D	15 po (38,1 cm)
Hauteur de l'ouverture	E	34 po min (86,4 cm) 34 ¹ / ₂ po max (87,6 cm)
Profondeur de l'ouverture	F	24 po (60,96 cm)



EXIGENCES D'EMPLACEMENT

L'installation doit respecter les dispositions de tous les codes et règlements en vigueur.

Température

Nous recommandons d'installer la machine à glaçons dans un endroit bien aéré dont la température se situe entre 55 °F (13 °C) et 110 °F (43 °C). Les meilleurs résultats sont obtenus lorsque la température est comprise entre 21 °C et 32 °C (70 °F et 90 °F).

Lieu

La machine à glaçons doit être installée dans un endroit protégé des éléments comme le vent, la pluie et les éclaboussures d'eau.

Pour assurer une bonne aération de votre appareil, l'avant doit être complètement dégagé. La machine à glaçons peut être encastrée sur le dessus et de trois côtés. Cependant, l'installation devrait permettre de retirer la machine à glaçons pour en faire l'entretien (au besoin).

La grille auxiliaire incluse peut être utilisée pour aligner la grille inférieure avec le reste des armoires sans bloquer la ventilation de la machine à glaçons.

Le plancher doit pouvoir supporter le poids total de la machine à glaçons, soit plus de 48,08 kg (106 lb), en plus des panneaux de porte et du contenu de la machine à glaçons. La machine à glaçon doit être de niveau pour fonctionner correctement. Au besoin, il est possible de régler la hauteur de la machine à glaçons en changeant la hauteur des pattes de nivellement. Le devant de l'armoire doit être en affleurement avec l'avant de la machine à glaçons.

Vérifier que le cordon d'alimentation électrique, la canalisation d'alimentation en eau et le tuyau de vidange ne sont pas endommagés, déformés ou pincés entre la machine à glaçons et l'armoire.

Emplacement des sources d'alimentation		
Emplacement cordon d'alimentation électrique	A	11 1/2 po (29,2 cm)
	B	28 1/2 po (72,4 cm)
Emplacement du tuyau d'alimentation en eau	C	3 1/2 po (8,9 cm)
	D	9 po (22,9 cm)

SPÉCIFICATIONS ÉLECTRIQUES



⚠️ AVERTISSEMENT

Risque de choc électrique

Brancher sur une prise à 3 alvéoles reliée à la terre.

Ne pas enlever la broche de liaison à la terre.

Ne pas utiliser un adaptateur.

Ne pas utiliser un câble de rallonge.

Le non-respect de ces instructions peut causer un décès, un incendie ou un choc électrique.

Spécifications électriques

Alimentation électrique	115 V CA à 60 Hz seulement
Disjoncteur	Fusible de 15 à 20 A
Alvéole	Prise à 3 alvéoles reliée à la terre
Prise de courant	Sans disjoncteur de fuite à la terre

IMPORTANT :

- Utiliser une prise de courant dont l'alimentation ne peut pas être interrompue par un interrupteur. Ne pas utiliser de rallonge.
- Nous recommandons que ce produit ne soit pas connecté à une prise protégée par un disjoncteur de fuite à la terre, un déclenchement intempestif peut se produire.

- La machine à glaçons doit être mise à la terre. Cette machine à glaçons est équipée d'un cordon d'alimentation électrique avec fiche à trois broches (liaison à la terre). Le cordon doit être branché à une prise à 3 alvéoles avec mise à la terre respectant le National Electrical Code, ainsi que les réglementations et codes locaux. Si une telle prise n'est pas disponible, le client a la responsabilité de faire installer par un électricien qualifié une prise de courant correctement reliée à la terre.

SPÉCIFICATIONS DE L'ALIMENTATION EN EAU

Avant de brancher la machine à glaçons, s'assurer que la canalisation d'alimentation en eau est isolée contre le gel. La formation de glace dans les canalisations d'arrivée d'eau peut entraîner une élévation de la pression en eau et endommager la machine à glaçons ou le domicile. La garantie de l'appareil ne couvre pas les dommages imputables au gel de la canalisation d'arrivée d'eau.

Utiliser les nouveaux tuyaux fournis avec le produit. Ne pas réutiliser de tuyaux usagés.

Spécifications de l'alimentation en eau

Pression d'eau	30 à 120 lb/po ² (207 à 827 kPa)
Excédent de canalisation d'eau pour le raccordement	30 po
Alimentation en eau	Tuyau en cuivre flexible d'un diamètre extérieur de 1/4 po (6,35 mm)
Pompe de vidange	Avec robinet d'arrêt

IMPORTANT :

- Brancher sur une arrivée d'eau potable uniquement.
- Un système de filtration de l'eau par osmose inverse n'est pas recommandé pour les machines à glaçons avec pompe de vidange. Les systèmes de filtration de l'eau par osmose inverse sont conçus pour les systèmes de vidange par gravité seulement.
- Raccorder le tuyau de vidange de la machine à glaçons à votre drain de vidange conformément à l'International Plumbing Code et aux codes et règlements locaux.
- Pour obtenir une installation en affleurement, le robinet d'arrêt ne devrait pas être installé dans le mur derrière le réfrigérateur, mais dans un autre endroit facile d'accès.
- Le circuit de vidange doit se terminer dans un puisard ou un tuyau d'évacuation ouvert (pour impossibilité de reflux).
 - Dénivellation maximale de 10 pi (3,1 m)
 - Longueur maximale de 100 pi (30,5 m)

REMARQUE : Si le tuyau de vidange devient tordu et l'eau ne peut pas se vidanger, votre machine à glaçons ne fonctionnera pas.

Alimentation en eau par osmose inverse

Un système de filtration de l'eau par osmose inverse peut être utilisé, si la pression d'eau sortant du système respecte les exigences.

Si le système par osmose inverse est nécessaire, seul un système capable de fournir toute la maison et d'alimenter de façon constante en eau la machine à glaçons est recommandé. Les systèmes par osmose inverse sur robinet ne sont pas capables de fournir l'alimentation constante en eau requise par la machine à glaçons.

PRÉPARATION DU SITE

SPÉCIFICATIONS DE L'ÉVACUATION

Brancher le drain de la machine à glaçons au drain en respectant les réglementations et codes locaux et provinciaux. Suivre ces directives lors de l'installation d'un tuyau de vidange si la machine à glaçons est accompagnée d'un système de vidange par gravité. Ceci aidera à empêcher l'eau de revenir dans le bac d'entreposage de la machine à glaçons. De l'eau qui revient dans la machine à glaçons pourrait se déverser sur le plancher et causer des dommages.

Exigences d'évacuation	
Diamètre intérieur	minimum de 5/8 po (15,88 mm)
Canalisations d'évacuation	Les canalisations d'évacuation doivent avoir une pente de 1 po pour chaque 48 po de longueur (2,54 cm pour chaque 122 cm) ou une pente de 1/4 po pour chaque 12 po de longueur (6,35 mm pour chaque 30,48 cm)
Dénivellation maximale	10 pi (3,1 m)
Longueur maximale	100 pi (30,5 m)

L'installation idéale comporte un tuyau de rejet à l'égout en PVC de 1 1/2 po (3,81 cm) à 2 po (5,08 cm) installé immédiatement sous la sortie du tube de vidange. Un écart antiretour de 1 po (2,54 cm) doit être maintenu entre le tuyau de la pompe de vidange et le tuyau de rejet à l'égout.

Ne pas raccorder l'extrémité de sortie du tuyau de vidange à un système de canalisation fermé afin d'empêcher l'eau de vidange de refouler dans la machine à glaçons.

Capacité maximale de la pompe de vidange :

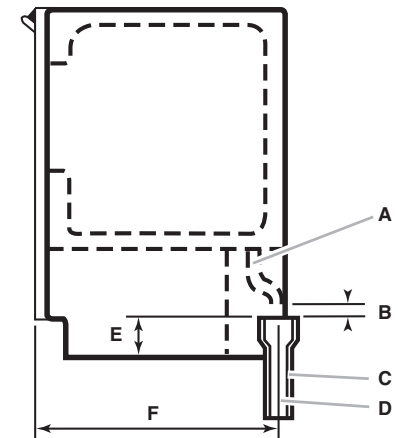
Pour chaque 1 pi (0,31 m) d'élévation, soustraire 10 pi (3,1 m) de longueur de fonctionnement maximal.

IMPORTANT : Une pompe de vidange est nécessaire lorsqu'on ne dispose pas de drain au plancher.

Il est possible d'acheter la trousse de pompe de vidange (numéro de pièce 1901A) au jennair.com/accessories/details/1901A.

REMARQUE : Il sera peut-être souhaitable d'isoler le tuyau de vidange complètement jusqu'à l'entrée du drain de vidange. Il est possible d'acheter la trousse de gaine isolante (numéro de pièce W10365792) au jennair.com/accessories/details/W10365792.

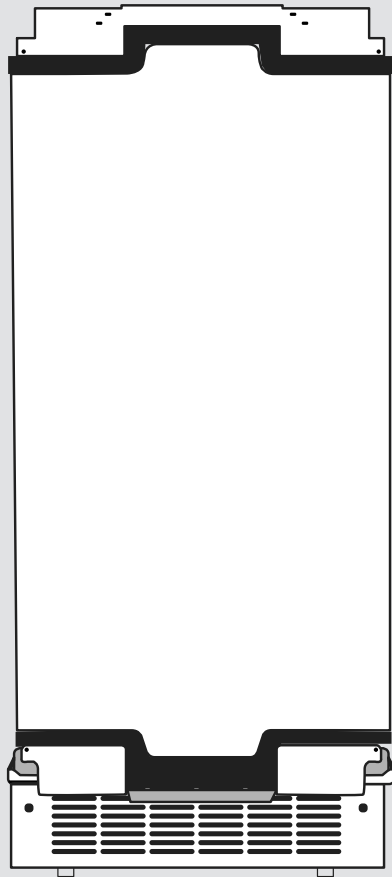
SYSTÈME DE VIDANGE PAR GRAVITÉ



Dimensions du système de vidange par gravité		
Tuyau de vidange	A	
Brise-siphon	B	1 po (2,54 cm)
Réducteur de vidange en PVC	C	2 po à 1 1/2 po (5 cm à 3,8 cm)
Centre du drain	D	23 po (58,4 cm) du devant de la porte, avec ou sans panneau de 3/4 po (1,9 cm) sur la porte, centrer gauche à droite (7 5/16 po [18,56 cm]) de chaque côté de la machine à glaçons.
Du bas de la machine à glaçon au haut du réducteur de vidange en PVC	E	1 7/8 po (4,8 cm)
Profondeur au centre du réducteur de vidange en PVC	F	23 po (58,4 cm)

INVERSION DE LA PORTE

RETIRER LES COUVRE-CHARNIÈRE



! S'il n'est pas nécessaire d'inverser la porte, passer la section "Inversion de la porte" et poursuivre avec la section "Installation".

AVERTISSEMENT

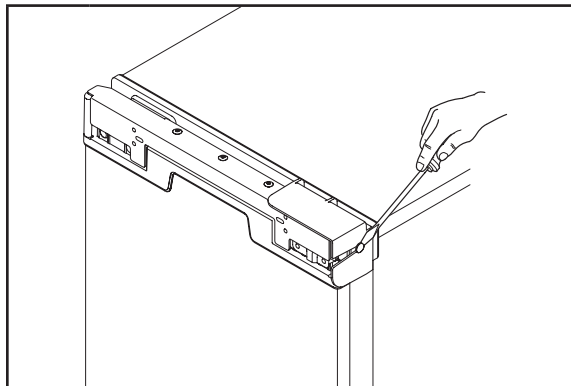


Risque d'écrasement

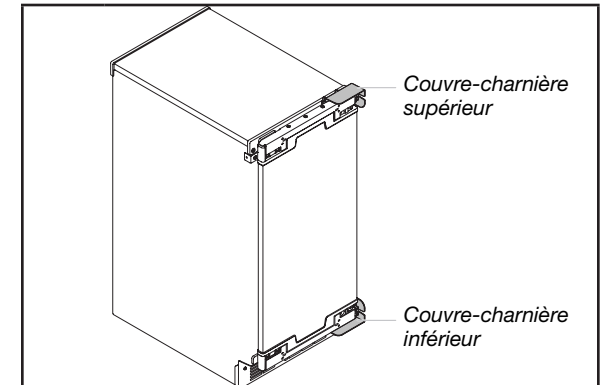
Les charnières articulées sont conçues pour se fermer toutes seules et plusieurs points de pincement existent avant l'installation dans l'armoire.

Ne pas retirer les couvre-charnières avant que le produit ne soit prêt à être installé.

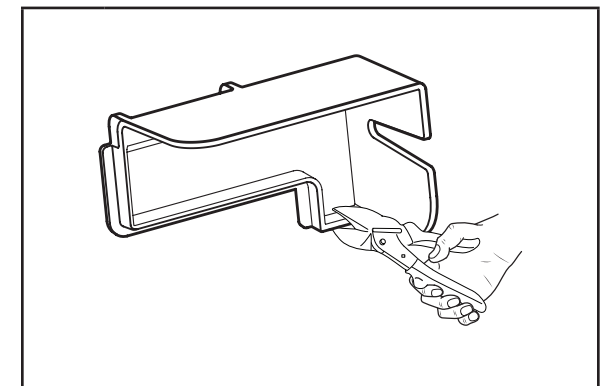
Le non-respect de ces instructions peut causer une blessure par écrasement, coupure ou pincement.



1 Retirer les vis fixant le dessus et le dessous des couvre-charnières en utilisant un tournevis à lame plate.



2 Retirer les couvre-charnières des charnières inférieure et supérieure.

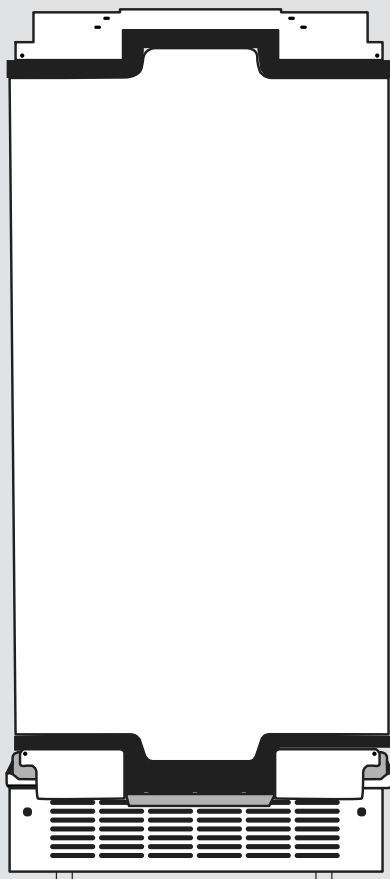


3 Pour retirer les couvre-charnières, couper le couvre-charnière au point indiqué en utilisant une pince à couper diagonale, puis retirer les charnières.

REMARQUE : Réinstaller les couvre-charnières si le produit est retiré de l'installation dans l'armoire.

INVERSION DE LA PORTE

RETIRER LES CHARNIÈRES



⚠ AVERTISSEMENT

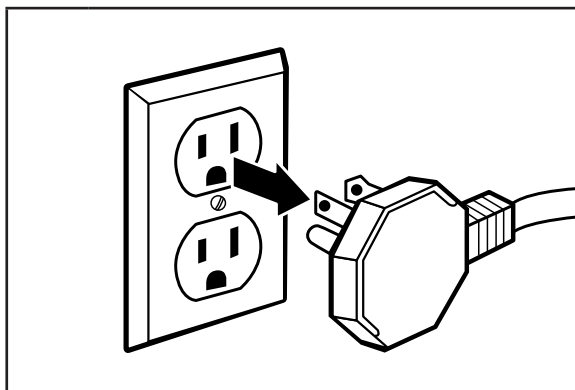


Risque de choc électrique

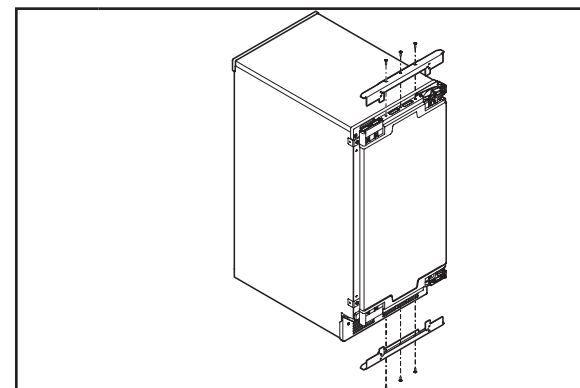
Déconnecter la source de courant électrique avant l'intervention.

Replacer pièces et panneaux avant de faire la mise en marche.

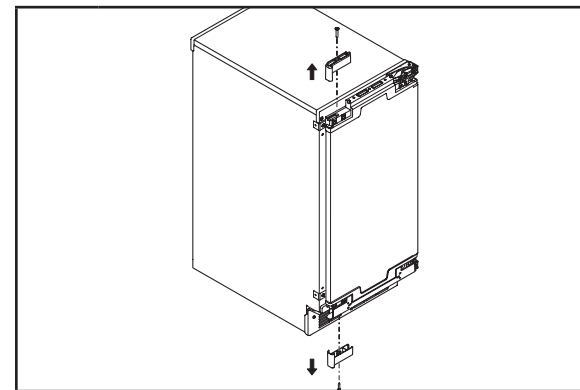
Le non-respect de ces instructions peut causer un décès ou un choc électrique.



1 Débrancher la machine à glaçons ou déconnecter la source de courant électrique.

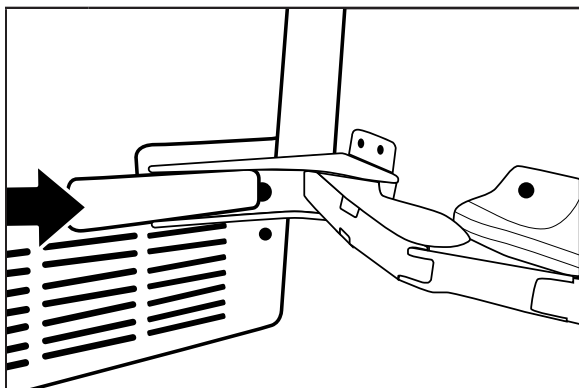


2 Retirer (3) vis des brides métalliques du haut et du bas en utilisant un tournevis cruciforme. Retirer et conserver pour plus tard les supports en métal.

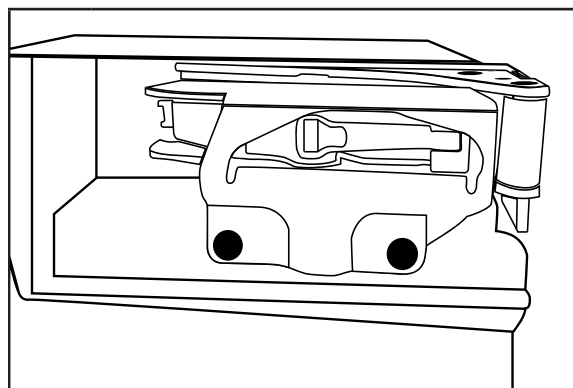


3 Retirer (1) vis des embouts en plastique du haut et du bas en utilisant un tournevis cruciforme. Retirer et conserver pour plus tard les embouts en plastique.

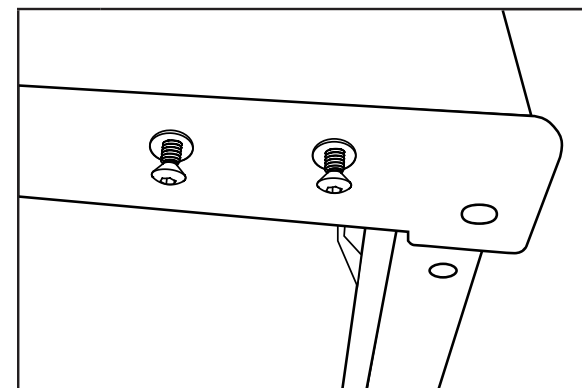
INVERSION DE LA PORTE



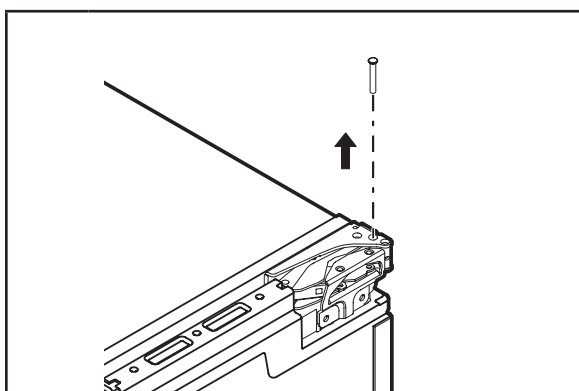
4 Retirer le couvercle en plastique de vis situé à l'intérieur des charnières et conserver pour plus tard.



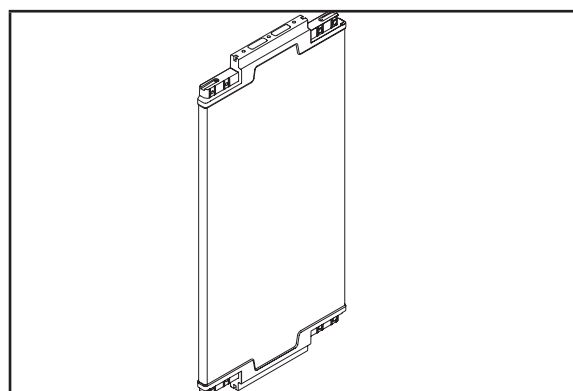
6 Dévisser entièrement les vis des charnières de porte supérieure et inférieure.



8 Desserrer à moitié les vis à tête cruciforme de l'armoire pour pouvoir faire sortir les charnières inférieure et supérieure.



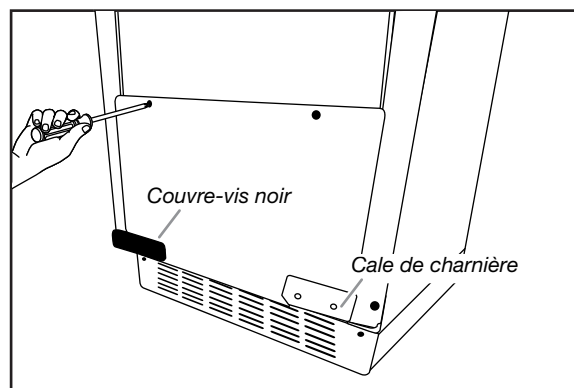
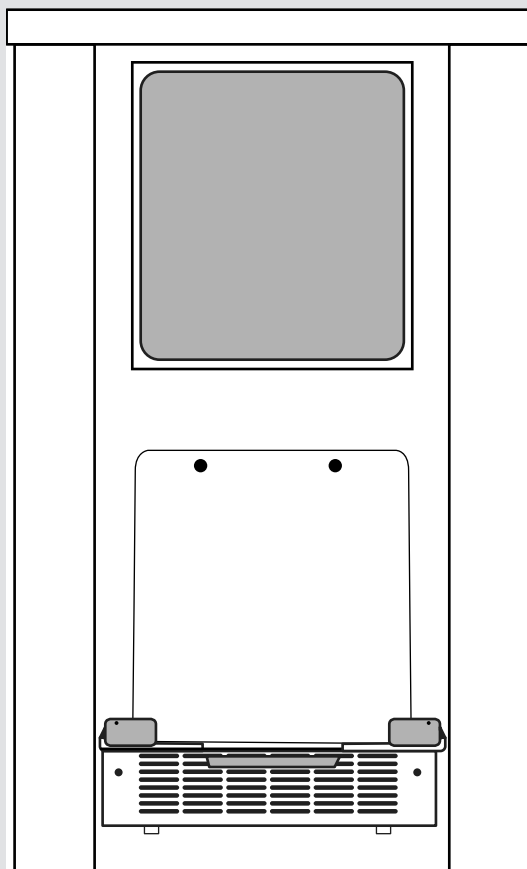
5 Retirer l'axe de limitation d'ouverture de la porte de la charnière supérieure et la conserver pour plus tard.



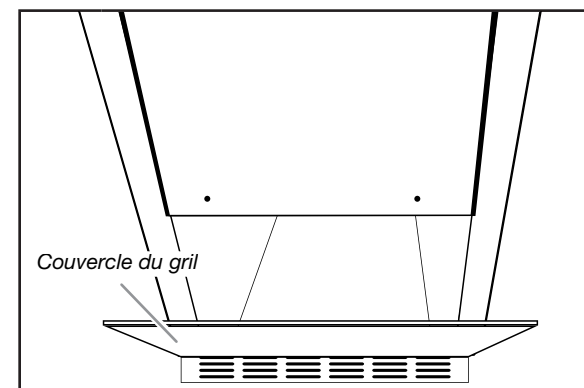
7 Retirer la porte et le conserver à part.

INVERSION DE LA PORTE

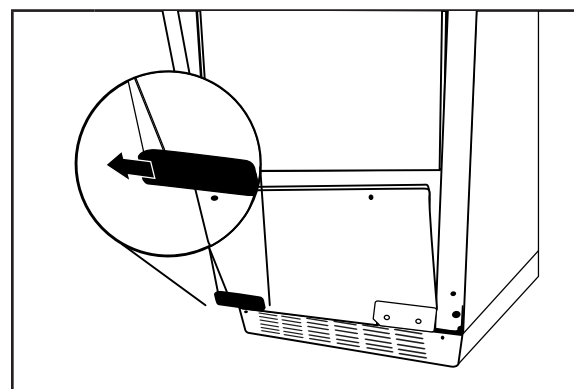
PRÉPARER LES CHARNIÈRES DU BAS



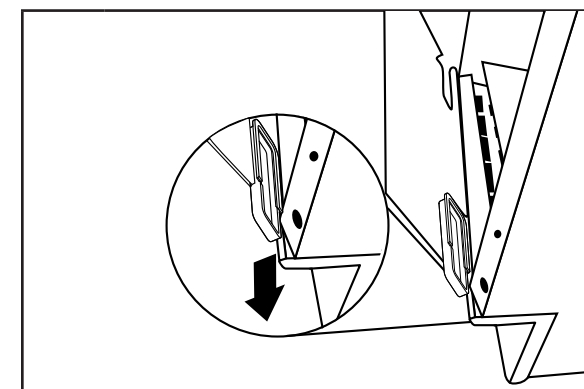
1 Une fois les deux charnières enlevées, dévisser le couvercle de grille en utilisant un tournevis TORX T20†. **REMARQUE** : Le couvercle de grille peut s'ouvrir. Ceci est normal.



3 Pour fixer le couvercle noir de vis de l'autre côté, retirer d'abord le couvercle de grille.

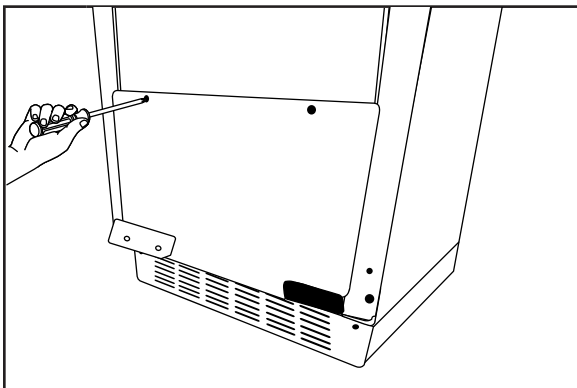


2 Retirer le couvercle de vis noir de la grille en ouvrant le couvercle de grille, poussant le capuchon de vis vers l'intérieur et en le glissant à l'extérieur par le côté. Retirer la cale de vis de charnière.



4 Placer le couvercle de vis noir entre la grille et les vis. Placer la charnière sur le côté opposé en s'assurant que l'encoche fait face vers le bas et l'extérieur. **REMARQUE** : S'assurer que tous les coins de couvercles se trouvent derrière le rebord de la grille, elle ne restera pas en place sinon.

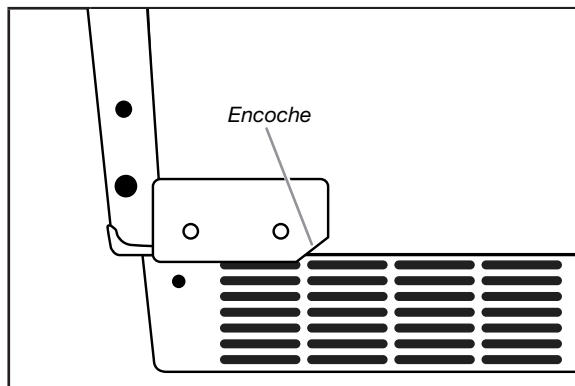
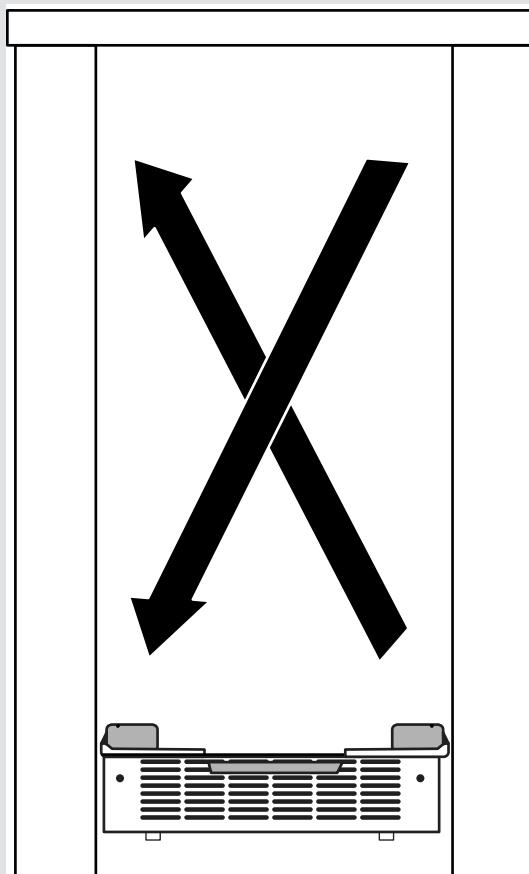
INVERSION DE LA PORTE



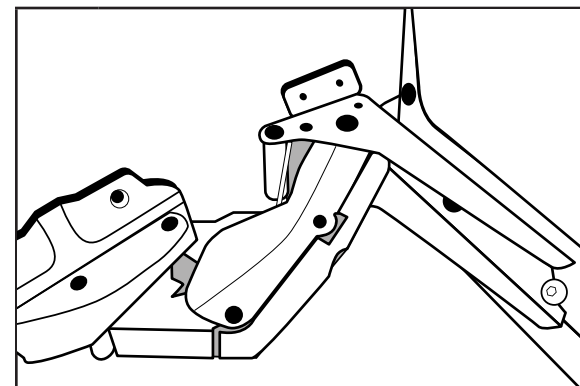
- 5** Une fois le couvercle bien en place, pousser le couvercle de grille noir à sa position d'origine et réinstaller les vis de grille.

INVERSION DE LA PORTE

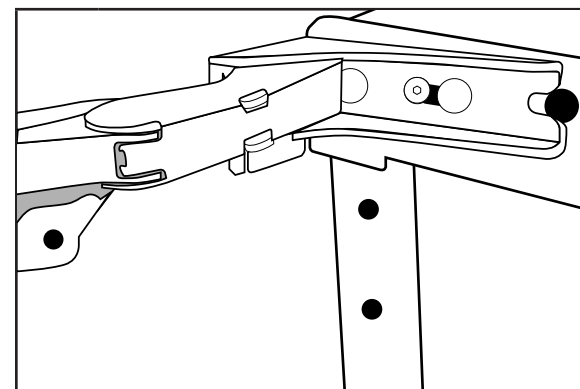
INVERSER DES CHARNIÈRES



- 1** Placer la cale de charnière sur le côté opposé de la machine à glaçons.
REMARQUE : La cale de charnière possède une encoche sur le côté intérieur inférieur pour indiquer le bon positionnement. Faire pivoter les cales de charnière au besoin pour s'assurer que les encoches font face vers le bas.

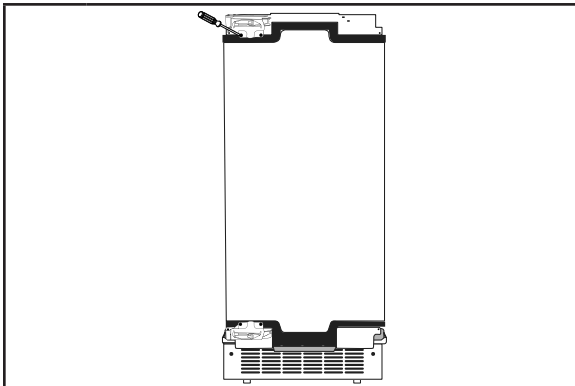


- 2** Prendre la charnière supérieure d'origine, la faire pivoter et la placer à la position de la charnière inférieure du côté opposé. La placer sur les vis de la charnière de l'armoire (c.-à-d., la charnière supérieure de droite est maintenant dans la position inférieure gauche). Les extensions des charnières devraient toujours faire face vers l'intérieur, pas l'extérieur.

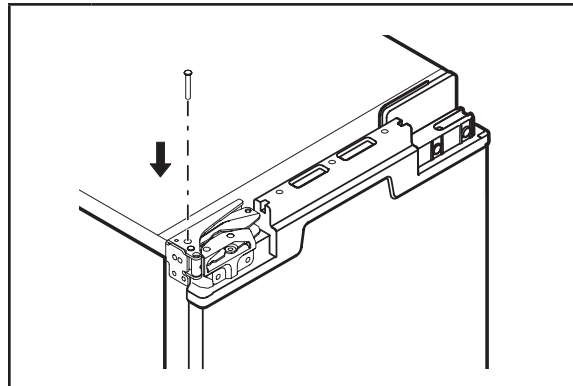


- 3** Prendre la charnière inférieure d'origine, la faire pivoter et la placer à la position de la charnière supérieure du côté opposé. La placer sur les vis de la charnière de l'armoire.

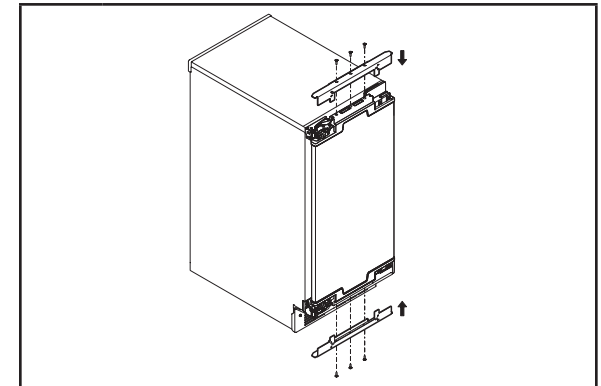
INVERSION DE LA PORTE



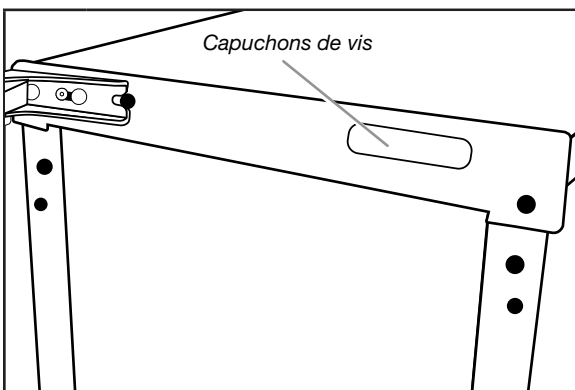
4 Les deux charnières devraient être placées sur les vis de charnières d'armoire. S'assurer de bien serrer toutes les vis.



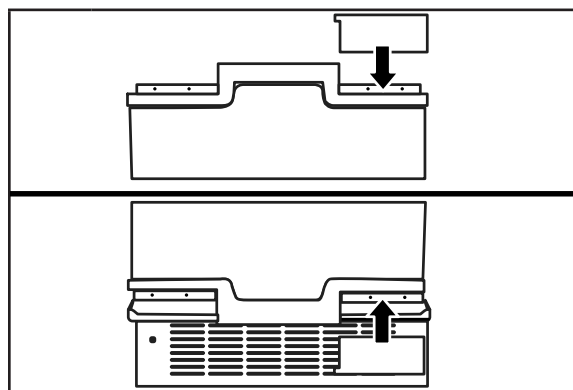
6 Réinstaller l'axe de limitation d'ouverture de la porte sur la charnière supérieure.



8 À l'aide de (3) vis, réinstaller les brides métalliques du haut et du bas sur la porte.



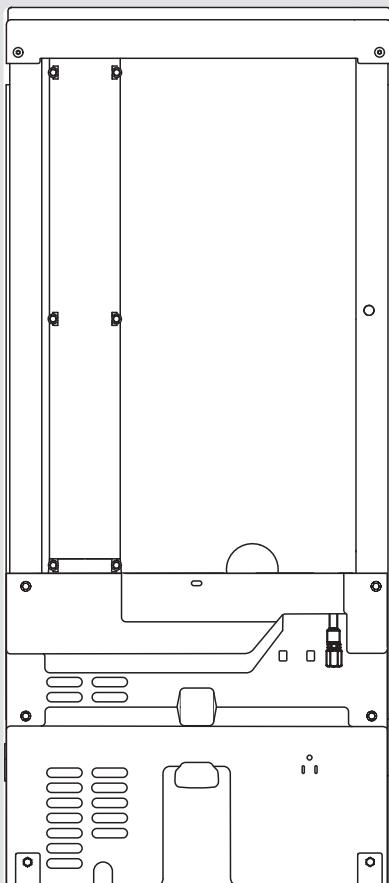
5 Placer les capuchons de vis sur tous les trous ouverts de vis. Des capuchons de vis doivent aussi être mis en place aux emplacements d'origine des charnières.



7 Installer les embouts en plastique du haut et du bas sur la porte (le capuchon supérieur de droite est maintenant dans la position inférieure gauche et vice-versa).

INSTALLATION

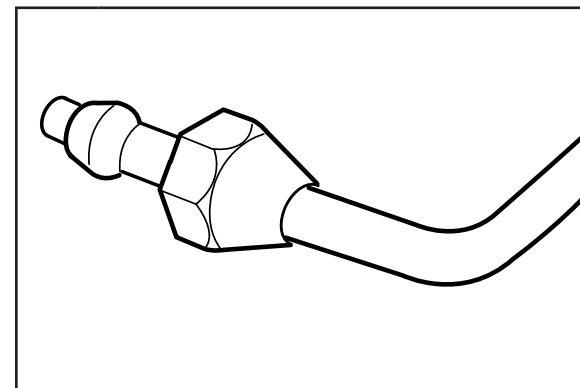
RACCORDEMENT À LA CANALISATION D'EAU



IMPORTANT :

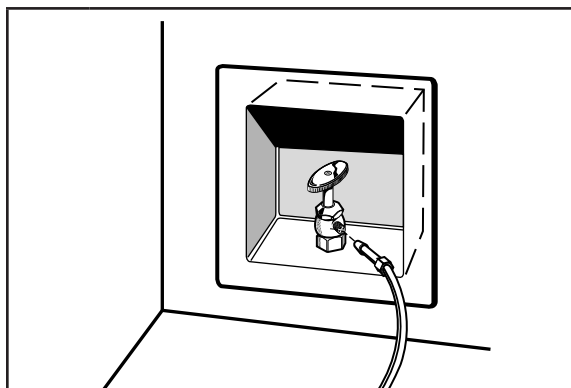
- Réaliser l'installation de plomberie conformément aux exigences du International Plumbing Code et des normes et codes locaux en vigueur.
- Utiliser un tuyau en cuivre ou la canalisation d'alimentation de JennAir (numéro de pièce 8212547RP) et vérifier qu'il n'y a pas de fuites.
- Installer des tuyaux seulement là où les températures resteront au-dessus du point de congélation.

Couper l'alimentation principale en eau. Ouvrir le robinet le plus proche assez longtemps pour vider l'eau du tuyau.



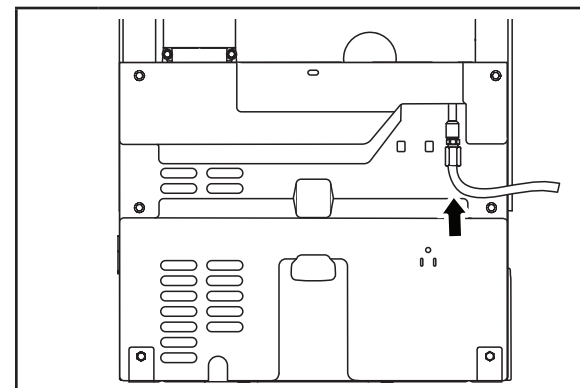
2

Utiliser un tuyau en cuivre flexible d'un diamètre extérieur de 1/4 po (6,35 mm) pour l'alimentation en eau froide. Enfiler la bague de compression et l'écrou sur le tube en cuivre. S'assurer d'avoir la longueur nécessaire pour une installation correcte.



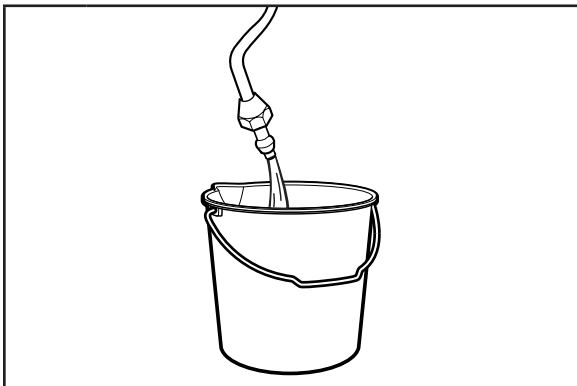
1

À l'aide d'une canalisation d'entrée d'eau en cuivre d'un minimum de 1/2 po et d'un robinet d'arrêt quart de tour ou équivalent, raccorder la machine à eau comme indiqué.



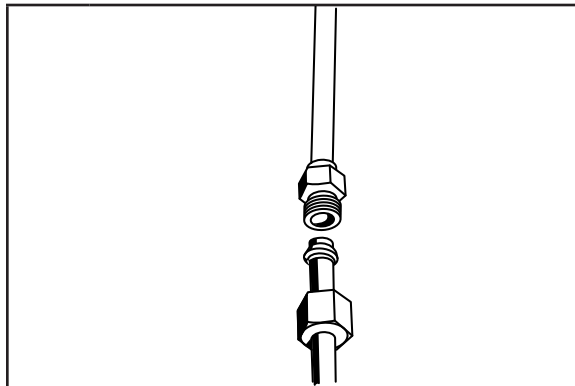
3

Insérer en ligne droite l'extrémité du tuyau aussi profondément que possible dans l'extrémité de sortie. Visser l'écrou de compression sur l'extrémité de sortie du raccord à l'aide d'une clé à molette.

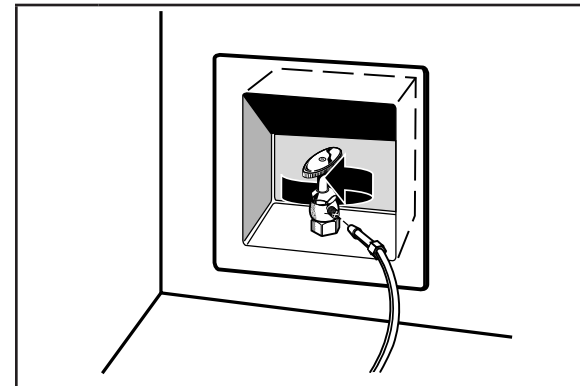


4 Vidanger le tuyau en plaçant l'extrémité libre dans un contenant ou un évier et en rétablissant l'alimentation principale en eau jusqu'à ce que l'eau sorte propre. Fermer le robinet d'arrêt sur le tuyau d'alimentation en eau.

IMPORTANT : Toujours vidanger le tuyau d'alimentation en eau avant de faire le raccordement final sur l'entrée du robinet pour éviter tout mauvais fonctionnement éventuel du robinet.



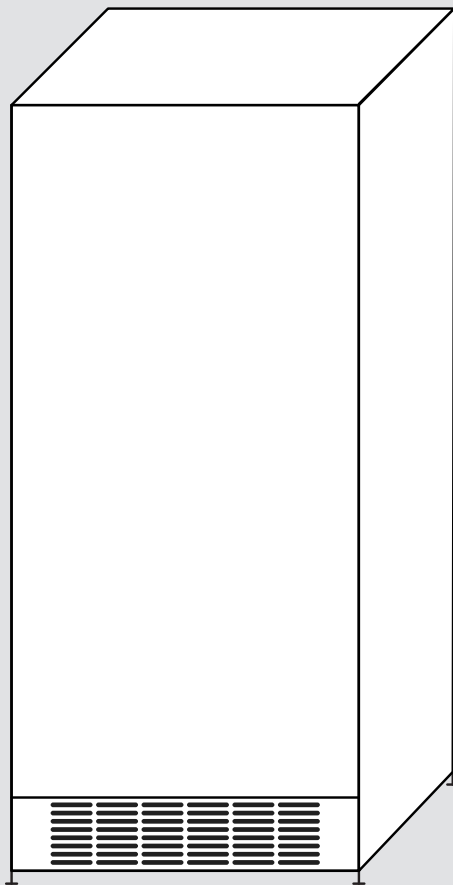
5 Retirer et jeter le petit tube de plastique de l'extrémité du point d'entrée de la canalisation d'eau. Enfiler l'écrou sur l'extrémité du tuyau. Serrer l'écrou manuellement. Ensuite, serrer deux tours de plus avec une clé. Ne pas serrer excessivement.



6 Ouvrir le robinet d'arrêt. Vérifier qu'il n'y a pas de fuite. Serrer tous les raccords (y compris les raccords du robinet) ou les écrous qui présentent des fuites.

INSTALLATION

INSTALLATION DE LA POMPE DE VIDANGE – PRÉPARATION DU SITE



! Si la pompe de vidange n'est pas requise, passer la section "Installation de la pompe de vidange" et poursuivre avec la section "Raccordement de la vidange".

REMARQUES :

- Raccorder la pompe de vidange au drain en respectant les réglementations et codes locaux et provinciaux.
- L'isolation du tube de vidange jusqu'à la sortie de vidange pourrait être nécessaire pour réduire la condensation dans le tube de vidange. Il est possible d'acheter une trousse d'isolation de tube (numéro de pièce W10365792).
- La pompe de vidange est conçue pour pomper de l'eau jusqu'à une hauteur de 3 m (10 pi). N'utiliser que la trousse de pompe de vidange approuvée par Whirlpool (numéro de pièce 1901A).
- Ne pas raccorder l'extrémité de sortie du tuyau de vidange à un système de canalisation fermé afin d'empêcher l'eau de vidange de refouler dans la machine à glaçons.

Contenu de la trousse :

- Trousse de pompe de vidange (numéro de pièce 1901A)
- Tube de vidange de 5/8 po de diamètre intérieur par 5 1/8 po (du bac à glaçons vers l'entrée du réservoir de la pompe de vidange)
- Tube de vidange de 1/2 po de diamètre intérieur x 3 m (10 pi) (du tuyau d'évacuation de la pompe de vidange au drain de la maison)
- Tube de ventilation de 5/16 po de diamètre intérieur x 81 cm (32 po) (du tube de ventilation du réservoir de la pompe de vidange à l'arrière de la machine à glaçons)
- (1) attache mono-usage (pour fixer le tube de ventilation au dos du tube d'aération)
- (5) vis de montage de la pompe no 8-32 x 3/8 po (pour fixer la pompe de vidange à la plaque de base et aux brides du dos de la machine à glaçons)
- Petite bride de tuyau réglable de 5/8 po (pour fixer le tuyau de ventilation à la pompe de vidange)
- (3) grande bride de tuyau réglable de 7/8 po (pour fixer le tuyau de vidange au bac de la machine à glaçons et au réservoir de la pompe de vidange)
- Fiche d'instructions

Si la machine à glaçons est déjà installée

REMARQUE : Si la machine à glaçons n'est pas installée, passer à la section "Installation de la pompe de vidange".

⚠ AVERTISSEMENT



Risque de choc électrique

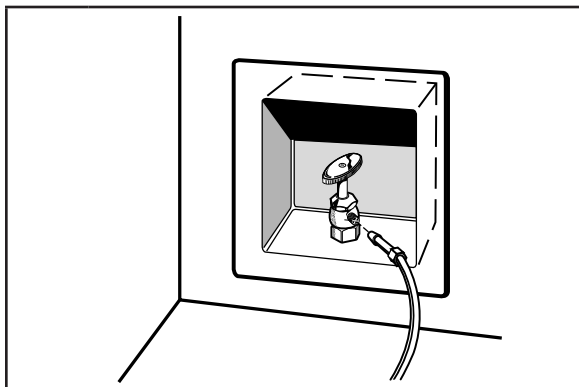
Déconnecter la source de courant électrique avant l'entretien.

Replacer pièces et panneaux avant de faire la remise en marche.

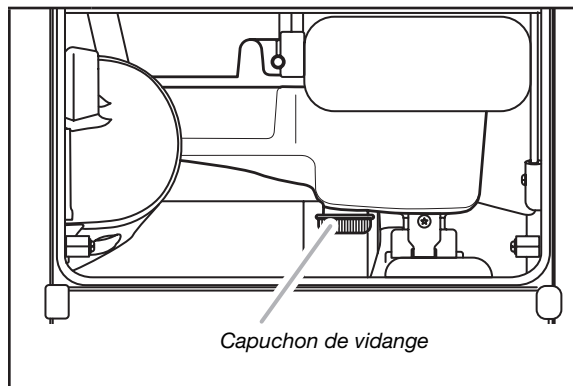
Le non-respect de ces instructions peut causer un décès ou un choc électrique.

- 1** Appuyer sur le bouton OFF (arrêt) pour arrêter la production de glaçons. Débrancher ensuite la machine à glaçons ou couper l'alimentation.

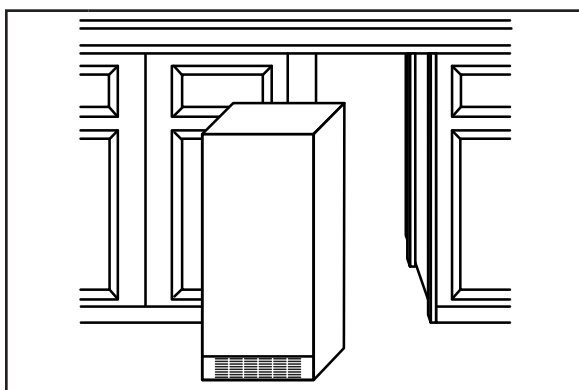
INSTALLATION



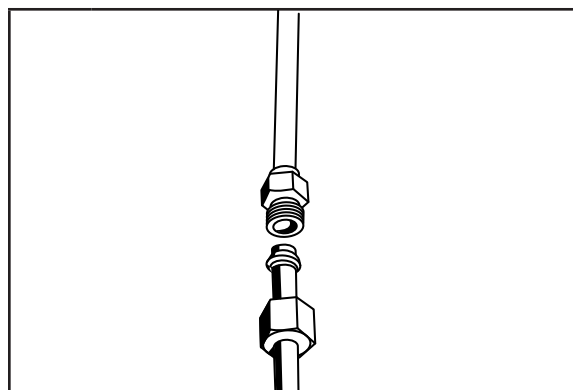
2 Fermer l'alimentation en eau. Attendre de 5 à 10 minutes que les glaçons tombent dans le bac d'entreposage. Enlever les glaçons du bac d'entreposage.



4 Dévisser le bouchon de vidange du dessous du bac à eau situé à l'intérieur du bac d'entreposage. Laisser l'eau s'écouler entièrement.



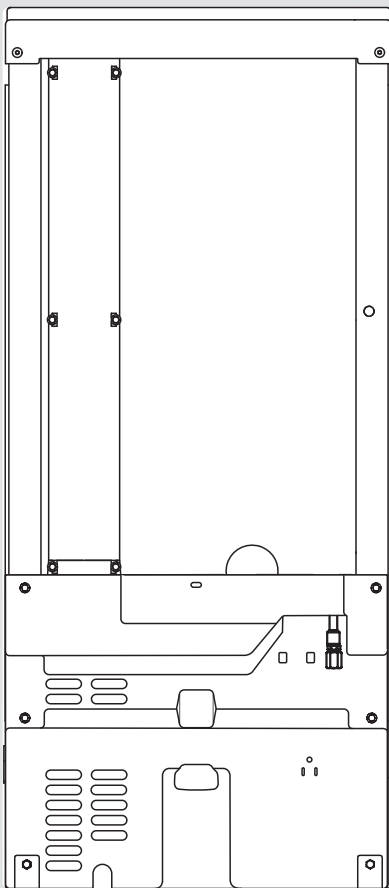
3 Si la machine à glaçons est installée dans une armoire, la retirer de l'ouverture.



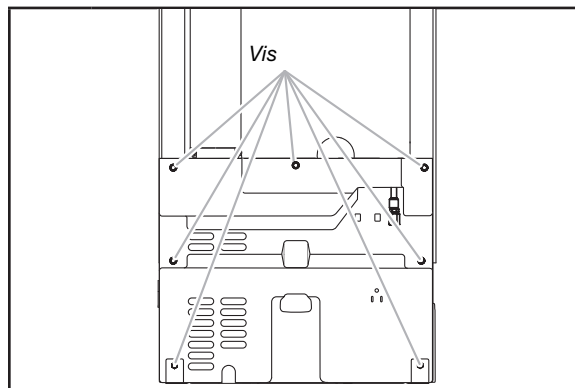
5 Débrancher la canalisation d'alimentation en eau.

INSTALLATION

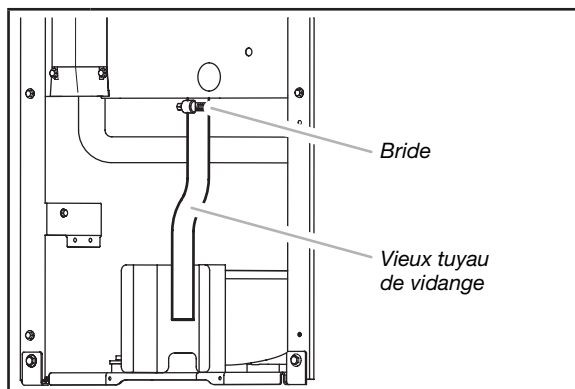
INSTALLATION DE LA POMPE DE VIDANGE DE VIDANGE



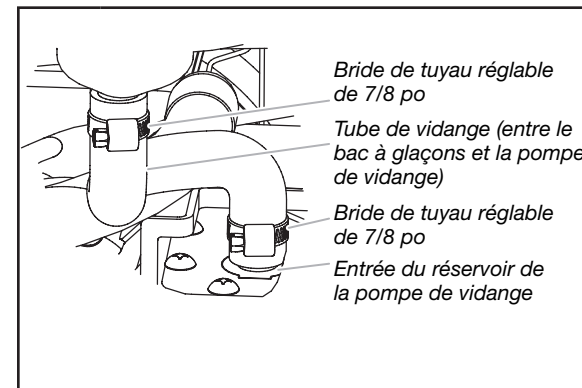
REMARQUE : Ne pas plier, écraser ou endommager les tubes et câbles pendant l'installation.



1 Dévisser les (7) vis fixant le panneau arrière à la machine à glaçons. Ôter le panneau arrière.



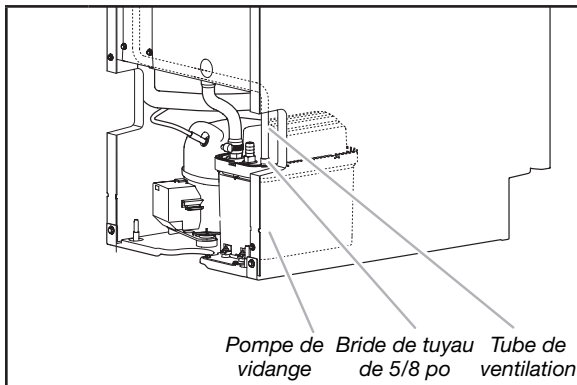
2 Enlever le vieux tube de vidange et la bride fixée au bac de la machine à glaçons.
REMARQUE : Jeter le vieux tube de vidange et sa bride.



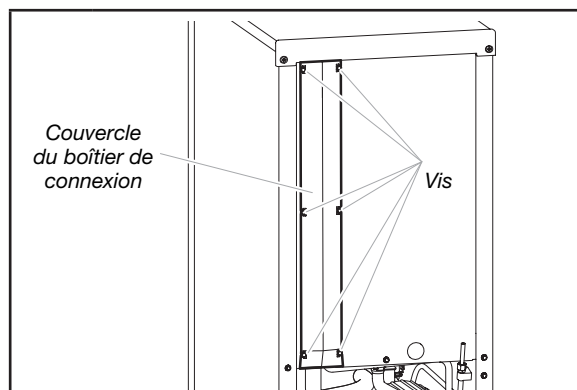
3 Un nouveau tuyau de vidange (5/8 po de diamètre intérieur x 5 1/8 po) est compris dans le bac de la machine à glaçons. Installer un nouveau tube de vidange à l'entrée du réservoir de la pompe de vidange en utilisant de nouvelles brides réglables.

REMARQUES :

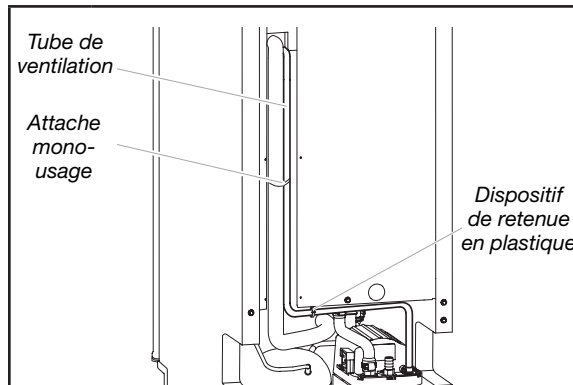
- Ne pas plier le tube.
- Au besoin, couper à la bonne longueur.



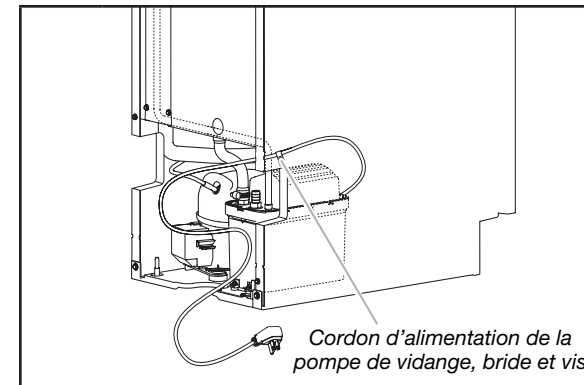
4 Installer le tube de ventilation (5/16 po de diamètre intérieur x 32 po [81 cm]) à la ventilation du réservoir de la pompe de vidange. Utiliser l'une des petites brides réglables incluses de 5/8 po.



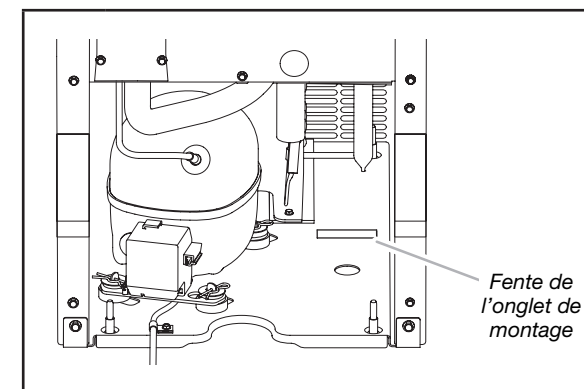
5 Dévisser les vis fixant le couvercle du boîtier de connexion à la machine à glaçons. Retirer le couvercle du boîtier de connexion.



6 Passer le tube de ventilation dans le dispositif de retenue en plastique situé sous la tête supérieure dans la zone ouverte de la pompe. À l'aide d'une attache mono-usage, fixer le tube de ventilation au dos du tube d'aération situé derrière le couvercle du boîtier de connexion. Fixer de nouveau le couvercle du boîtier de connexion à sa place.
REMARQUE : Ne pas trop serrer le tube de ventilation, cela pourrait bloquer la circulation d'air dans le tuyau.



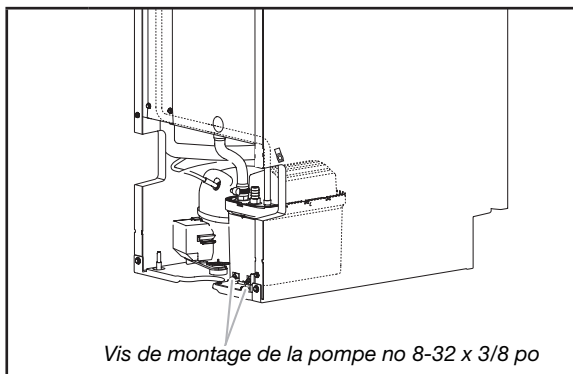
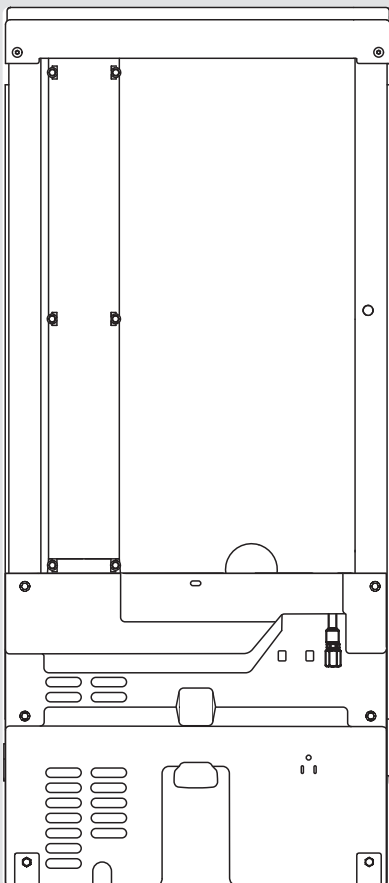
7 Enlever la bride du cordon d'alimentation et la vis de mise à la terre qui relient le cordon d'alimentation et qui sont situées sur la paroi intérieure de l'appareil.



8 Glisser la pompe de vidange dans la base de la machine à glaçons, sur le côté droit. L'onglet d'installation de la pompe devrait glisser dans la fente rectangulaire de la base de la machine à glaçons. La pompe devra être légèrement inclinée pour insérer l'onglet dans la fente.

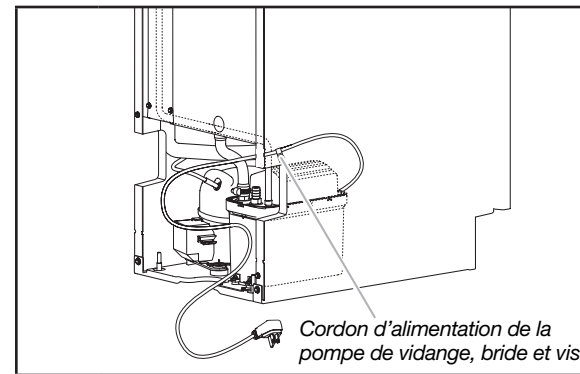
INSTALLATION

INSTALLATION DE LA POMPE DE VIDANGE (SUITE)



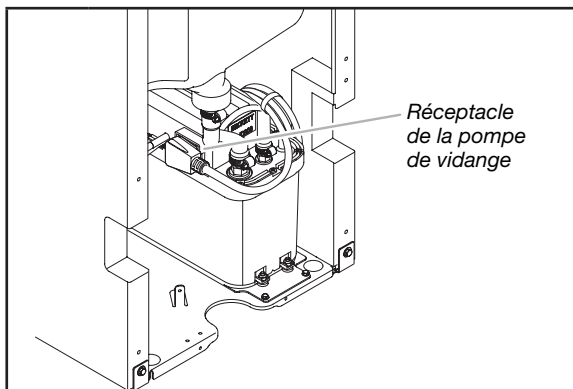
9

Aligner les 2 trous de vis situés à l'arrière de la pompe. Utiliser deux vis no 8-32 x 3/8 po (incluses).



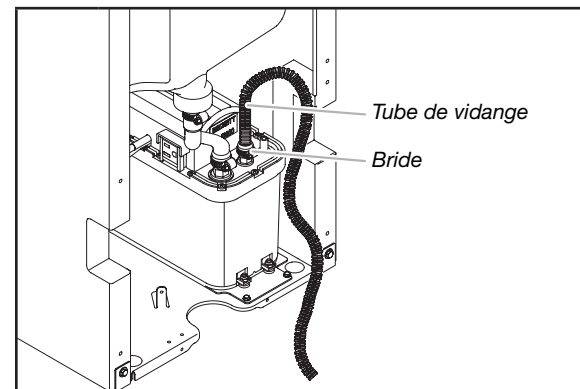
11

Fixer le cordon d'alimentation de la pompe de vidange sur la paroi latérale de la machine à glaçons à l'aide de la bride et de la vis enlevées à l'étape 7 et qui servaient à fixer le cordon d'alimentation du cordon d'alimentation de la machine à glaçons.



10

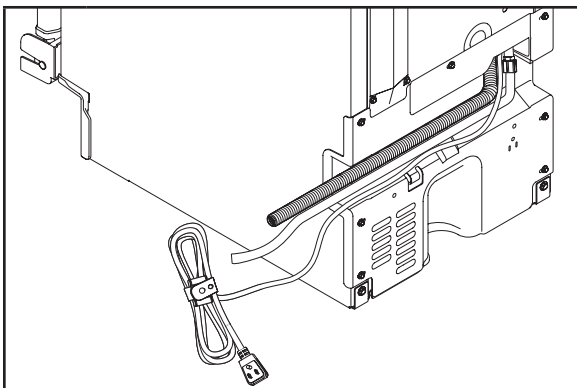
Enrouler le cordon d'alimentation de la machine à glaçons pour créer un rouleau de 10,2 cm (4 po). Utiliser du ruban électrique à plusieurs endroits pour maintenir le cordon en rouleau. Placer le rouleau de cordon d'alimentation entre la pompe de vidange et le côté, puis le brancher à la pompe de vidange.



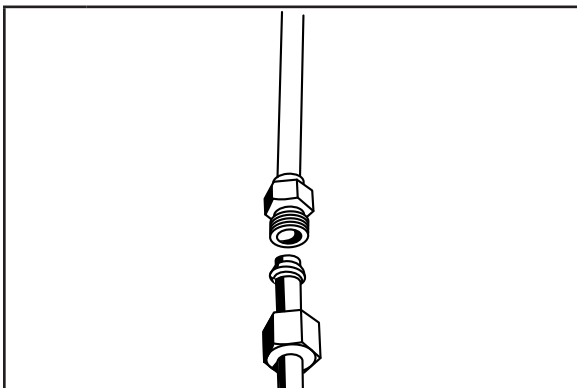
12

Fixer le tube de vidange de 1/2 po de diamètre intérieur x 3 m (10 pi) à la pompe de vidange. Serrer à l'aide de la bride qui accompagnait le tube de vidange.

REMARQUE : Ne pas raccorder l'extrémité de sortie du tuyau de vidange à un système de canalisation fermé afin d'empêcher l'eau de vidange de refouler dans la machine à glaçons.



13 Placer le panneau arrière contre le dos de la machine à glaçons. Acheminer le tube de vidange et le cordon d'alimentation de la pompe de vidange par la fente du panneau arrière de la machine à glaçons.



14 Raccorder la machine à glaçons à l'arrivée d'eau et l'installer comme indiqué dans les instructions d'installation du produit. Contrôler tous les raccords pour vérifier l'absence de fuites.

⚠️ AVERTISSEMENT



Risque de choc électrique

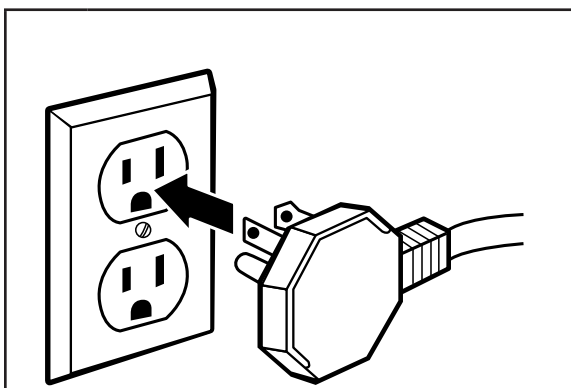
Brancher sur une prise à 3 alvéoles reliée à la terre.

Ne pas enlever la broche de liaison à la terre.

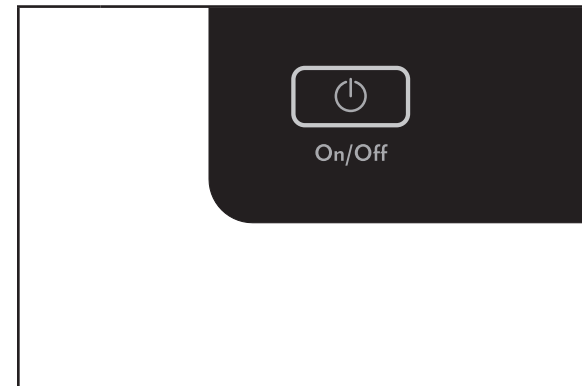
Ne pas utiliser un adaptateur.

Ne pas utiliser un câble de rallonge.

Le non-respect de ces instructions peut causer un décès, un incendie ou un choc électrique.



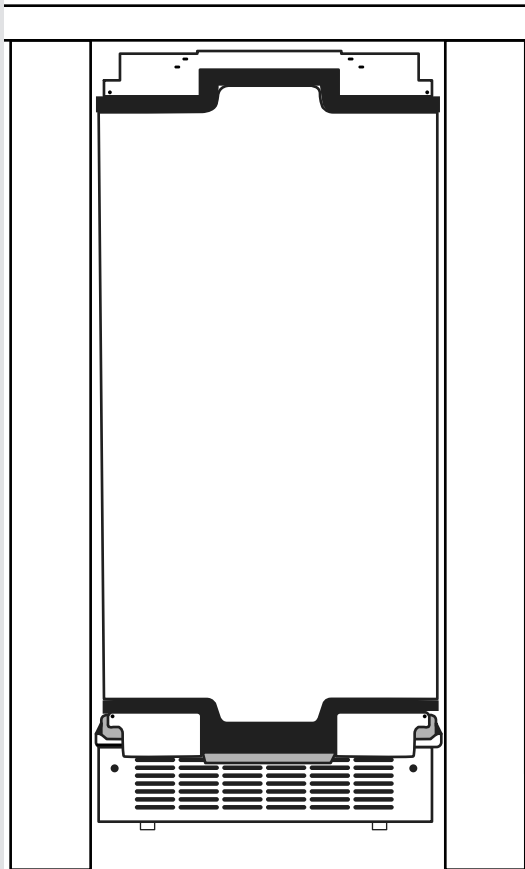
15 Rebrancher la machine à glaçons ou l'alimenter.



16 Mettre la machine à glaçons en marche. Attendre que le programme de rinçage se déclenche (environ 5 minutes) pour s'assurer que la machine à glaçons fonctionne correctement.

INSTALLATION

RACCORDEMENT DE LA VIDANGE

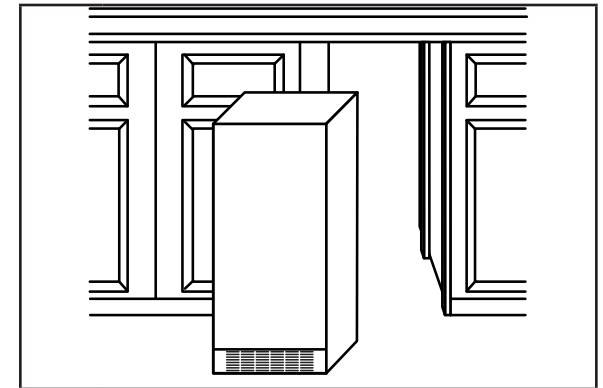


⚠ AVERTISSEMENT

Risque de poids excessif.

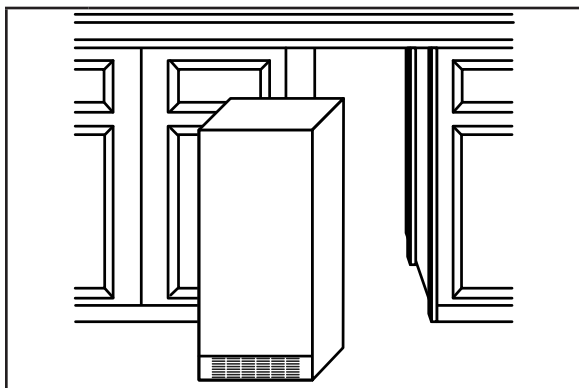
Utiliser au moins deux personnes pour déplacer et installer la machine à glaçons.

Le non-respect de cette instruction peut entraîner une blessure au dos ou d'autres blessures.



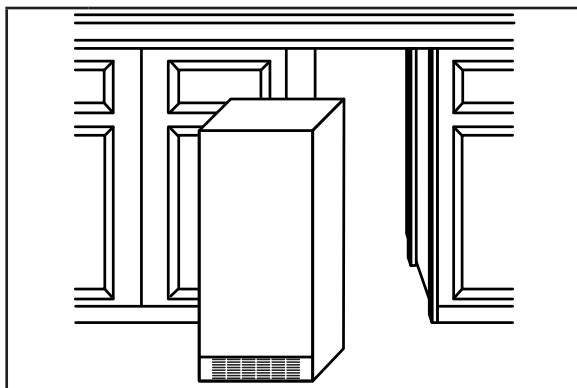
1

Placer la machine à glaçons à son emplacement final.

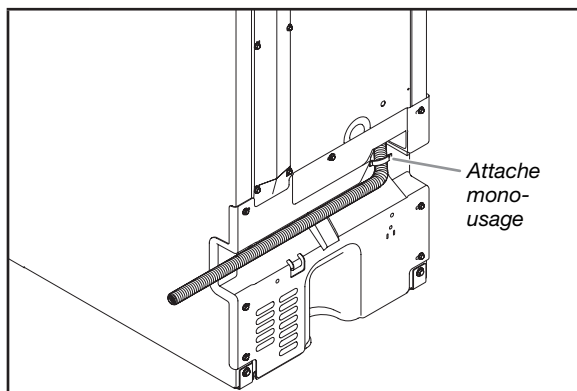


2 **Style 1** – Pour un système de vidange par gravité, pousser la machine à glaçons en position pour que le conduit de vidange soit positionné au-dessus du réducteur de vidange en PVC. Voir la section “Système de vidange par gravité”.

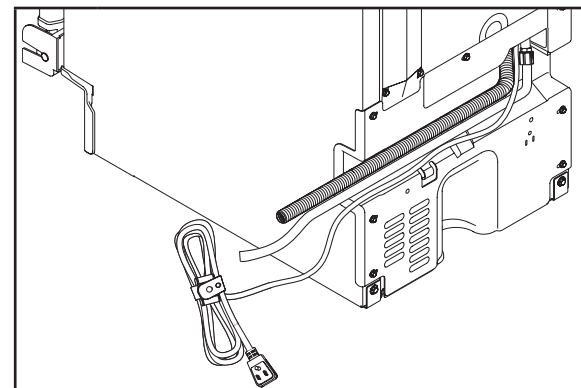
Style 2 – Pour un système avec pompe de vidange, connecter le tuyau de sortie de la pompe au drain. Voir la section “Spécifications de l’évacuation”.



3 Vérifier à nouveau la machine à glaçons pour s’assurer qu’elle est bien d’aplomb. Voir la section “Mettre à niveau et sécuriser”.



4 À l’aide d’une attache mono-usage, fixer le tuyau de vidange au panneau arrière comme illustré. Le panneau arrière est muni de deux trous pour fixer l’attache mono-usage.

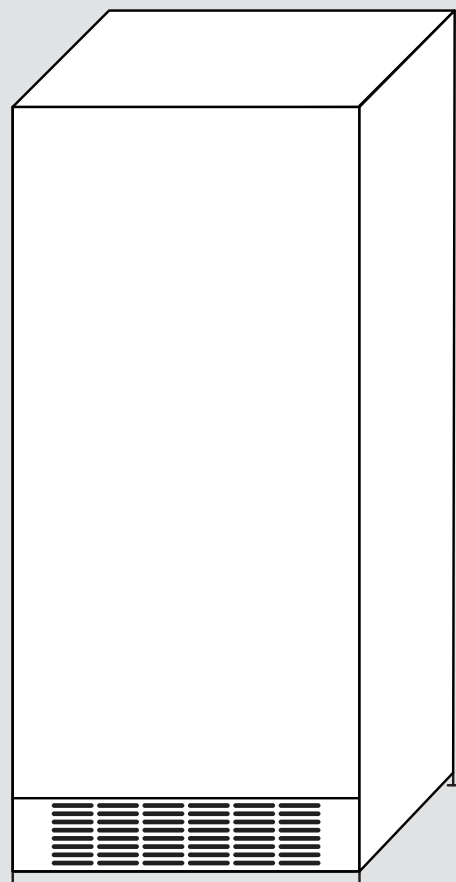


5 Placer la machine à glaçon dans l’armoire. Pousser toute longueur de tuyau de vidange ou cordon d’alimentation supplémentaire dans la fente du panneau arrière de la machine à glaçons. Suivre la même procédure pour replacer l’appareil dans l’armoire après un entretien.

REMARQUE : Les raccords peuvent être acheminés sur le côté droit ou gauche. L’illustration présente les raccords sur le côté gauche.

INSTALLATION

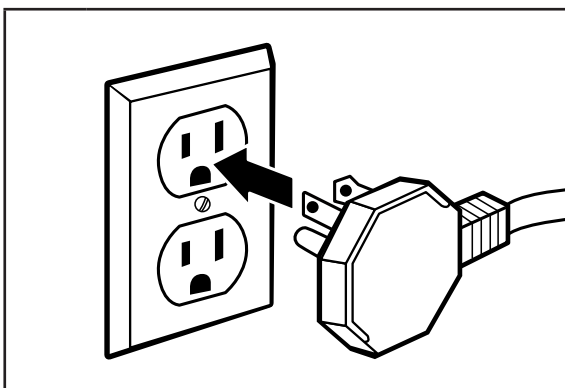
METTRE À NIVEAU ET SÉCURISER



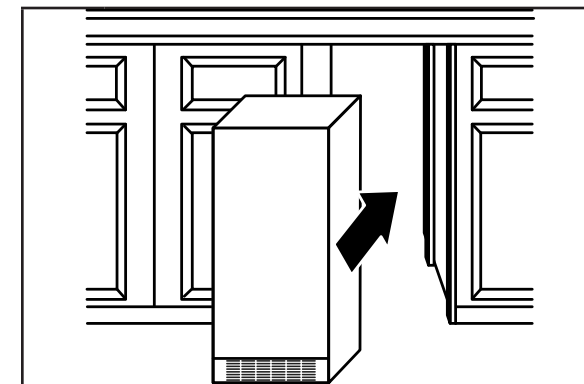
⚠ AVERTISSEMENT



Risque de choc électrique
Brancher sur une prise de courant à 3 alvéoles reliée à la terre.
Ne pas enlever la prise de liaison à la terre.
Ne pas utiliser d'adaptateur.
Ne pas utiliser de rallonge.
Le non-respect de ces instructions peut causer un décès ou un choc électrique.



1 Brancher l'appareil sur une prise à 3 alvéoles reliée à la terre.



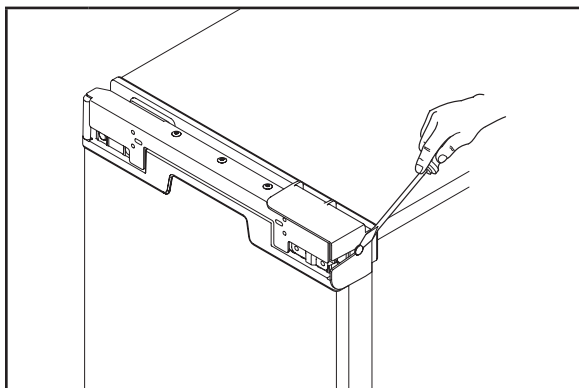
2 Déplacer la machine à glaçons en face de son emplacement final.

⚠ AVERTISSEMENT

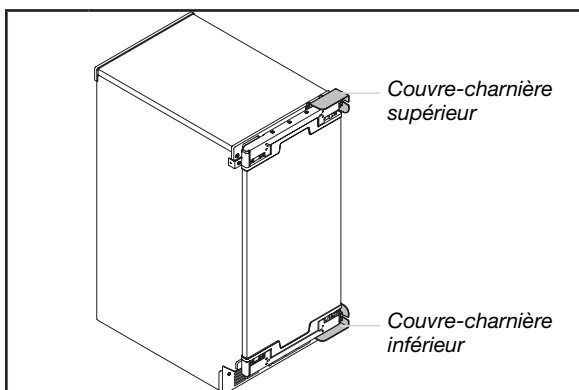


Risque d'écrasement
Les charnières articulées sont conçues pour se fermer toutes seules et plusieurs points de pincement existent avant l'installation dans l'armoire.
Ne pas retirer les couvre-charnières avant que le produit ne soit prêt à être installé.
Le non-respect de ces instructions peut causer une blessure par écrasement, coupure ou pincement.

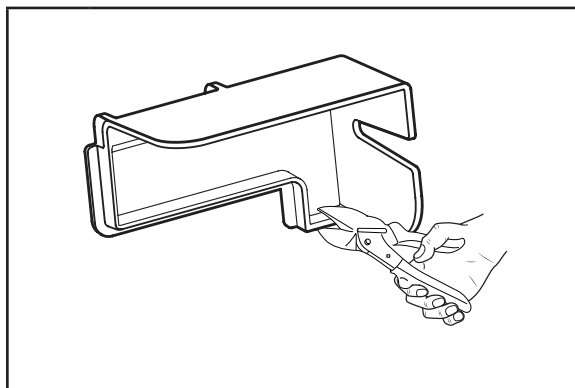
INSTALLATION



- 3** Retirer les vis fixant le dessus et le dessous des couvre-charnières en utilisant un tournevis à lame plate.

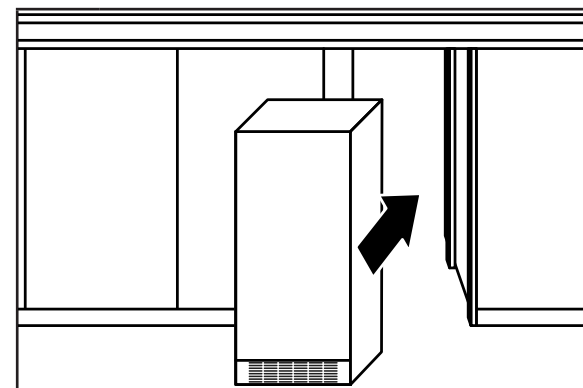


- 4** Retirer les couvre-charnières des charnières inférieure et supérieure.

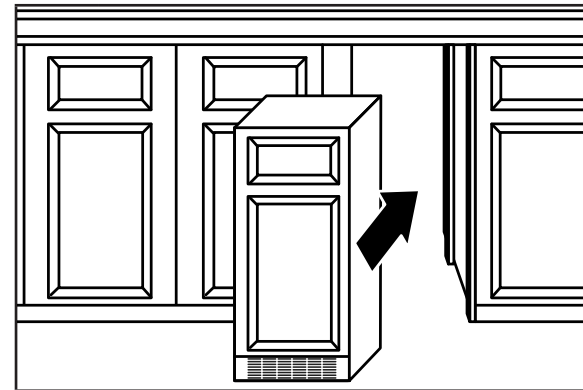


- 5** Pour retirer les couvre-charnières, couper le couvre-charnière au point indiqué en utilisant une pince à couper diagonale, puis retirer les charnières.
REMARQUE : Réinstaller les couvre-charnières si le produit est retiré de l'installation dans l'armoire.

- 6** Consulter les instructions accompagnant la trousse pour installer le panneau en acier inoxydable. Passer cette étape et poursuivre à l'étape 8 si un panneau de bois personnalisé est utilisé.



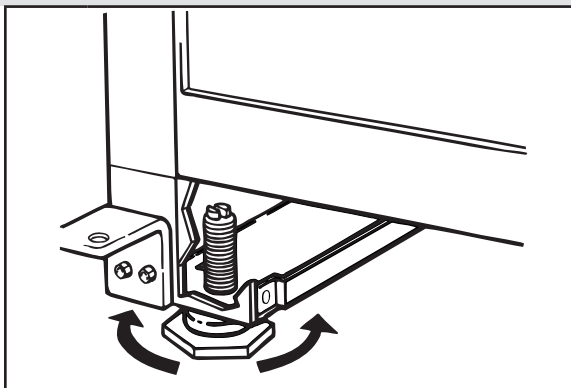
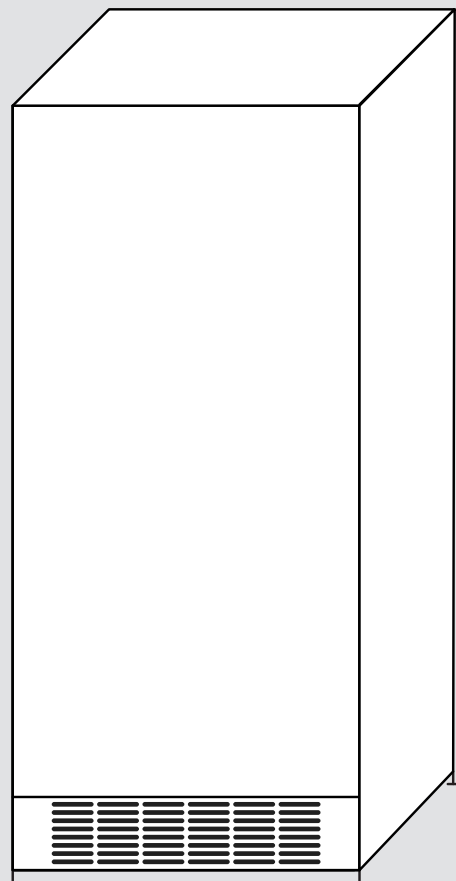
- 7** Placer l'appareil dans l'armoire. Positionner l'appareil jusqu'à ce que le panneau de l'appareil soit en affleurement avec les armoires de chaque côté.



- 8** Placer l'appareil dans l'armoire. Tenir le panneau de bois personnalisé sur la porte. Positionner l'appareil pour que le panneau soit en affleurement avec les armoires de chaque côté. Pour l'installation du panneau en acier inoxydable, passer cette étape.

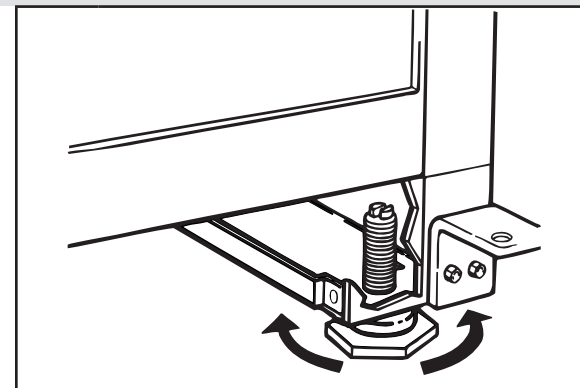
INSTALLATION

METTRE À NIVEAU ET SÉCURISER (SUITE)

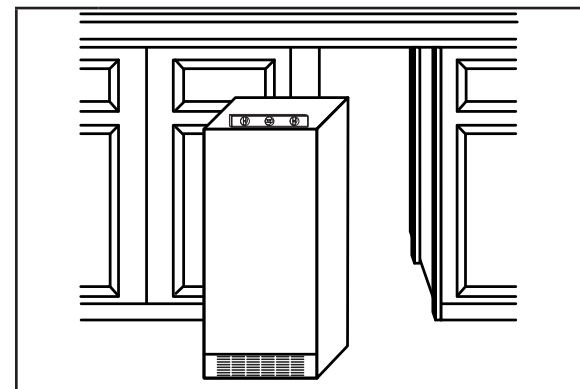


9 Pousser vers le haut sur la partie avant de la machine à glaçons et repérer les vis de nivellement qui se trouvent sur le fond avant. Au moyen d'une clé à molette, placer la hauteur des pieds comme suit :

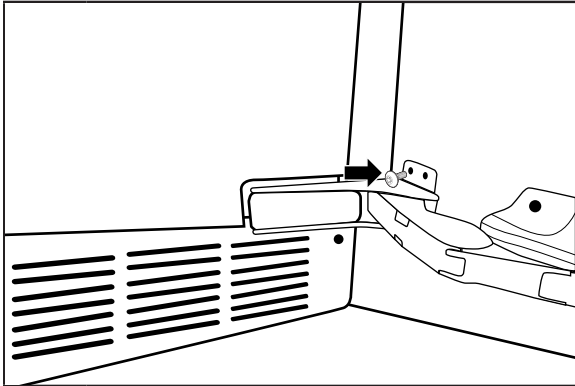
- Tourner le pied de nivellement vers la droite pour abaisser la machine à glaçons.
- Tourner le pied de nivellement vers la gauche pour soulever la machine à glaçons.



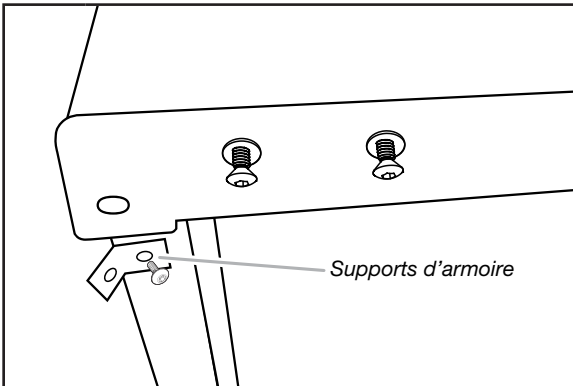
10 Pousser vers le haut sur la partie arrière de la machine à glaçons et repérer les pieds de nivellement qui se trouvent sur le fond arrière. Répéter les instructions de l'étape 3 pour placer la hauteur des pieds.



11 Utiliser un niveau pour vérifier si la machine à glaçons est d'aplomb d'avant en arrière et transversalement. Si la machine à glaçons n'est pas d'aplomb, répéter les étapes 9 et 10.



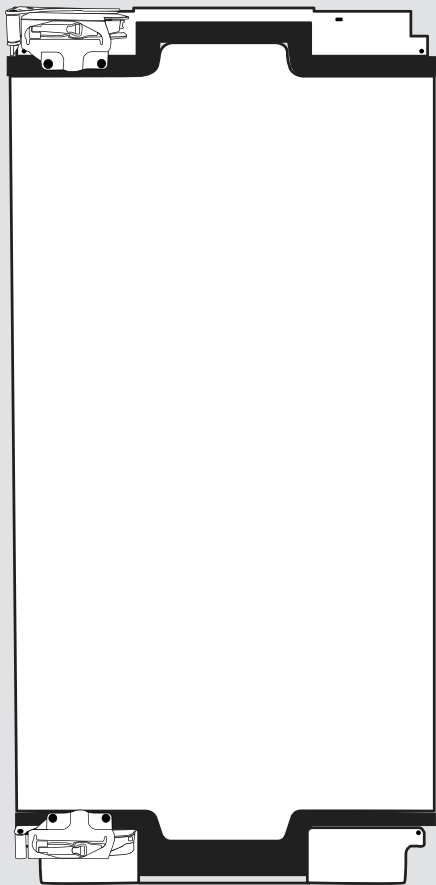
12 Fixer les charnières du haut et du bas sur le côté de l'armoire en utilisant des vis à bois.



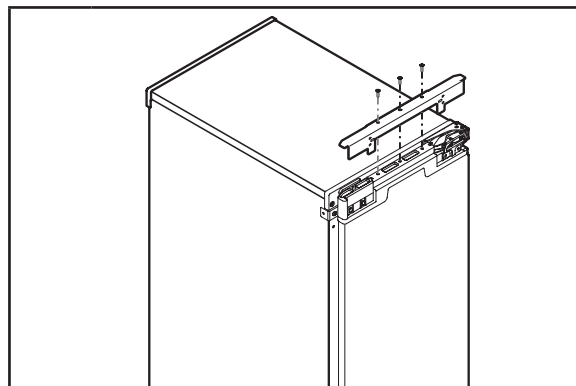
13 Des trous ont été percés du côté sans charnière pour l'installation des supports d'armoire. Fixer les supports d'armoire (inclus avec l'appareil) à l'avant de la machine à glaçons comme illustré. Fixer les charnières d'armoire sur le côté de l'armoire en utilisant des vis à bois.

INSTALLATION

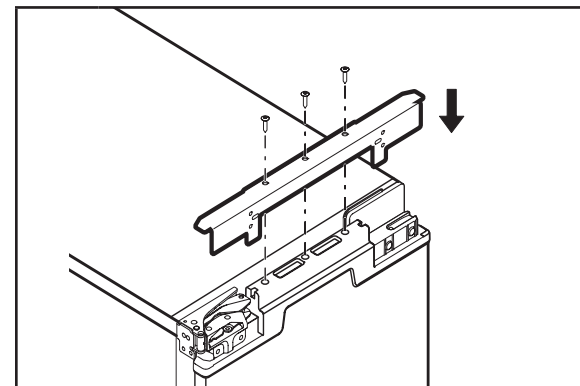
PANNEAU DE PORTE EN BOIS PERSONNALISÉ



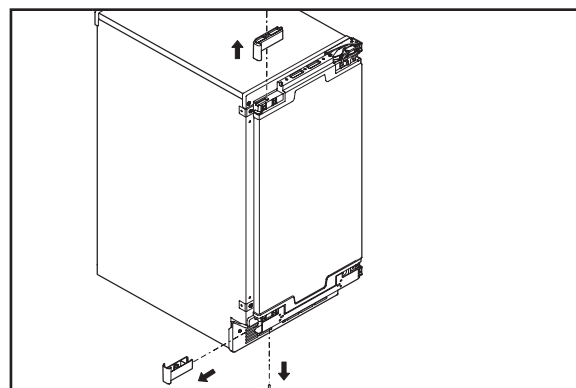
! Si un panneau en acier inoxydable est installé, passer la section "Panneau de porte en bois personnalisé".



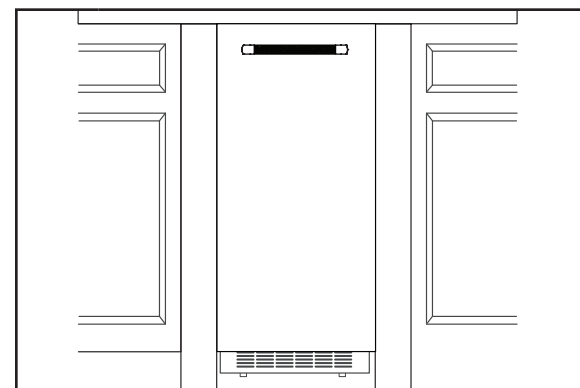
1 Retirer les (3) vis du support en métal du haut. Retirer et conserver pour plus tard le support en métal.



3 Replacer le support de métal du haut en utilisant les (3) vis retirées à l'étape 1.

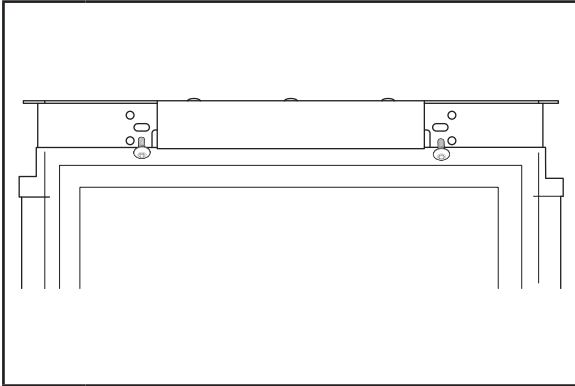


2 Retirer les embouts de plastique supérieur et inférieur et les conserver pour plus tard.

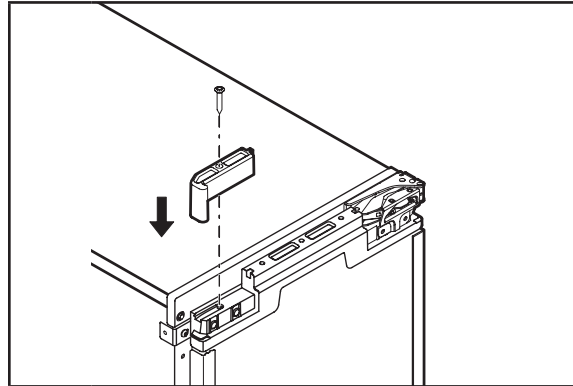


4 Coller le panneau personnalisé sur la porte en utilisant des morceaux d'adhésifs recto verso et en poussant doucement. Ajuster la hauteur du panneau pour obtenir un espace de 1/8 po (3,175 mm) entre le haut du panneau de porte et l'ouverture sous le comptoir. Appuyer fermement le panneau contre la porte.

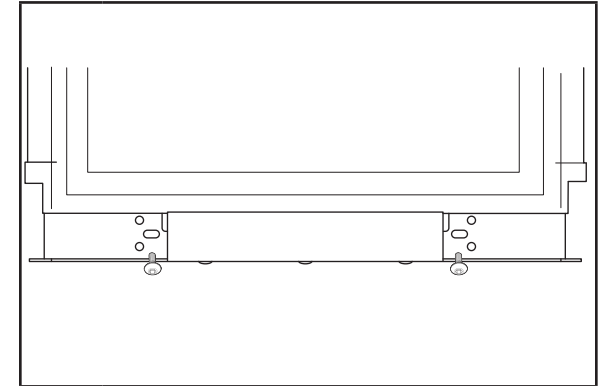
INSTALLATION



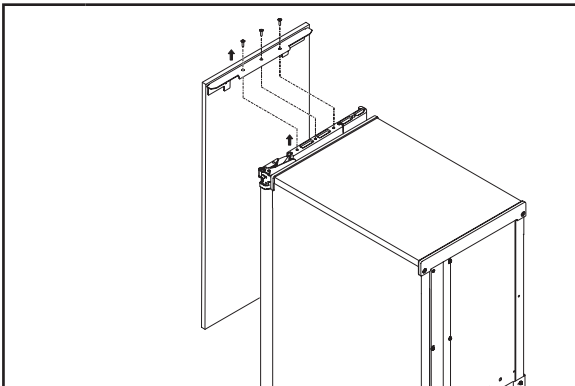
5 À partir de l'intérieur de la porte, installer les (2) vis à bois dans les fentes du support en métal du haut. Effectuer l'ajustement gauche-droite du panneau pour obtenir un espace de 1/8 po (3,175 mm) de chaque côté. Installer les vis restantes sur le panneau de porte en passant par les supports.



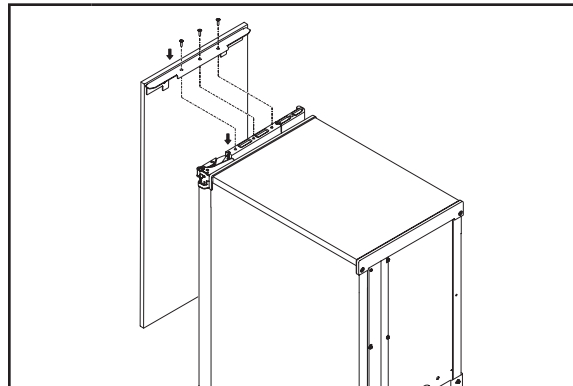
7 Replacer l'embout supérieur sur le panneau de porte.



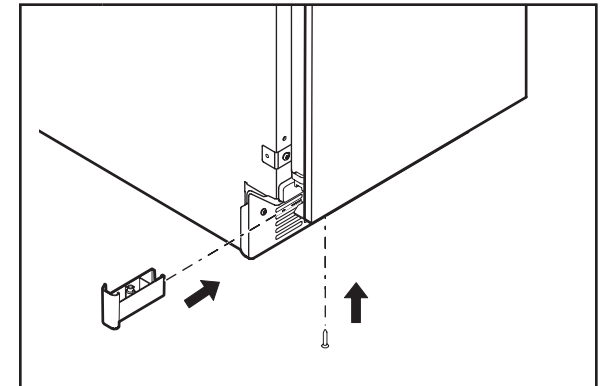
9 À partir de l'intérieur de la porte, installer les (6) vis à bois dans les fentes du bas du support en métal.



6 Retirer le support de métal du haut avec le panneau de bois personnalisé de la porte de la machine à glaçon et conserver l'ensemble pour plus tard.



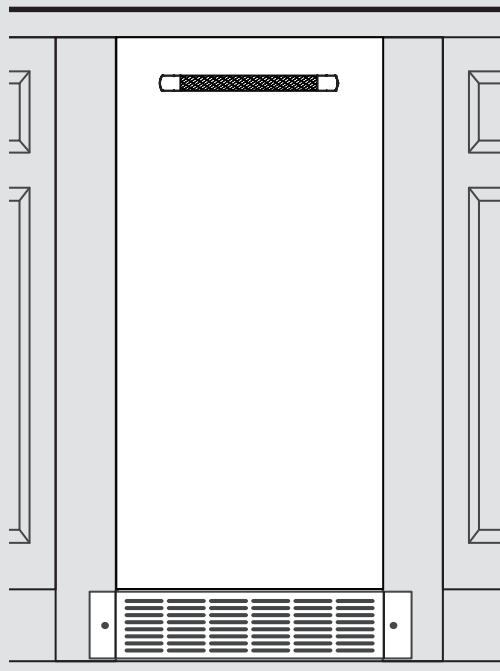
8 Installer le support de métal du haut avec le panneau de bois personnalisé sur la porte de la machine à glaçon.



10 Replacer l'embout du bas.

INSTALLATION

INSTALLATION DE LA GRILLE AUXILIAIRE



La grille auxiliaire est un accessoire optionnel. Elle peut être utilisée pour aligner la grille inférieure avec le reste des armoires sans bloquer la ventilation de la machine à glaçons.

REMARQUE : N'installer la grille auxiliaire qu'après avoir terminé l'installation de la machine à glaçons.

Outils requis :

- Tournevis Torx T20
- Perceuse et foret de 1/8 po

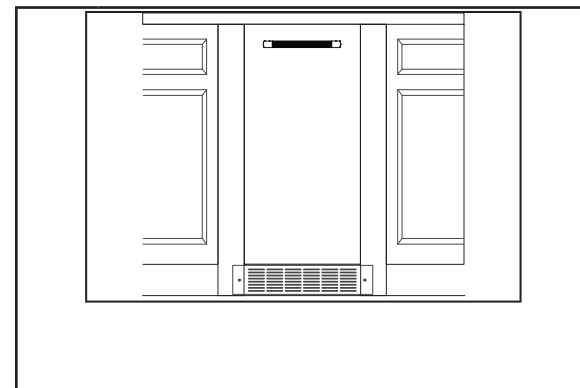
1 Retirer les matériaux d'emballage et les jeter.

2 Retirer les vis collées à l'intérieur de la grille auxiliaire.

3 Placer la grille dans l'armoire. Aligner les parties pour que le motif de grilles de la grille auxiliaire corresponde à celui de la grille inférieure de la machine à glaçons.

4 Centre la grille auxiliaire avec la découpe de la machine à glaçons. Marque sur les armoires les emplacements des trous de chaque côté de la grille auxiliaire.

5 À l'aide du foret de 1/8 po, percer les trous dans les armoires. Ils permettent d'utiliser des vis no 8-18 x 0,750 po.



6 À l'aide d'un tournevis TORX T20, visser la grille auxiliaire aux armoires.

ANNEXE

ACCESSOIRES

IMPORTANT : Une pompe de vidange est nécessaire lorsqu'on ne dispose pas de drain au plancher. Il est possible d'acheter la trousse de pompe de vidange (numéro de pièce 1901A) au jennair.com/accessories/details/1901A.

REMARQUE : Il sera peut-être souhaitable d'isoler le tuyau de vidange complètement jusqu'à l'entrée du drain de vidange. Il est possible d'acheter la trousse de gaine isolante (numéro de pièce W10365792) au jennair.com/accessories/details/W10365792.

Pour commander une trousse de panneau de porte en acier inoxydable, visiter le jennair.com.

NOTES:

