

# 30" (76.2 CM) AND 36" (91.4 CM) RETRACTABLE (POP-UP) DOWNDRAFT VENT SYSTEM

## SYSTÈME DE VENTILATION RÉTRACTABLE (CLAPET) DE 30" (76,2 CM) ET 36" (91,4 CM) - ASPIRATION PAR LE BAS

---

### **Installation Instructions and Use & Care Guide**

For questions about features, operation/performance, parts, accessories, or service in the U.S.A., call:  
**1-800-JENNAIR (1-800-536-6247)**, or visit our website at [www.jennair.com](http://www.jennair.com).  
In Canada, call: **1-800-JENNAIR (1-800-536-6247)**, or visit our website at [www.jennair.ca](http://www.jennair.ca).

---

### **Instructions d'installation et Guide d'utilisation et d'entretien**

Pour des questions à propos des caractéristiques, du fonctionnement/rendement, des pièces, accessoires ou dépannage, composer le :  
**1-800-JENNAIR (1-800-536-6247)** ou visitez notre site web à [www.jennair.com](http://www.jennair.com).  
Au Canada, composer le : **1-800-JENNAIR (1-800-536-6247)** ou visitez notre site web à [www.jennair.ca](http://www.jennair.ca).

**IMPORTANT: READ AND SAVE THESE INSTRUCTIONS.  
FOR RESIDENTIAL USE ONLY.**

**IMPORTANT : LIRE ET CONSERVER CES INSTRUCTIONS.  
POUR UTILISATION RÉSIDENIELLE UNIQUEMENT.**



## TABLE OF CONTENTS

<b>VENT SYSTEM SAFETY</b> .....	<b>3</b>
<b>INSTALLATION REQUIREMENTS</b> .....	<b>5</b>
Tools and Parts.....	5
Location Requirements.....	5
Electrical Requirements.....	8
Venting Requirements.....	8
<b>INSTALLATION INSTRUCTIONS</b> .....	<b>9</b>
Venting Methods.....	9
Install Vent System.....	10
Rear Mounting — Blower Motor.....	12
Complete Installation.....	14
Make Electrical Connections.....	16
Check Operation.....	16
<b>VENT SYSTEM USE</b> .....	<b>17</b>
Operating Downdraft Vent.....	17
<b>VENT SYSTEM CARE</b> .....	<b>17</b>
Surface of Downdraft Vent.....	17
Filters.....	17
<b>TROUBLESHOOTING</b> .....	<b>18</b>
<b>WIRING DIAGRAM</b> .....	<b>19</b>
<b>ASSISTANCE OR SERVICE</b> .....	<b>20</b>
In the U.S.A.....	20
In Canada.....	20
Accessories.....	20
<b>WARRANTY</b> .....	<b>21</b>

## TABLE DES MATIÈRES

<b>SÉCURITÉ DU SYSTÈME DE VENTILATION</b> .....	<b>22</b>
<b>EXIGENCES D'INSTALLATION</b> .....	<b>24</b>
Outils et pièces.....	24
Exigences d'emplacement.....	24
Spécifications électriques.....	27
Exigences concernant l'évacuation.....	27
<b>INSTRUCTIONS D'INSTALLATION</b> .....	<b>28</b>
Méthodes d'évacuation.....	28
Installation du conduit d'évacuation.....	29
Montage du ventilateur à l'arrière.....	31
Achever l'installation.....	33
Raccordements électriques.....	35
Contrôle du fonctionnement.....	35
<b>UTILISATION DU SYSTÈME D'EXTRACTION</b> .....	<b>36</b>
Utilisation du système d'extraction par le bas.....	36
<b>ENTRETIEN DU SYSTÈME D'ÉVACUATION</b> .....	<b>37</b>
Surface du système d'extraction par le bas.....	37
Filtres.....	37
<b>DÉPANNAGE</b> .....	<b>38</b>
<b>SCHÉMA DE CÂBLAGE</b> .....	<b>39</b>
<b>ASSISTANCE OU SERVICE</b> .....	<b>40</b>
Aux É.-U.....	40
Au Canada.....	40
Accessoires.....	40
<b>GARANTIE</b> .....	<b>41</b>

# VENT SYSTEM SAFETY

## Your safety and the safety of others are very important.

We have provided many important safety messages in this manual and on your appliance. Always read and obey all safety messages.



This is the safety alert symbol.

This symbol alerts you to potential hazards that can kill or hurt you and others.

All safety messages will follow the safety alert symbol and either the word "DANGER" or "WARNING."

These words mean:

 **DANGER**

**You can be killed or seriously injured if you don't immediately follow instructions.**

 **WARNING**

**You can be killed or seriously injured if you don't follow instructions.**

All safety messages will tell you what the potential hazard is, tell you how to reduce the chance of injury, and tell you what can happen if the instructions are not followed.

State of California Proposition 65 Warnings:

WARNING: This product contains one or more chemicals known to the State of California to cause cancer.

WARNING: This product contains one or more chemicals known to the State of California to cause birth defects or other reproductive harm.

# IMPORTANT SAFETY INSTRUCTIONS

**WARNING:** TO REDUCE THE RISK OF FIRE, ELECTRIC SHOCK, OR INJURY TO PERSONS, OBSERVE THE FOLLOWING:

- Use this unit only in the manner intended by the manufacturer. If you have questions, contact the manufacturer.
- Before servicing or cleaning the unit, switch power off at service panel and lock the service disconnecting means to prevent power from being switched on accidentally. When the service disconnecting means cannot be locked, securely fasten a prominent warning device, such as a tag, to the service panel.
- Installation work and electrical wiring must be done by qualified person(s) in accordance with all applicable codes and standards, including fire-rated construction.
- Do not operate any fan with a damaged cord or plug. Discard fan or return to an authorized service facility for examination and/or repair.
- Sufficient air is needed for proper combustion and exhausting of gases through the flue (chimney) of fuel burning equipment to prevent backdrafting. Follow the heating equipment manufacturer's guideline and safety standards such as those published by the National Fire Protection Association (NFPA), the American Society for Heating, Refrigeration and Air Conditioning Engineers (ASHRAE), and the local code authorities.
- When cutting or drilling into wall or ceiling, do not damage electrical wiring and other hidden utilities.
- Ducted fans must always be vented outdoors.

**CAUTION:** For general ventilating use only. Do not use to exhaust hazardous or explosive materials and vapors.

**CAUTION:** To reduce risk of fire and to properly exhaust air, be sure to duct air outside - do not vent exhaust air into spaces within walls or ceilings, attics or into crawl spaces, or garages.

**WARNING:** TO REDUCE THE RISK OF FIRE, USE ONLY METAL DUCTWORK.

**WARNING:** TO REDUCE THE RISK OF A RANGE TOP GREASE FIRE:

- Never leave surface units unattended at high settings. Boilovers cause smoking and greasy spillovers that may ignite. Heat oils slowly on low or medium settings.
- Always turn hood ON when cooking at high heat or when flambeing food (i.e. Crepes Suzette, Cherries Jubilee, Peppercorn Beef Flambé).
- Clean ventilating fans frequently. Grease should not be allowed to accumulate on fan or filter.
- Use proper pan size. Always use cookware appropriate for the size of the surface element.

**WARNING:** TO REDUCE THE RISK OF INJURY TO PERSONS IN THE EVENT OF A RANGE TOP GREASE FIRE, OBSERVE THE FOLLOWING:<sup>a</sup>

- SMOTHER FLAMES with a close fitting lid, cookie sheet, or metal tray, then turn off the burner. BE CAREFUL TO PREVENT BURNS. If the flames do not go out immediately, EVACUATE AND CALL THE FIRE DEPARTMENT.
- NEVER PICK UP A FLAMING PAN - you may be burned.
- DO NOT USE WATER, including wet dishcloths or towels - a violent steam explosion will result.
- Use an extinguisher ONLY if:
  - You know you have a class ABC extinguisher, and you already know how to operate it.
  - The fire is small and contained in the area where it started.
  - The fire department is being called.
  - You can fight the fire with your back to an exit.

<sup>a</sup>Based on "Kitchen Fire Safety Tips" published by NFPA.

- **WARNING:** To reduce the risk of fire or electrical shock, do not use this fan with any solid-state speed control device.

## READ AND SAVE THESE INSTRUCTIONS

# INSTALLATION REQUIREMENTS

## Tools and Parts

Gather the required tools and parts before starting installation. Read and follow the instructions provided with any tools listed here.

### Tools Needed

- Jigsaw or keyhole saw
- Drill
- 1/8" (3 mm) drill bit for pilot holes
- Pencil
- Tape measure or ruler
- Flat-blade screwdriver
- Phillips screwdriver
- 3/8" (9.5 mm) nut driver
- Level
- Pliers
- Metal snips
- Wire stripper or utility knife
- Caulking gun and weatherproof caulking compound

### Parts Supplied

- Top trim – stainless
- End caps (2)
- Lower support legs (2)
- Undercounter mounting brackets (2)
- 4 x 8 mm screws (16)
- 3.5 x 9.5 mm screws (3)
- 3 1/4" x 10" (8.3 cm x 25.4 cm) rectangular damper
- 4 3/4" (12.0 cm) motor box
- 1/4" (6.4 mm) deep cover
- Flat vent cover plate
- 6" (15.2 cm) diameter vent transition with damper

### Parts Needed

- UL listed or CSA approved 1/2" (12.7 mm) conduit connector
- Wall or roof cap with damper to match vent system
- Vent system
- Home power supply cable
- UL listed wire connectors (3)
- Vent clamps/duct tape as required

## Location Requirements

**NOTE:** Downdraft vent is installed directly behind the cooktop. Install the downdraft vent first, and then install the cooktop.

**IMPORTANT:** Observe all governing codes and ordinances.

- Have a qualified technician install the downdraft vent. It is the installer's responsibility to comply with installation clearances specified on the model/serial/rating plate. The model/serial/rating plate is located on the front of the downdraft vent above the terminal box cover.
- Downdraft vent location should be away from strong draft areas, such as windows, doors, and strong heating vents or fans.
- Cabinet opening dimensions that are shown must be used. Given dimensions provide minimum clearance.
- Consult the cooktop manufacturer installation instructions before making any cutouts.

Check that the downdraft vent and cooktop location will clear the cabinet walls, backsplash, and rear wall studs inside the cabinet.

Check for the minimum distance between the front edge of the countertop and the front edge of the cooktop. The minimum horizontal distance between the overhead cabinets is the same as the width of the installed downdraft vent.

- All openings in ceiling and wall where the downdraft vent will be installed must be sealed.
- Grounded electrical outlet is required. See "Electrical Requirements" section.
- When installing the downdraft vent, the cabinet drawer will need to be removed and the drawer front installed permanently to the cabinet.

### Cabinet Construction:

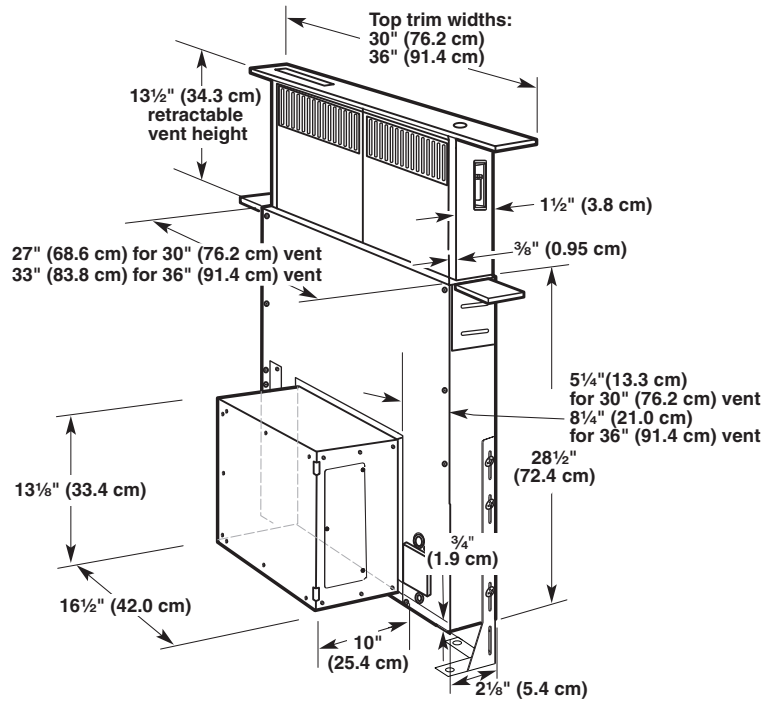
Downdraft vent is designed for use in a cabinet with a depth of 24" (61 cm). Some installations require a countertop deeper than 25" (63.5 cm). See the "Countertop Cutout Dimensions" section.

The maximum depth of the overhead cabinet is 13" (33 cm). Overhead cabinets installed at either side of the downdraft vent must be 18" (45.7 cm) above the cooking surface.

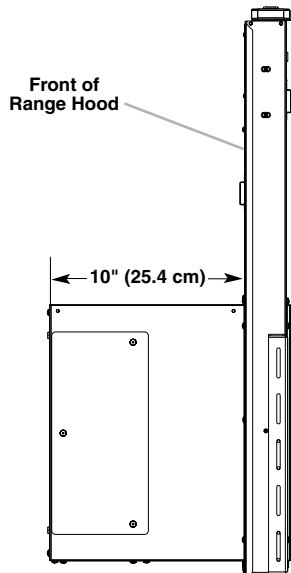
### For Mobile Home Installations

The installation of this downdraft vent must conform to the Manufactured Home Construction Safety Standards, Title 24 CFR, Part 328 (formerly the Federal Standard for Mobile Home Construction and Safety, title 24, HUD, Part 280) or when such standard is not applicable, the standard for Manufactured Home Installation 1982 (Manufactured Home Sites, Communities and Setups) ANSI A225.1/NFPA 501A, or latest edition, or with local codes.

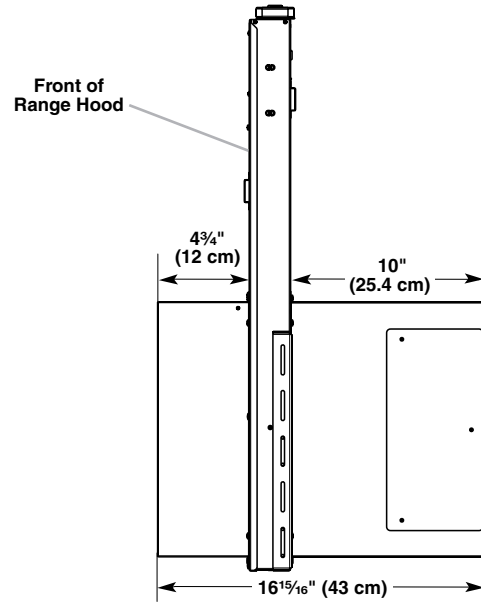
**Product Dimensions**



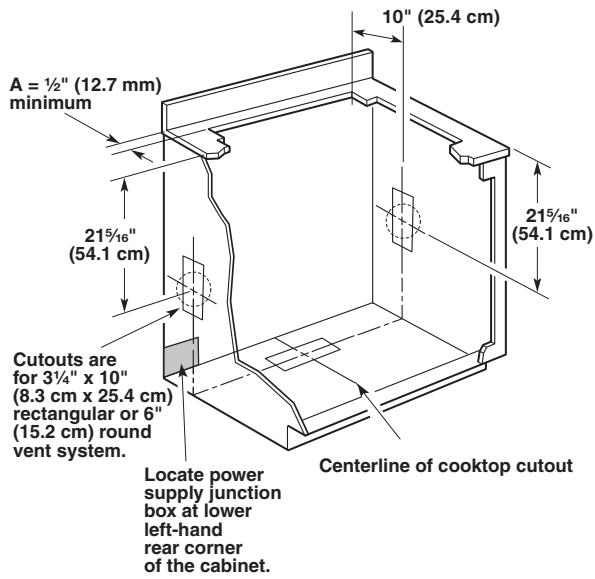
**As-Received Blower**



**Reversed Blower**



## Cabinet Dimensions



### NOTES:

- See cooktop manufacturer's instructions for cooktop cutout depth and width.
- Use dimensions for vent system cutout location that applies to your installation.
- Interior-mounted blower systems connect with 3 1/4" x 10" (8.3 cm x 25.4 cm) rectangular or 6" (15.2 cm) round vent system. The cutout locations for this vent system will depend on your specific installation.

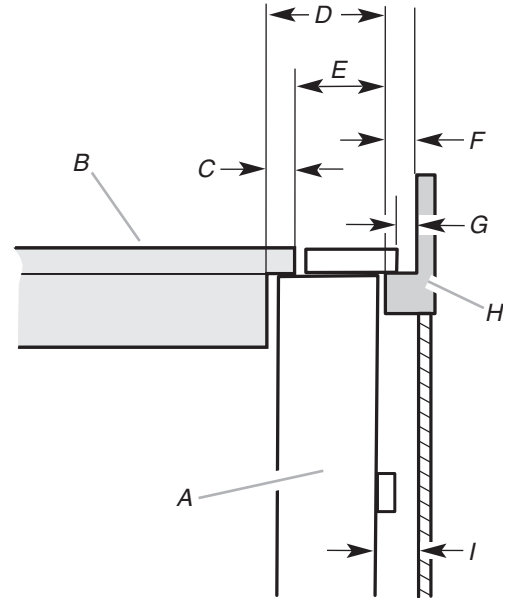
## Countertop Cutout Dimensions

**IMPORTANT:** Countertops with a bull-nosed front edge are not recommended for these installations.

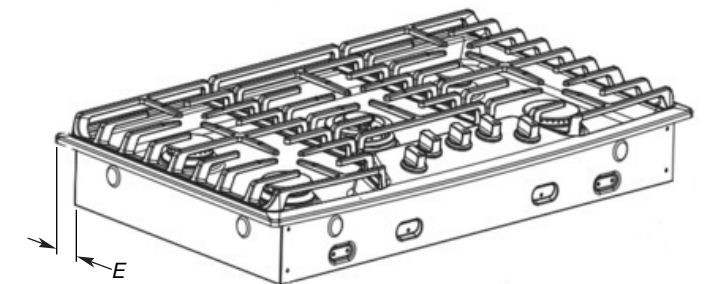
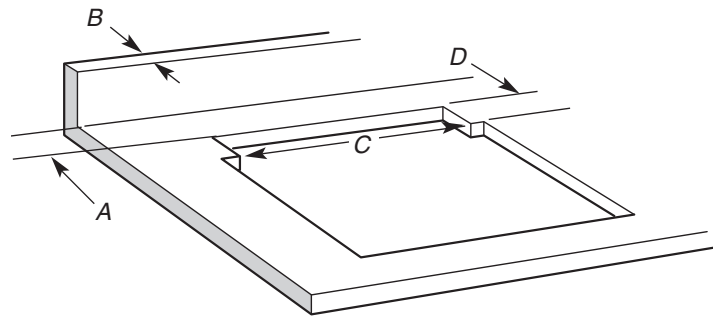
Some models require a countertop deeper than 25" (63.5 cm); see the following illustrations.

To avoid mistakes, it is recommended that the cooktop and vent cutouts be drawn on the countertop before making any cutouts.

See the Installation Instructions that came with your cooktop for complete cutout dimensions, location dimensions, and installation details.



- A.** Downdraft vent
- B.** Cooktop
- C.** Measurement of cooktop rear overhang
- D.**  $D = \text{Measurement of cooktop rear overhang (C)} + 1^{13}/16"$  (46.2 mm) (E)
- E.** 1 13/16" (46.2 mm)
- F.** 1/2" (12.7 mm) minimum
- G.** 1/4" (6.4 mm) minimum
- H.** Countertop and backsplash
- I.** 1/2" (12.7 mm) minimum



- A.** 1/2" (12.7 mm) minimum to backsplash or rear wall
- B.** 3/4" (19.1 mm) maximum backsplash depth
- C.** 27 1/2" (69.9 cm) on 30" (76.2 cm) models  
33 1/2" (85.9 cm) on 36" (91.4 cm) models
- D.**  $D = E + 1^{13}/16"$  (46.2 mm)
- E.** Cooktop rear overhang

---

## Electrical Requirements

Observe all governing codes and ordinances.

Ensure that the electrical installation is adequate and in conformance with National Electrical Code, ANSI/NFPA 70 (latest edition) or CSA Standards C22.1-94, Canadian Electrical Code, Part 1 and C22.2 No. 0-M91 (latest edition) and all local codes and ordinances.

If codes permit and a separate ground wire is used, it is recommended that a qualified electrician determine that the ground path is adequate.

A copy of the above code standards can be obtained from:

National Fire Protection Association  
1 Batterymarch Park  
Quincy, MA 02169-7471

CSA International  
8501 East Pleasant Valley Road  
Cleveland, OH 44131-5575

- A 120-volt, 60 Hz., AC-only, 15-amp, fused electrical circuit is required.
- If the house has aluminum wiring, follow the procedure below:
  1. Connect a section of solid copper wire to the pigtail leads.
  2. Connect the aluminum wiring to the added section of copper wire using special connectors and/or tools designed and UL listed for joining copper to aluminum.

Follow the electrical connector manufacturer's recommended procedure. Aluminum/copper connection must conform with local codes and industry accepted wiring practices.

- Wire sizes and connections must conform with the rating of the appliance as specified on the model/serial/rating plate. The model/serial/rating plate is located on the front of the downdraft vent above the wiring box cover.
- Wire sizes must conform to the requirements of the National Electrical Code, ANSI/NFPA 70 (latest edition) or CSA Standards C22.1-94, Canadian Electrical Code, Part 1 and C22.2 No. 0-M91 (latest edition) and all local codes and ordinances.

---

## Venting Requirements

**IMPORTANT:** Make sure there is proper clearance within the wall or floor before making exhaust vent cutouts.

- Use heavy (rigid) metal vent.
- Venting system must terminate to the outside.
- Do not terminate the vent system in an attic or other enclosed area.
- Do not use 4" (10.2 cm) laundry-type wall caps.
- Do not install 2 elbows together.
- Do not use plastic or metal foil vent.
- The length of vent system and number of elbows should be kept to a minimum to provide efficient performance.
- Use no more than three 90° elbows.
- Make sure there is a minimum of 24" (61 cm) of straight vent between the elbows if more than one elbow is used.
- Use clamps or duct tape to seal all joints in the vent system.
- Use caulking tape to seal the exterior wall or floor opening around cap.
- Do not cut joist or stud. If vent cutout falls over a joist or stud, a supporting frame must be constructed.

Flexible metal vent is not recommended. If it is used, calculate each foot of flexible vent as 2 ft (0.6 m) of rigid metal vent.

Flexible elbows count twice as much as standard elbows.

### Recommended vent system length:

For either interior-mounted or exterior-mounted blower installations, the vent system length should not exceed the maximum lengths listed in the "Maximum Length of Vent System" chart. See "Calculating Vent System Length" in the "Venting Methods" section in the Installation Instructions.

### Cold Weather Installations

An additional backdraft damper should be installed to minimize backward cold airflow and a thermal break should be installed to minimize conduction of outside temperatures as part of the vent system. The damper should be on the cold air side of the thermal break.

The break should be as close as possible to where the vent system enters the heated portion of the house.

### Makeup Air

Local building codes may require the use of makeup air systems when using ventilation systems greater than specified CFM of air movement. The specified CFM varies from locale to locale. Consult your HVAC professional for specific requirements in your area.



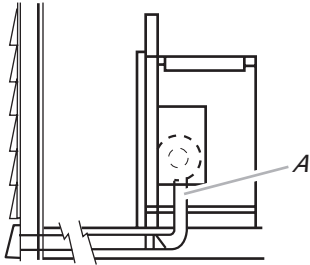
# INSTALLATION INSTRUCTIONS

## Venting Methods

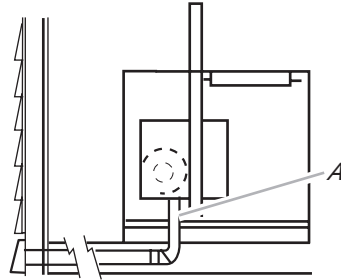
Determine which venting method is best for your application. Vent system can terminate either through the wall or floor.

### Island Location

#### Front-Mounted Blower Motor (Standard)



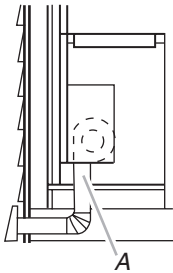
#### Rear-Mounted Blower Motor



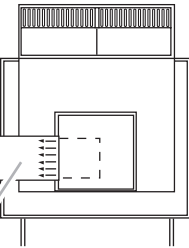
A. Down vent

**NOTE:** For island locations, a front- or rear-mounted blower motor can also be mounted for right or left venting if needed for your application. Most island applications would still require the venting to be directed down through the floor.

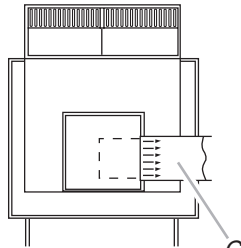
### Built-In Cabinet Location



A



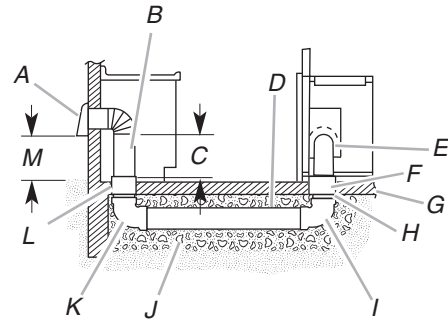
B



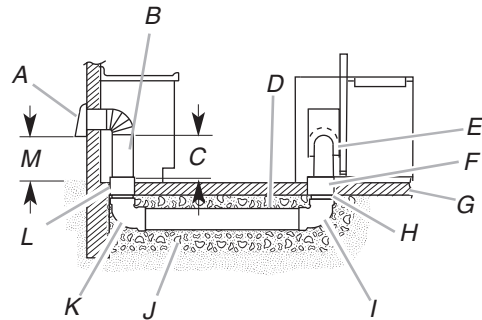
C

A. Down vent  
B. Left vent  
C. Right vent

### Island Location – Vent System Installed Under a Concrete Slab Using PVC Sewer Pipe Front-Mounted Blower Motor (Standard)



### Rear-Mounted Blower Motor



- A. Wall cap
- B. 6" (15.2 cm) round metal vent
- C. 16" (40.6 cm) maximum
- D. 6" (15.2 cm) round PVC sewer pipe
- E. 6" (15.2 cm) round metal vent transition with damper (supplied)
- F. 6" (15.2 cm) round PVC coupling
- G. Concrete slab
- H. 6" (15.2 cm) round PVC sewer pipe
- I. 6" (15.2 cm) round 90° PVC sewer pipe elbow
- J. Tightly pack gravel or sand completely around pipe.
- K. 6" (15.2 cm) round 90° PVC sewer pipe elbow
- L. 6" (15.2 cm) round PVC coupling
- M. 12" (30.5 cm) minimum

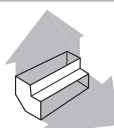
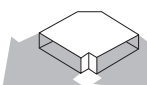
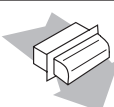



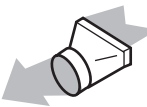
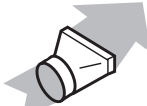
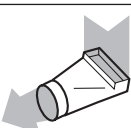
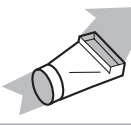
### Calculating Vent System Length

3 1/4" x 10" (8.3 cm x 25.4 cm) rectangular vent is required from the blower motor box. It can be transitioned to 6" (15.2 cm) round vent if needed.

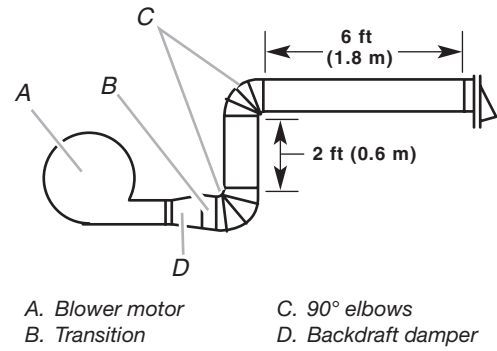
### Maximum Length of Vent System

Vent	Length
6" (15.2 cm) round	35 ft (8.9 m)
3 1/4" x 10" (8.3 cm x 25.4 cm)	35 ft (8.9 m)

To calculate the length of the system you need, add the equivalent feet (meters) for each vent piece used in the system.

Vent Piece	3 1/4" x 10" (8.3 cm x 25.4 cm) Rectangular	
3 1/4" x 10" (8.3 cm x 25.4 cm) 90° elbow	5.0 ft (1.5 m)	
3 1/4" x 10" (8.3 cm x 25.4 cm) flat elbow	12.0 ft (3.7 m)	
3 1/4" x 10" (8.3 cm x 25.4 cm) wall cap	0.0 ft (0.0 m)	
Vent Piece	6" (15.2 cm) Round	
45° elbow	2.5 ft (0.8 m)	
90° elbow	5.0 ft (1.5 m)	
6" (15.2 cm) wall cap	0.0 ft (0.0 m)	
3 1/4" x 10" (8.3 cm x 25.4 cm) to 6" (15.2 cm) transition	4.5 ft (1.4 m)	
6" (15.2 cm) to 3 1/4" x 10" (8.3 cm x 25.4 cm) transition	1 ft (0.3 m)	
3 1/4" x 10" (8.3 cm x 25.4 cm) to 6" (15.2 cm) 90° elbow transition	5.0 ft (1.5 m)	
6" (15.2 cm) to 3 1/4" x 10" (8.3 cm x 25.4 cm) 90° elbow transition	5.0 ft (1.5 m)	

### Example Vent System



The following example falls within the maximum vent length of 35 ft (8.9 m).

- 2 - 90° elbow = 10.0 ft (3 m)
- 1 - wall cap = 0.0 ft (0.0 m)
- 8 ft (2.4 m) straight = 8.0 ft (2.4 m)
- Transition = 4.5 ft (1.4 m)

Length of 6" (15.2 cm) or 3 1/4" x 10" (8.3 cm x 25.4 cm) system = 22.5 ft (6.8 m)

### Install Vent System

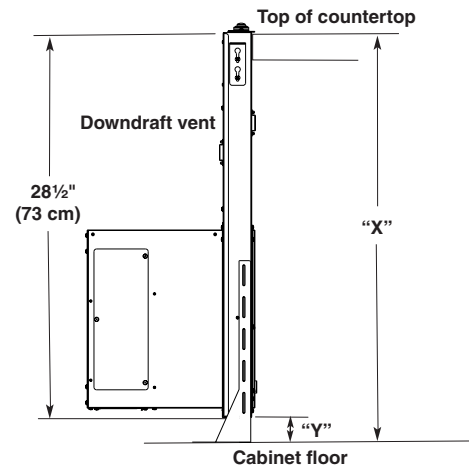
**⚠ WARNING**

**Excessive Weight Hazard**

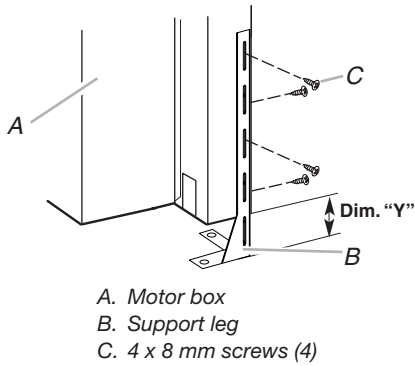
**Use two or more people to move and install  
downdraft vent.**

**Failure to do so can result in back or other injury.**

1. Place cardboard or similar material on top of a flat surface where you can easily assemble the downdraft vent system.
2. Remove parts packages, downdraft vent, and blower box from the carton.
3. Remove all shipping materials, tape, and film from the downdraft vent and blower box.
4. Measure distance "X" from the cabinet floor to the top of the countertop. Subtract 28 1/2" (72.4 cm) from distance "X" to determine dimension "Y" ( $X - 28\frac{1}{2} = Y$ ).



- Attach the support legs to the side of the vent box with 4 - 4 x 8 mm screws in each support leg. Adjust to dimension "Y" from the bottom of the vent box to the bottom of the support legs. Tighten screws.



### Determine Which Vent Direction Is Best for Your Installation

When installed in a cabinet, vent system can exhaust through the bottom, left, or right of the cabinet.

**IMPORTANT:** When using the 6" (15.2 cm) vent transition (supplied) for 6" round venting, only left or right venting is recommended.

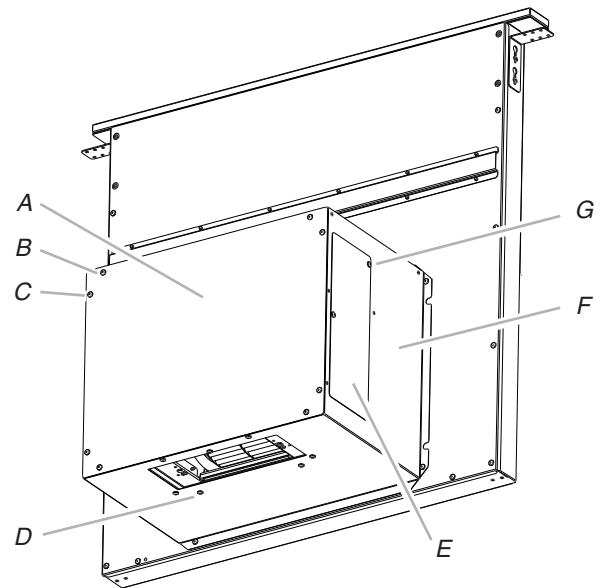
#### Bottom Venting:

**NOTE:** If installing the vent damper in the down position, a wall or roof cap with a damper at the exit end of the vent system is required.

- Downdraft vent is shipped with blower in down-venting position, so no modification is required.
- If rear mounting of the blower motor is not required, go to the "Complete Installation" section.
- To mount the blower motor to the rear side of the vent box, go to the "Rear Mounting — Blower Motor" section.

#### Left or Right Venting:

- Using 2 or more people, place the downdraft vent system on its back.
- Remove the 4 screws from the cover plate mounted to the face of the motor box and set them aside.



- A. Cover plate  
B. Cover plate screws (4)  
C. Cover plate keyhole slot shoulder screws (4)  
D. Motor mounting screws (4)  
E. Vent cover plate  
F. Motor box  
G. Vent cover screws (3)

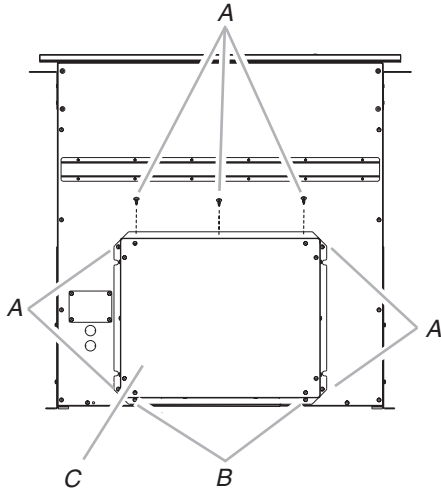
- Slide the cover plate up and slip it over the keyhole slot shoulder screws. Set the cover aside.
- Remove 4 screws from the bottom of the motor box that hold the motor assembly to the motor box.  
**NOTE:** Disconnect the electrical wiring connection from motor if needed.
- Remove 3 screws and the vent cover plate from the left or right side of the motor box for the venting direction to be used.
- Rotate the blower motor assembly 90° to the left or right side to the chosen venting direction and secure to the blower box with motor mounting screws previously removed. Do not twist or bind the wires.
- Install the vent cover plate over the rectangular opening in the bottom of the motor box and secure with vent cover screws.  
**NOTE:** Reinstall the electrical wiring connection to motor if removed.
- Reinstall the cover plate to the face of the motor box and secure with 4 cover plate screws previously removed.
- For mounting the blower motor to the back of the vent box, go to the "Rear Mounting — Blower Motor" section. Otherwise, go to the "Complete Installation" section.

## Rear Mounting — Blower Motor

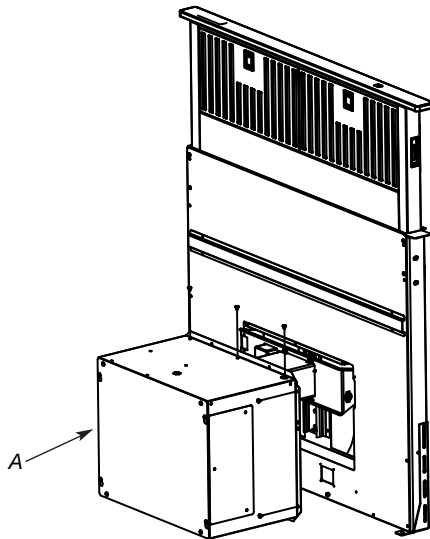
**NOTE:** Optional blower motor rear-mounting position (opposite side) for island cabinet location. The blower motor box assembly can be moved to the opposite side (rear) of the vent box.

1. Remove 7 screws from the mounting flanges of the blower motor box.

### Front View



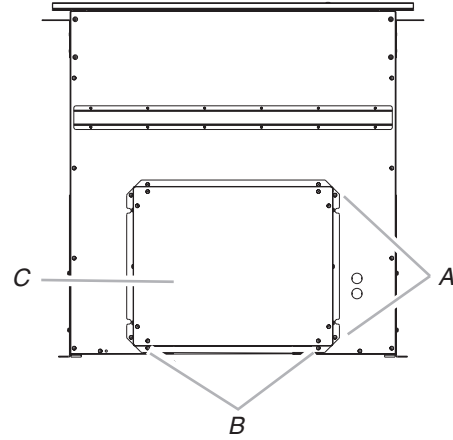
- A. Screws (7)
- B. Keyhole slot shoulder screws (2)
- C. Blower motor box



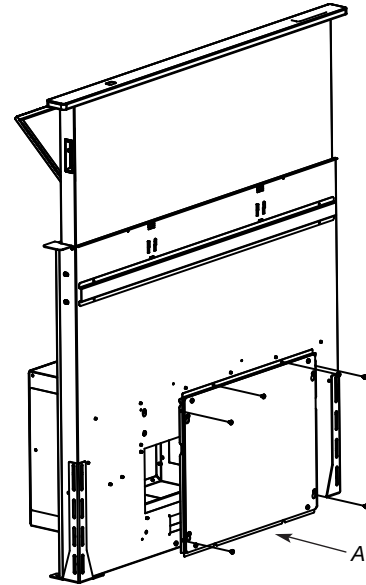
A. Blower motor box

2. Lift blower motor box off the shoulder screws in the keyhole slots. Disconnect wire connection from blower motor and set blower motor box aside.
3. Remove 6 screws from the mounting flange of the 1/4" (6.4 mm) deep cover.

### Rear View

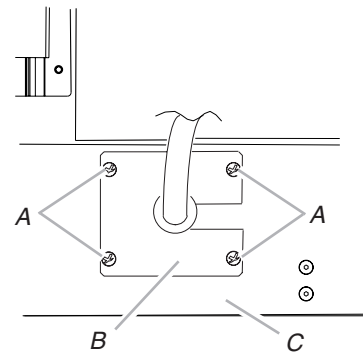


- A. Screws (6)
- B. Keyhole slot shoulder screws (2)
- C. 1/4" (6.4 mm) deep cover



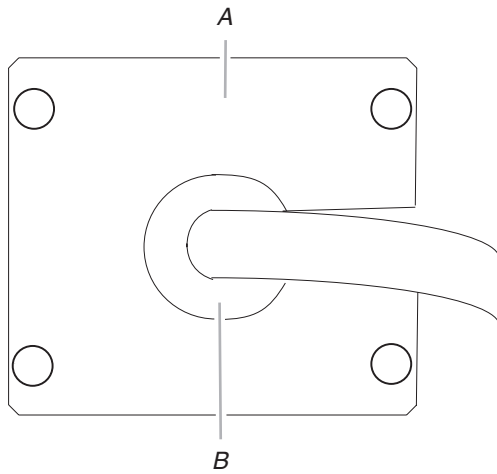
A. Deep cover

4. Lift the 1/4" (6.4 mm) deep cover off the shoulder screws in the keyhole slots and set the cover aside.
5. Remove the screws from the wire-mounting plate.



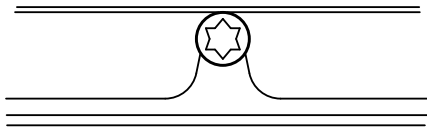
- A. Screws
- B. Wire-mounting plate
- C. Blower motor box

6. Hold the wire-mounting plate and push the grommet out of the wire-mounting plate.



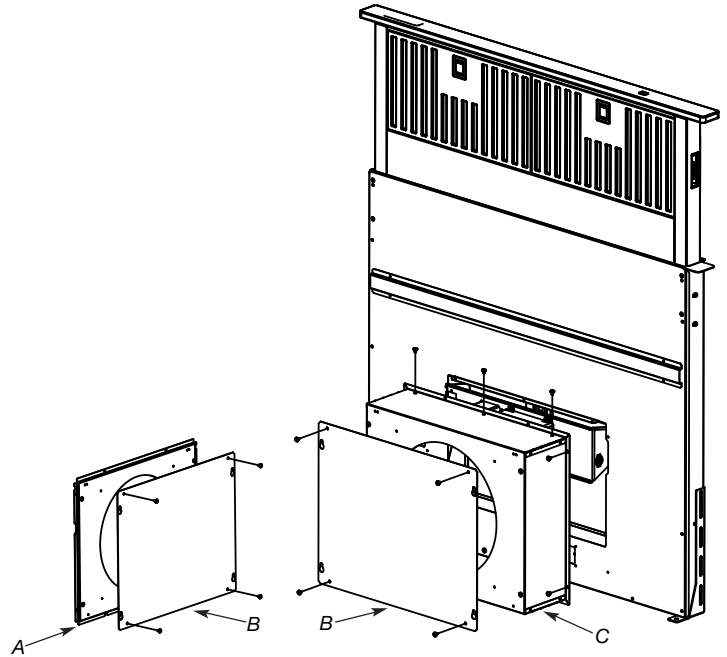
A. Wire-mounting plate  
B. Grommet

7. Slide the wire assembly through the slot in the wire-mounting plate to remove it.  
8. Place the wire assembly through the opening to the opposite side of the vent box.  
9. Reassemble the wire assembly and grommet to the wire-mounting plate.  
10. Install the wire-mounting plate to the vent box using the 4 screws previously removed.  
11. Place the blower motor box assembly with the keyhole slots over the 2 shoulder screws on the rear of the vent box and reconnect the wire connection to the blower motor.  
12. Mount the blower motor box to the vent box and secure using the 6 screws previously removed.



13. Mount the 4<sup>3</sup>/<sub>4</sub>" (12.0 cm) cover box (supplied) to the front of the vent box. Place the keyhole slots over the 2 shoulder screws, align the mounting holes, and secure the cover box to vent box using the 6 screws previously removed from the 1/4" (6.4 mm) deep cover.

14. Remove the front cover from the deep cover, place the front cover over the previously mounted cover box, and secure using the 4 screws previously removed.



A. Deep cover  
B. Front cover  
C. Cover box (supplied)

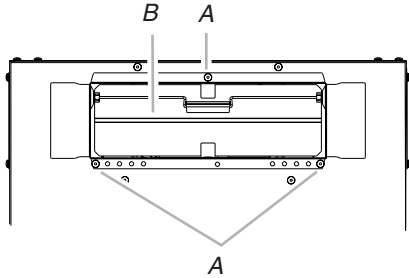
15. Go to the "Complete Installation" section.

## Complete Installation

**NOTE:** The downdraft vent system is supplied with a 3<sup>1</sup>/<sub>4</sub>" x 10" (8.3 cm x 25.4 cm) backdraft damper and a 6" (15.2 cm) round vent transition with damper. Refer to "3<sup>1</sup>/<sub>4</sub>" x 10" (8.3 cm x 25.4 cm) Backdraft Damper" or "6" (15.2 cm) Round Vent Transition with Damper," depending upon the type of venting you are using.

### 3<sup>1</sup>/<sub>4</sub>" x 10" (8.3 cm x 25.4 cm) Backdraft Damper

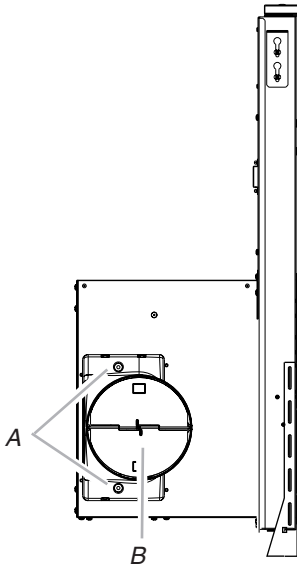
1. Attach the 3<sup>1</sup>/<sub>4</sub>" x 10" (8.3 cm x 25.4 cm) backdraft damper to the vent opening in the blower motor box, using three 3.5 x 9.5 mm screws.



- A. 3.5 x 9.5 mm screws
- B. 3<sup>1</sup>/<sub>4</sub>" x 10" (8.3 cm x 25.4 cm) backdraft damper

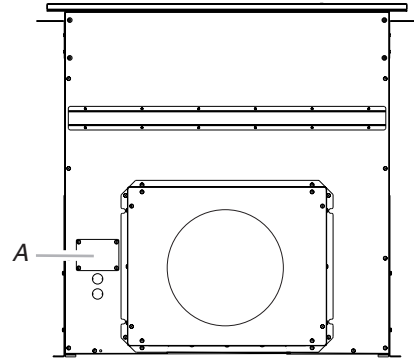
### 6" (15.2 cm) Round Vent Transition with Damper

1. Attach the 6" (15.2 cm) round vent transition to vent opening (left- or right-side venting only is recommended), using two 3.5 x 9.5 mm screws.



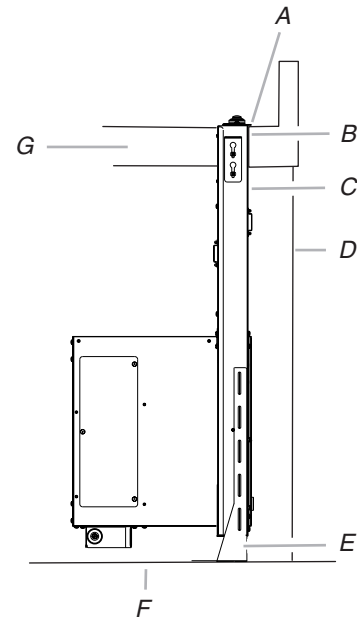
- A. 3.5 x 9.5 mm screws
- B. 6" (15.2 cm) round vent transition with damper

2. Remove 4 screws attaching the terminal box cover.



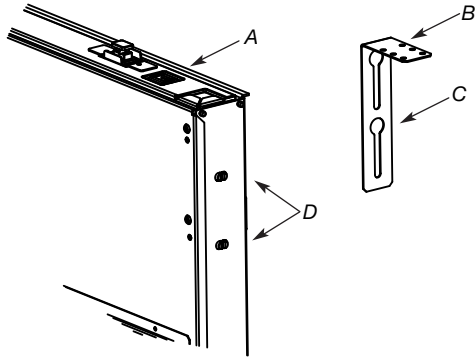
A. Terminal box cover

3. Determine which direction (front or rear) the home power supply cable will enter the terminal box. Remove the appropriate knockout from the front or rear panel and install a 1/2" (12.7 mm) UL listed or CSA approved conduit connector.
4. Using 2 or more people, insert the downdraft vent into the countertop cutout. Position downdraft vent so it is centered in the cutout with the rear flange over the edge of the cutout and the rear of the vent box against the edge of the cutout.



- A. Rear flange of downdraft vent
- B. Edge of cutout in countertop
- C. Rear of downdraft vent
- D. Cabinet back
- E. Lower support leg
- F. Cabinet floor
- G. Countertop

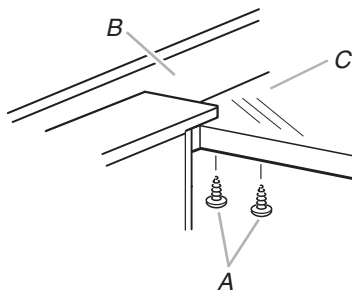
5. Install the left and right undercounter mounting brackets to the vent box. Slide the keyhole slots over the guide tabs and push the brackets up to set them in place.



A. Vent box  
 B. Undercounter mounting bracket  
 C. Keyhole slots  
 D. Guide tabs

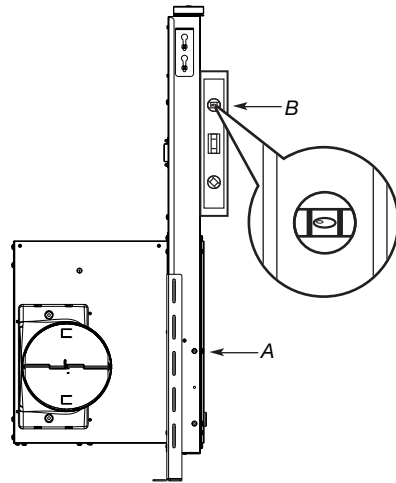
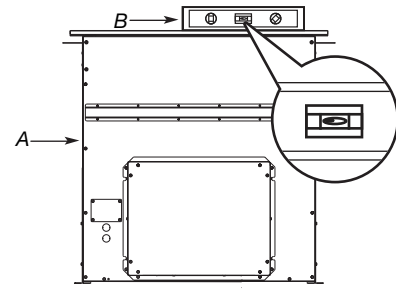
6. Drill 2 pilot holes through each of the undercounter mounting brackets into the underside of the countertop. Using 2 screws (not provided) of the appropriate length, mount the brackets to the countertop.

**IMPORTANT:** Select a screw length that will not allow the screws to go through the countertop when tightened.



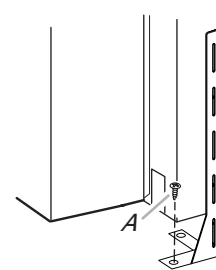
A. Screws  
 B. Backsplash  
 C. Countertop

7. Check that the downdraft vent is level as shown below. Loosen the lower support leg screws and position the legs against the cabinet floor.



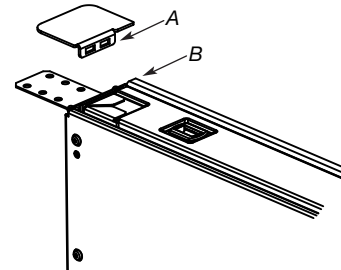
A. Downdraft  
 B. Level

8. Fasten the lower support legs to the cabinet floor with screws (not provided).



A. Screw (not provided)

9. Tighten the lower support legs screws.
10. Attach the left and right end caps to the vent box. Place the tab into the mounting slot at each end of the downdraft vent, as shown, and push down to lock into place.



A. End cap tab  
 B. Mounting slot

## Make Electrical Connections

### **⚠ WARNING**



#### Electrical Shock Hazard

**Disconnect power before servicing.**  
**Replace all parts and panels before operating.**  
**Failure to do so can result in death or electrical shock.**

1. Disconnect power.
2. Feed the power supply cable through the conduit connector and into the terminal box.

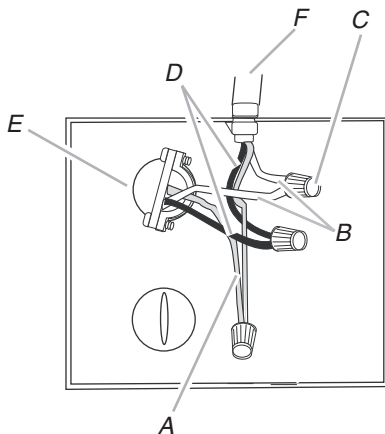
### **⚠ WARNING**



#### Electrical Shock Hazard

**Electrically ground blower.**  
**Connect ground wire to green and yellow ground wire in terminal box.**  
**Failure to do so can result in death or electrical shock.**

3. Connect the green (or green/yellow) ground wire to the green or yellow/green ground wire using UL listed wire connectors. Tighten the screw on the conduit connector.
4. Connect the 2 white wires together using UL listed wire connectors.



- |  |  |
|--|--|
| A. Green or green and yellow ground wire | D. Black wires                                 |
| B. White wires                           | E. UL listed or CSA approved conduit connector |
| C. UL listed wire connectors             | F. Downdraft vent wiring                       |

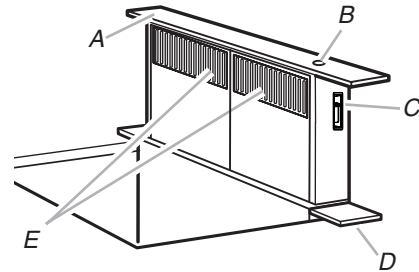
5. Connect the 2 black wires together using UL listed wire connectors.
6. Replace the terminal box cover and secure with screw.
7. Reconnect power.

## Check Operation

1. Push and hold the button on the top of the downdraft vent for a few seconds. The retractable section of the downdraft vent will rise and the blower will be able to start using the control slider. Remove any protective film and use a stainless steel cleaner to clean any remaining grease. Position the top trim over the retractable section and snap trim into place.

Trim kits for matching your cooktop color are available from your dealer.

For information on ordering, see the “Assistance or Service” section.



- |                          |            |
|--------------------------|------------|
| A. Top trim              | D. End cap |
| B. On/Off button         | E. Filters |
| C. Blower control slider |            |

2. Slide the control slider on the side of vent to check the operation and speed of the blower.
3. If the blower does not operate:
  - Check that filter or filters are pressed in as far as they will go.
  - Check that the circuit breaker has not tripped or a household fuse blown.
4. Connect vent system to blower. Vent system must end with a wall or roof cap. Use clamps or duct tape to seal all joints.
5. Install cooktop according to manufacturer’s instructions. Check that rear of cooktop overlaps edge of retractable downdraft vent by  $\frac{3}{8}$ " (9.5 mm). See “Countertop Cutout Dimensions” in the “Location Requirements” section.

**NOTE:** To get the most-efficient use from your new retractable downdraft vent, read the “Vent System Use” section.



---

# VENT SYSTEM USE

---

The retractable downdraft vent system is designed to remove smoke, cooking vapors, and odors from the cooktop area.

- For best results, the vent should be operating before cooking is started.
- If you use large or tall utensils, place them on the large rear element or burner surface.
- A higher heat setting than normally used may be needed when the downdraft vent is operating.
- For gas cooktops, the downdraft vent system may affect the flame stability and cooking performance. To improve the burner performance, either decrease the downdraft vent blower speed or increase the cooktop burner flame setting.
- For gas cooktops with flame-sensing ignitions, the downdraft vent system may disperse the flame away from the spark igniter and may cause it to continually spark while trying to reignite a burner that is already lit. To resolve the issue of the cooktop igniter continuously sparking, either decrease the downdraft vent blower speed or increase the cooktop flame setting for that burner.

## Operating Downdraft Vent

### To Use:

1. Push and hold the button on top of downdraft vent for a few seconds. (This slight delay helps avoid unintentional raising of the vent during cleaning of the cooktop area.) Retractable section of downdraft vent will rise. Blower will begin to vent immediately if blower control knob slider is set to an On position.
2. Slide the control slider on the right-hand side of the downdraft vent to adjust the blower motor speed.

### When Cooking Is Complete:

1. Push the button on top of the retractable downdraft vent. The blower will turn off and the retractable section of the vent will return to the closed position.

**NOTE:** If a spill occurs on the cooktop that allows liquids to seep inside the downdraft vent, you must turn the downdraft vent off immediately. It is possible to cause damage to the downdraft vent if water is allowed inside the downdraft vent while it is operating.

2. Immediately turn off the downdraft vent at the speed control located on the right-hand side of the downdraft vent.
3. Turn off the power supply to the downdraft vent at the circuit breaker box or fuse box.
4. Allow plenty of time for the downdraft vent to dry naturally. Do not open the downdraft vent to remove the water.

---

# VENT SYSTEM CARE

---

## Surface of Downdraft Vent

To avoid damaging the finish, clean downdraft vent with soap and water. Do not use scouring powder or abrasive solutions.

### Exterior Surfaces:

To avoid damage to the exterior surface, do not use steel wool or soap-filled scouring pads.

Always wipe dry to avoid water marks.

### Cleaning Method:

- Liquid detergent soap and water or all-purpose cleanser.
- Wipe with damp soft cloth or nonabrasive sponge, and then rinse with clean water and wipe dry.

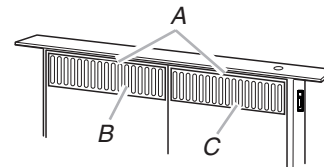
**NOTE:** To avoid damage, do not soak cloth or sponge.

### To Clean:

1. Remove the filter(s) and clean them in a dishwasher or in a hot detergent solution. The downdraft vent will not operate when the filters are not in place.
2. Dry the clean filter(s) and reinstall, making sure that they lock into place.

### If Retractable Downdraft Vent Does Not Operate After Clean Filters Have Been Installed:

Push the filter in as far as it will go. When the filter is removed, the microswitch behind the filter is deactivated. This feature will not allow the vent system to operate until the filter is properly installed.



- A. Spring-release handles
- B. Left metal filter
- C. Right metal filter

## Filters

Frequently remove and clean the filter(s) in the retractable section of the downdraft vent. This will improve the operating efficiency of the downdraft vent system.

### To Replace:

1. Remove each filter by pulling the spring release handle and then pulling down the filter.
2. Wash metal filters as needed in dishwasher or hot detergent solution.
3. Reinstall the filter by making sure the spring release handles are toward the front. Insert metal grease filter into upper track.
4. Pull the spring release handle down.
5. Push up on metal filter and release handle to latch into place.
6. Repeat steps 1 through 5 for the other filter.

# TROUBLESHOOTING

First try the solutions suggested here. If you need further assistance or more recommendations that may help you avoid a service call, refer to the warranty page in this manual and scan the code there with your mobile device or visit <https://jennair.custhelp.com>.

In Canada, visit <http://www.jennair.ca>.

Contact us by mail with any questions or concerns at the address below:

In the U.S.A.:

Jenn-Air Brand Home Appliances  
Customer eXperience Center  
553 Benson Road  
Benton Harbor, MI 49022-2692

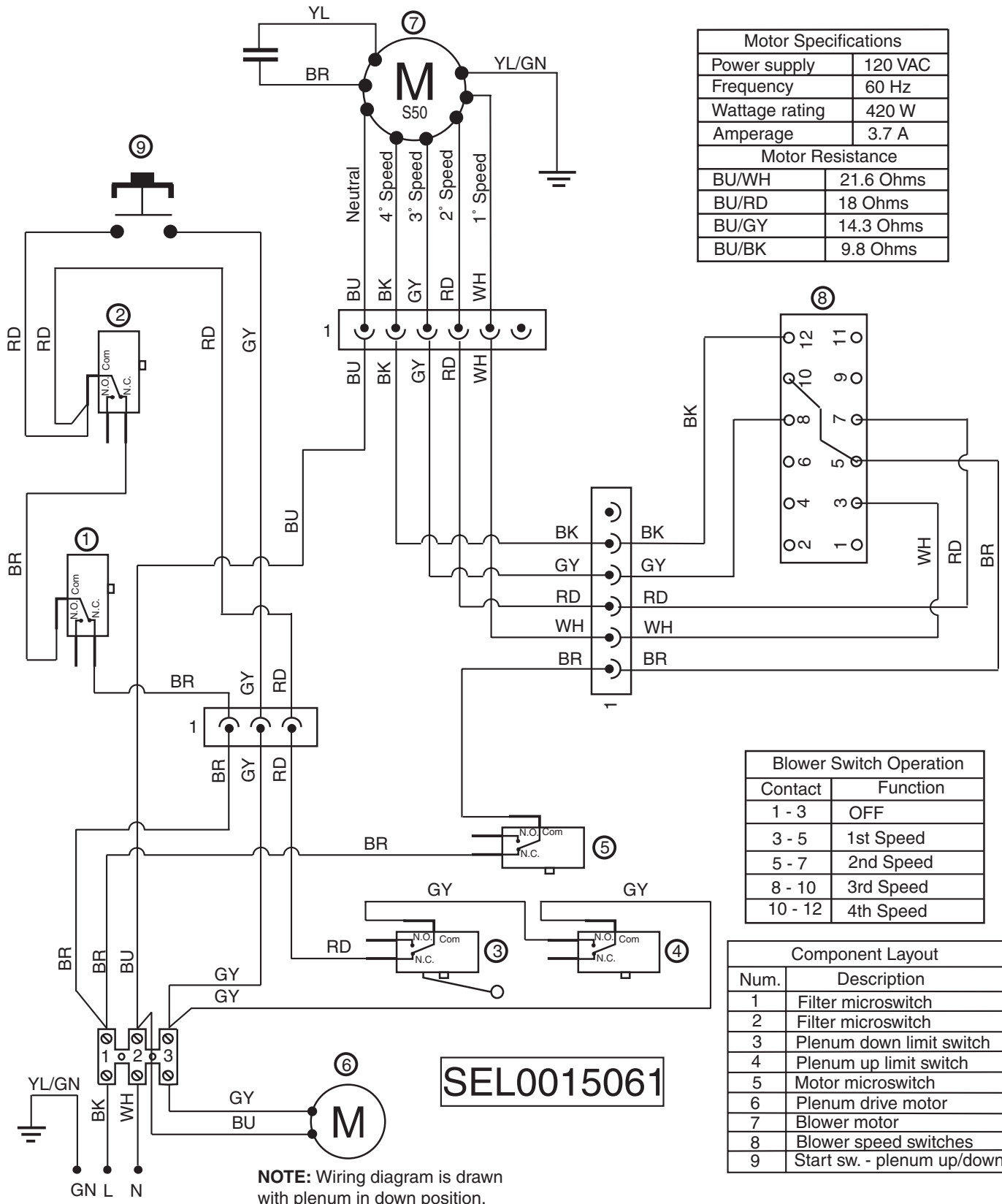
In Canada:

Jenn-Air Brand Home Appliances  
Customer eXperience Centre  
200 - 6750 Century Ave.  
Mississauga, Ontario L5N 0B7

Please include a daytime phone number in your correspondence.

PROBLEM	POSSIBLE CAUSES AND/OR SOLUTIONS
Nothing will operate	<p><b>Has a household fuse been blown or has a circuit breaker tripped?</b> Replace the fuse or reset the circuit breaker. If the problem continues, call an electrician.</p> <p><b>Are the filters not seating in the plenum?</b> Make sure the filters are fully depressing the filter switches.</p> <p><b>Has the Start button been pressed for at least 3 seconds?</b> Push and hold the button on the top of the downdraft vent for at least 3 seconds to complete the cycle needed to start retracting.</p>
Vent does not retract	<p><b>Are the filters in place on downdraft vent?</b> When the filters are removed, the microswitch behind the filter is deactivated. This feature will not allow the vent system to operate until the filter is properly installed.</p> <p><b>Are the filters installed correctly?</b> Push the filter in as far as it will go to activate the microswitch behind the filter.</p> <p><b>Has the Start button been pressed for at least 3 seconds?</b> Push and hold the button on the top of the downdraft vent for at least 3 seconds to complete the cycle needed to start retracting.</p> <p><b>Is the downdraft correctly secured?</b> Make sure that the vent hood is level and upright. Check it is securely fastened to the floor and the counter top.</p>
Vent partially raises	<p><b>Has an obstruction been interfering with the vent movement?</b> Ensure the cooktop is not interfering with the downdraft vent movement.</p> <p><b>Is the vent level?</b> Level the vent. See the “Install Vent System” section.</p>
Blower does not operate	<p><b>Is the vent fully raised?</b> Check that the vent is totally in the up position.</p> <p><b>Are the filters installed correctly?</b> Push the filter in as far as it will go to activate the switch behind the filter.</p> <p><b>Has the control slider been moved from the Off position?</b> Slide the control slider on the right-hand side of the downdraft vent to adjust the blower motor speed.</p> <p><b>Is the blower installed correctly?</b> See the “Rear Mounting – Blower Motor” section.</p>
Downdraft not level on countertop	<p><b>Is the vent level?</b> Level the vent. See the “Install Vent System” section.</p> <p><b>Is the vent rising more in one side?</b> Make sure both of the support legs have the same height from the bottom of the vent box to the bottom of the support legs. See the “Install Vent System” section.</p>
Vent making noises	<p><b>Was the vent recently installed and making grinding noises?</b> Use stainless steel cleaner to remove any residue left by the white protective film. Ensure nothing is blocking path of vent.</p> <p><b>Is there noise due to moving air?</b> Ensure the installation of the product is fully into the cutout and no gap in the middle of it.</p>

# WIRING DIAGRAM



**NOTE:** Wiring diagram is drawn with plenum in down position.

Motor Specifications	
Power supply	120 VAC
Frequency	60 Hz
Wattage rating	420 W
Amperage	3.7 A
Motor Resistance	
BU/WH	21.6 Ohms
BU/RD	18 Ohms
BU/GY	14.3 Ohms
BU/BK	9.8 Ohms

Blower Switch Operation	
Contact	Function
1 - 3	OFF
3 - 5	1st Speed
5 - 7	2nd Speed
8 - 10	3rd Speed
10 - 12	4th Speed

Component Layout	
Num.	Description
1	Filter microswitch
2	Filter microswitch
3	Plenum down limit switch
4	Plenum up limit switch
5	Motor microswitch
6	Plenum drive motor
7	Blower motor
8	Blower speed switches
9	Start sw. - plenum up/down

SEL0015061

---

# ASSISTANCE OR SERVICE

---

## If you need service

Please refer to the warranty page in this manual.

## If you need replacement parts

If you need to order replacement parts, we recommend that you use only factory specified parts. Factory specified parts will fit right and work right because they are made with the same precision used to build every new appliance.

To locate factory specified replacement parts in your area, call the following customer assistance telephone number or your nearest designated service center.

---

## In the U.S.A.

Call Jenn-Air Customer eXperience Center toll-free: **1-800-JENNAIR (1-800-536-6247)** or visit our website at **www.jennair.com**.

### Our consultants provide assistance with:

- Scheduling of service. Jenn-Air® appliances designated service technicians are trained to fulfill the product warranty and provide after-warranty service anywhere in the United States.
- Features and specifications on our full line of appliances.
- Referrals to local Jenn-Air® appliance dealers.
- Installation information.
- Use and maintenance procedures.
- Accessory and repair parts sales.
- Specialized customer assistance (Spanish-speaking, hearing-impaired, limited vision, etc.).

### For further assistance

If you need further assistance, you can write to Jenn-Air® Appliances with any questions or concerns at:

Jenn-Air Brand Home Appliances  
Customer eXperience Center  
553 Benson Road  
Benton Harbor, MI 49022-2692

Please include a daytime phone number in your correspondence.

---

## In Canada

Call the Whirlpool Canada LP Customer eXperience Centre toll-free at **1-800-JENNAIR (1-800-536-6247)** or visit our website at **www.jennair.ca**.

### Our consultants provide assistance with:

- Scheduling of service. Jenn-Air® appliances designated service technicians are trained to fulfill the product warranty and provide after-warranty service anywhere in Canada.
- Features and specifications on our full line of appliances.
- Referrals to local Jenn-Air® appliance dealers.
- Installation information.
- Use and maintenance procedures.
- Accessory and repair parts sales.

### For further assistance

If you need further assistance, you can write to Jenn-Air® Appliances with any questions or concerns at:

Jenn-Air Brand Home Appliances  
Customer eXperience Centre  
200 - 6750 Century Ave.  
Mississauga, Ontario L5N 0B7

Please include a daytime phone number in your correspondence.

---

## Accessories

**NOTE:** Instructions are included with each kit.

### For model series JXD7030Y

#### 30" (76.2 cm) one-piece top trim

Order Part Number W10387676 (black)

### For model series JXD7036Y

#### 36" (91.4 cm) one-piece top trim

Order Part Number W10387677 (black)

# JENN-AIR® MAJOR APPLIANCE LIMITED WARRANTY

ATTACH YOUR RECEIPT HERE. PROOF OF PURCHASE IS REQUIRED TO OBTAIN WARRANTY SERVICE.

Please have the following information available when you call the Customer eXperience Center:

- Name, address and telephone number
- Model number and serial number
- A clear, detailed description of the problem
- Proof of purchase including dealer or retailer name and address

## IF YOU NEED SERVICE:

1. Before contacting us to arrange service, please determine whether your product requires repair. Some questions can be addressed without service. Please take a few minutes to review the Troubleshooting or Problem Solver section of the Use and Care Guide, scan the QR code on the right to access additional resources, or visit <https://jennair.custhelp.com>.
2. All warranty service is provided exclusively by our authorized Jenn-Air Service Providers. In the U.S. and Canada, direct all requests for warranty service to:

**Jenn-Air Customer eXperience Center**  
**1-800-JENNAIR (1-800-536-6247).**



<https://jennair.custhelp.com>

If outside the 50 United States or Canada, contact your authorized Jenn-Air dealer to determine whether another warranty applies.

## TWO YEAR LIMITED WARRANTY

### WHAT IS COVERED

For two years from the date of purchase, when this major appliance is installed, operated and maintained according to instructions attached to or furnished with the product, Jenn-Air brand of Whirlpool Corporation or Whirlpool Canada LP (hereafter "Jenn-Air") will pay for Factory Specified Replacement Parts and repair labor to correct defects in materials or workmanship that existed when this major appliance was purchased, or at its sole discretion replace the product. In the event of product replacement, your appliance will be warranted for the remaining term of the original unit's warranty period.

**YOUR SOLE AND EXCLUSIVE REMEDY UNDER THIS LIMITED WARRANTY SHALL BE PRODUCT REPAIR AS PROVIDED HEREIN.** Service must be provided by a Jenn-Air designated service company. This limited warranty is valid only in the United States or Canada and applies only when the major appliance is used in the country in which it was purchased. This limited warranty is effective from the date of original consumer purchase. Proof of original purchase date is required to obtain service under this limited warranty.

### WHAT IS NOT COVERED

1. Commercial, non-residential, multiple-family use, or use inconsistent with published user, operator or installation instructions.
2. In-home instruction on how to use your product.
3. Service to correct improper product maintenance or installation, installation not in accordance with electrical or plumbing codes or correction of household electrical or plumbing (i.e. house wiring, fuses or water inlet hoses).
4. Consumable parts (i.e. light bulbs, batteries, air or water filters, preservation solutions, etc.).
5. Defects or damage caused by the use of non-genuine Jenn-Air parts or accessories.
6. Conversion of products from natural gas or L.P. gas.
7. Damage from accident, misuse, abuse, fire, floods, acts of God or use with products not approved by Jenn-Air.
8. Repairs to parts or systems to correct product damage or defects caused by unauthorized service, alteration or modification of the appliance.
9. Cosmetic damage including scratches, dents, chips, and other damage to the appliance finishes unless such damage results from defects in materials and workmanship and is reported to Jenn-Air within 30 days.
10. Discoloration, rust or oxidation of surfaces resulting from caustic or corrosive environments including but not limited to high salt concentrations, high moisture or humidity or exposure to chemicals.
11. Food or medicine loss due to product failure.
12. Pick-up or delivery. This product is intended for in-home repair.
13. Travel or transportation expenses for service in remote locations where an authorized Jenn-Air servicer is not available.
14. Removal or reinstallation of inaccessible appliances or built-in fixtures (i.e. trim, decorative panels, flooring, cabinetry, islands, countertops, drywall, etc.) that interfere with servicing, removal or replacement of the product.
15. Service or parts for appliances with original model/serial numbers removed, altered or not easily determined.

**The cost of repair or replacement under these excluded circumstances shall be borne by the customer.**

### DISCLAIMER OF IMPLIED WARRANTIES

IMPLIED WARRANTIES, INCLUDING ANY IMPLIED WARRANTY OF MERCHANTABILITY OR IMPLIED WARRANTY OF FITNESS FOR A PARTICULAR PURPOSE, ARE LIMITED TO ONE YEAR OR THE SHORTEST PERIOD ALLOWED BY LAW. Some states and provinces do not allow limitations on the duration of implied warranties of merchantability or fitness, so this limitation may not apply to you. This warranty gives you specific legal rights, and you also may have other rights that vary from state to state or province to province.

### DISCLAIMER OF REPRESENTATIONS OUTSIDE OF WARRANTY

Jenn-Air makes no representations about the quality, durability, or need for service or repair of this major appliance other than the representations contained in this warranty. If you want a longer or more comprehensive warranty than the limited warranty that comes with this major appliance, you should ask Jenn-Air or your retailer about buying an extended warranty.

### LIMITATION OF REMEDIES; EXCLUSION OF INCIDENTAL AND CONSEQUENTIAL DAMAGES

YOUR SOLE AND EXCLUSIVE REMEDY UNDER THIS LIMITED WARRANTY SHALL BE PRODUCT REPAIR AS PROVIDED HEREIN. JENN-AIR SHALL NOT BE LIABLE FOR INCIDENTAL OR CONSEQUENTIAL DAMAGES. Some states and provinces do not allow the exclusion or limitation of incidental or consequential damages, so these limitations and exclusions may not apply to you. This warranty gives you specific legal rights, and you also may have other rights that vary from state to state or province to province.

# SÉCURITÉ DU SYSTÈME DE VENTILATION

## **Votre sécurité et celle des autres est très importante.**

Nous donnons de nombreux messages de sécurité importants dans ce manuel et sur votre appareil ménager. Assurez-vous de toujours lire tous les messages de sécurité et de vous y conformer.



Voici le symbole d'alerte de sécurité.

Ce symbole d'alerte de sécurité vous signale les dangers potentiels de décès et de blessures graves à vous et à d'autres.

Tous les messages de sécurité suivront le symbole d'alerte de sécurité et le mot "DANGER" ou "AVERTISSEMENT". Ces mots signifient :

**! DANGER**

**Risque possible de décès ou de blessure grave si vous ne suivez pas immédiatement les instructions.**

**! AVERTISSEMENT**

**Risque possible de décès ou de blessure grave si vous ne suivez pas les instructions.**

Tous les messages de sécurité vous diront quel est le danger potentiel et vous disent comment réduire le risque de blessure et ce qui peut se produire en cas de non-respect des instructions.

Avertissements de la proposition 65 de l'État de Californie :

**AVERTISSEMENT** : Ce produit contient au moins un produit chimique connu par l'État de Californie pour être à l'origine de cancers.

**AVERTISSEMENT** : Ce produit contient au moins un produit chimique connu par l'État de Californie pour être à l'origine de malformations et autres déficiences de naissance.

# IMPORTANTES INSTRUCTIONS DE SÉCURITÉ

**AVERTISSEMENT** : POUR RÉDUIRE LE RISQUE D'INCENDIE, CHOC ÉLECTRIQUE OU DOMMAGES CORPORELS, RESPECTER LES INSTRUCTIONS SUIVANTES :

- Utiliser cet appareil uniquement dans les applications envisagées par le fabricant. Pour toute question, contacter le fabricant.
- Avant d'entreprendre un travail d'entretien ou de nettoyage, interrompre l'alimentation de la hotte au niveau du tableau de disjoncteurs, et verrouiller le tableau de disjoncteurs pour empêcher tout rétablissement accidentel de l'alimentation du circuit. Lorsqu'il n'est pas possible de verrouiller le tableau de disjoncteurs, placer sur le tableau de disjoncteurs une étiquette d'avertissement proéminente interdisant le rétablissement de l'alimentation.
- Tout travail d'installation ou câblage électrique doit être réalisé par une personne qualifiée, dans le respect des prescriptions de tous les codes et normes applicables, y compris les codes du bâtiment et de protection contre les incendies.
- Ne pas faire fonctionner un ventilateur dont le cordon ou la fiche est endommagé(e). Jeter le ventilateur ou le retourner à un centre de service agréé pour examen et/ou réparation.
- Une source d'air de débit suffisant est nécessaire pour le fonctionnement correct de tout appareil à gaz (combustion et évacuation des gaz à combustion par la cheminée), pour qu'il n'y ait pas de reflux des gaz de combustion. Respecter les directives du fabricant de l'équipement de chauffage et les prescriptions des normes de sécurité - comme celles publiées par la National Fire Protection Association (NFPA) et l'American Society for Heating, Refrigeration and Air Conditioning Engineers (ASHRAE), et les prescriptions des autorités réglementaires locales.
- Lors des opérations de découpage et de perçage dans un mur ou un plafond, ne pas endommager les câblages électriques et les canalisations qui peuvent s'y trouver.
- Les ventilateurs d'évacuation doivent toujours décharger l'air à l'extérieur.

**MISE EN GARDE** : Cet appareil est conçu uniquement pour la ventilation générale. Ne pas l'utiliser pour l'extraction de matières ou vapeurs dangereuses ou explosives.

**MISE EN GARDE** : Pour minimiser le risque d'incendie et évacuer adéquatement les gaz, veiller à acheminer l'air aspiré par un conduit jusqu'à l'extérieur - ne pas décharger l'air aspiré dans un espace vide du bâtiment comme une cavité murale, un plafond, un grenier, un vide sanitaire ou un garage.

**AVERTISSEMENT** : POUR RÉDUIRE LE RISQUE D'INCENDIE, UTILISER UNIQUEMENT DES CONDUITS MÉTALLIQUES.

**AVERTISSEMENT** : POUR MINIMISER LE RISQUE D'UN FEU DE GRAISSE SUR LA CUISINIÈRE :

- Ne jamais laisser un élément de surface fonctionner à puissance de chauffage maximale sans surveillance. Un renversement/débordement de matière grasseuse pourrait provoquer une inflammation et la génération de fumée. Utiliser une puissance de chauffage moyenne ou basse pour le chauffage d'huile.
- Veiller à toujours faire fonctionner le ventilateur de la hotte lors de la cuisson avec une puissance de chauffage élevée ou lors de la cuisson d'un mets à flamber (à savoir crêpes Suzette, cerise jubilee, steak au poivre flambé).
- Nettoyer fréquemment les ventilateurs d'extraction. Veiller à ne pas laisser la graisse s'accumuler sur les surfaces du ventilateur ou des filtres.
- Utiliser toujours un ustensile de taille appropriée. Utiliser toujours un ustensile adapté à la taille de l'élément chauffant.

**AVERTISSEMENT** : POUR RÉDUIRE LE RISQUE DE DOMMAGES CORPORELS APRÈS LE DÉCLENCHEMENT D'UN FEU DE GRAISSE SUR LA CUISINIÈRE, APPLIQUER LES RECOMMANDATIONS SUIVANTES :<sup>a</sup>

- Placer sur le récipient un couvercle bien ajusté, une tôle à biscuits ou un plateau métallique POUR ÉTOUFFER LES FLAMMES, puis éteindre le brûleur. VEILLER À ÉVITER LES BRÛLURES. Si les flammes ne s'éteignent pas immédiatement, ÉVACUER LA PIÈCE ET APPELER LES POMPIERS.
- NE JAMAIS PRENDRE EN MAIN UN RÉCIPENT ENFLAMMÉ - vous risquez de vous brûler.
- NE PAS UTILISER D'EAU, ni un torchon humide - ceci pourrait provoquer une explosion de vapeur brûlante.
- Utiliser un extincteur SEULEMENT si :
  - Il s'agit d'un extincteur de classe ABC, dont on connaît le fonctionnement.
  - Il s'agit d'un petit feu encore limité à l'endroit où il s'est déclaré.
  - Les pompiers ont été contactés.
  - Il est possible de garder le dos orienté vers une sortie pendant l'opération de lutte contre le feu.

<sup>a</sup>Recommandations tirées des conseils de sécurité en cas d'incendie de cuisine publiés par la NFPA.

- **AVERTISSEMENT** : Pour réduire le risque d'incendie ou de choc électrique, ne pas utiliser ce ventilateur avec un quelconque dispositif de réglage de la vitesse à semi-conducteurs.

## LIRE ET CONSERVER CES INSTRUCTIONS

# EXIGENCES D'INSTALLATION

## Outils et pièces

Rassembler les outils et pièces nécessaires avant d'entreprendre l'installation. Lire et observer les instructions fournies avec chacun des outils de la liste ci-dessous.

### Outillage nécessaire

- Scie sauteuse ou scie à guichet
- Perceuse
- Foret de 1/8" (3 mm) pour avant-trous
- Crayon
- Mètre-ruban ou règle
- Tournevis à lame plate
- Tournevis Phillips
- Tourne-écrou de 3/8" (9,5 mm)
- Niveau
- Pince
- Cisaille de ferblantier
- Pince à dénuder ou couteau utilitaire
- Pistolet à calfeutrage et composé de calfeutrage résistant aux intempéries

### Pièces fournies

- Garniture supérieure—acier inoxydable
- Embouts (2)
- Pieds de soutien inférieurs (2)
- Brides de montage (au-dessous du plan de travail) (2)
- Vis de 4 x 8 mm (16)
- Vis de 3,5 x 9,5 mm (3)
- Clapet anti-reflux rectangulaire de 3 1/4" x 10" (8,3 cm x 25,4 cm)
- Caisse du moteur de 4 3/4" (12,0 cm)
- Couvercle d'épaisseur 1/4" (6,4 mm)
- Cache-conduit d'évacuation plat
- Raccord de transition 6" (15,2 cm) de diamètre, avec clapet

### Pièces nécessaires

- Connecteur de conduit (homologation UL ou CSA) de 1/2" (12,7 mm)
- Bouche de décharge murale ou à travers le toit avec clapet correspondant au système d'évacuation
- Système d'évacuation
- Câble d'alimentation électrique du domicile
- Connecteurs de fils homologués UL (3)
- Brides de conduit/ruban adhésif selon le besoin

## Exigences d'emplacement

**REMARQUE :** Le système d'extraction par le bas est installé directement derrière la table de cuisson. Installer d'abord le système d'extraction par le bas, puis la table de cuisson.

**IMPORTANT :** Observer les dispositions de tous les codes et règlements en vigueur.

- Demander à un technicien qualifié d'installer le système d'extraction par le bas. C'est à l'installateur qu'incombe la responsabilité de respecter les distances de séparation exigées, spécifiées sur la plaque signalétique de l'appareil. La plaque signalétique est située à l'avant de l'appareil, au-dessus du couvercle du boîtier de connexion.
- Le système d'extraction par le bas doit être installé à l'écart des zones de forts courants d'air, telles que fenêtres, portes et événements ou ventilateurs de chauffage.
- Respecter les dimensions indiquées pour les ouvertures à découper dans les placards. Ces dimensions tiennent compte des valeurs minimales des dégagements de séparation.
- Avant d'effectuer des découpes, consulter les instructions d'installation fournies par le fabricant de la table de cuisson. Vérifier qu'à l'emplacement d'installation, le système d'extraction par le bas et la table de cuisson ne produiront pas d'interférence avec les parois des placards, panneaux anti-éclaboussure et poteaux du colombage mural à l'arrière à l'intérieur du placard. Vérifier le respect de la distance minimale entre le bord avant du plan de travail et le bord avant de la table de cuisson. La distance minimale de séparation horizontale entre les placards muraux est identique à la largeur du système d'extraction installé.
- Assurer l'étanchéité au niveau de chaque ouverture découpée dans le plafond ou le mur pour l'installation du système d'extraction par le bas.
- On doit disposer d'une prise de courant électrique reliée à la terre. Voir la section "Spécifications électriques".
- Pour l'installation du système d'extraction par le bas, il sera nécessaire d'enlever le tiroir du placard et d'installer à demeure une façade de tiroir sur le placard.

### Configuration du placard :

Le système d'extraction par le bas est conçu pour une utilisation dans un placard de profondeur 24" (61 cm). Certaines installations nécessitent un plan de travail de profondeur supérieure à 25" (63,5 cm). Voir la section "Dimensions des ouvertures à découper dans le plan de travail."

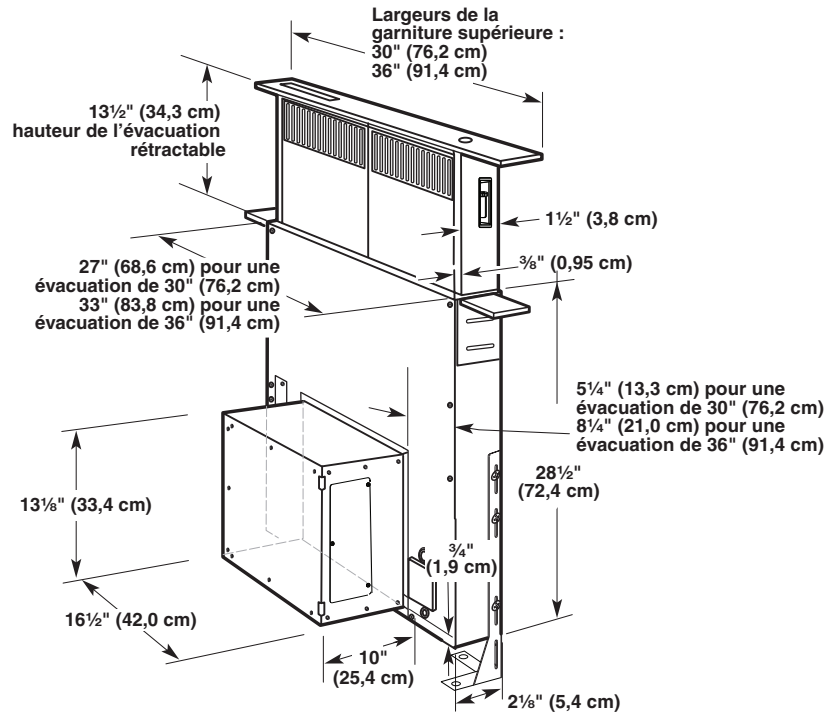
La profondeur maximale du placard mural est de 13" (33 cm). Les placards muraux installés à côté du système d'extraction par le bas doivent se trouver à 18" (45,7 cm) au-dessus de la surface de cuisson.

### Installation dans une résidence mobile

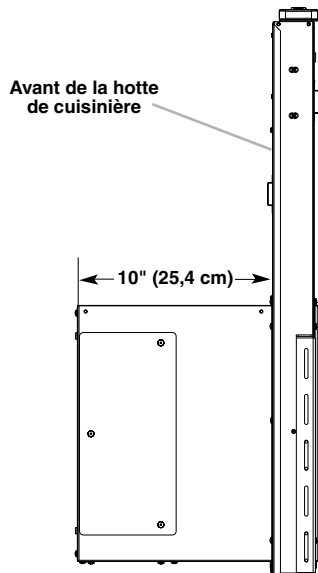
L'installation de ce système d'extraction par le bas doit satisfaire aux exigences de la norme Manufactured Home Construction Safety Standards, Titre 24 CFR, partie 328 (anciennement Federal Standard for Mobile Home Construction and Safety, titre 24, HUD, partie 280); lorsque cette norme n'est pas applicable, l'installation doit satisfaire aux critères de la plus récente édition de la norme Manufactured Home Installation 1982 (Manufactured Home Sites, Communities and Setups) ANSI A225.1/NFPA 501A, ou des codes locaux.



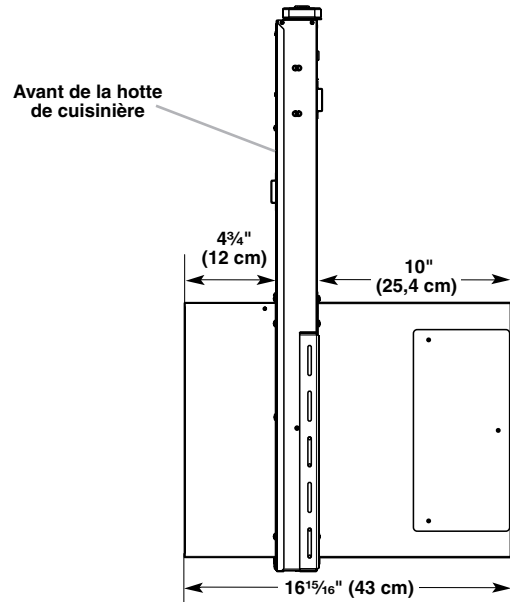
## Dimensions du produit



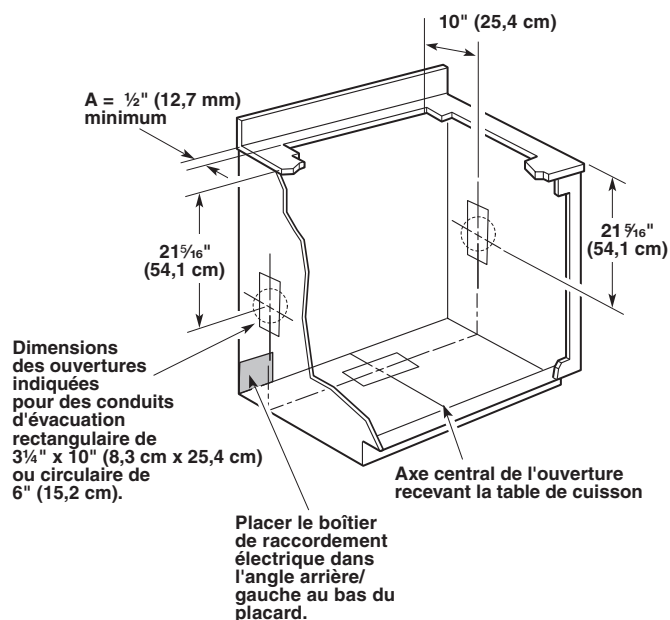
Ventilateur monté d'origine



Ventilateur inversé



## Dimensions du placard



### REMARQUES :

- Pour les dimensions de l'ouverture recevant la table de cuisson, voir les instructions du fabricant de la table de cuisson (profondeur et largeur).
- Pour les ouvertures découpées pour le circuit d'évacuation, utiliser les dimensions applicables à la situation d'installation.
- Circuits d'évacuation avec ventilateur monté à l'intérieur et raccordé au conduit d'évacuation rectangulaire de 3/4" x 10" (8,3 cm x 25,4 cm) ou circulaire de 6" (15,2 cm). Pour cette configuration, l'emplacement des ouvertures à découper dépend de la configuration d'installation spécifique.

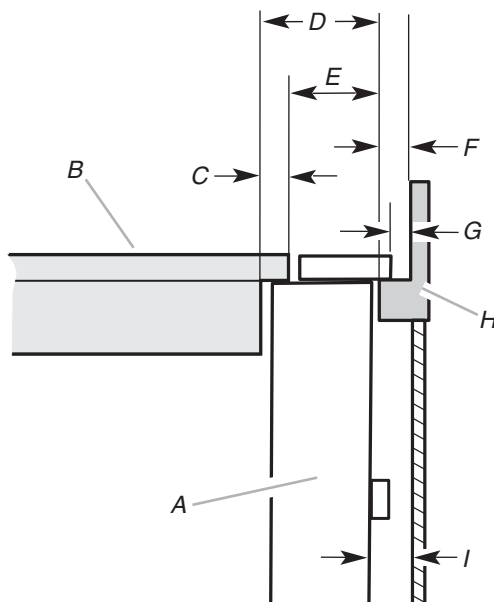
### Plan de travail—Dimensions des ouvertures à découper

**IMPORTANT :** Les plans de travail avec rebord avant arrondi ne sont pas recommandés pour ces installations.

Certains modèles nécessitent un plan de travail de plus de 25" (63,5 cm) de large; voir les illustrations suivantes.

Pour éviter une erreur, avant de découper une ouverture, il est recommandé de tracer le périmètre de la table de cuisson et des ouvertures à découper sur le plan de travail.

Pour les dimensions des ouvertures, la position des ouvertures et le détail des installations, voir les instructions d'installation de la table de cuisson.



A. Système d'extraction par le bas

B. Table de cuisson

C. Dimension du dépassement arrière de la table de cuisson.

D. D = Dimension du dépassement arrière de la table de cuisson (C) + 1 13/16" (46,2 mm) (E)

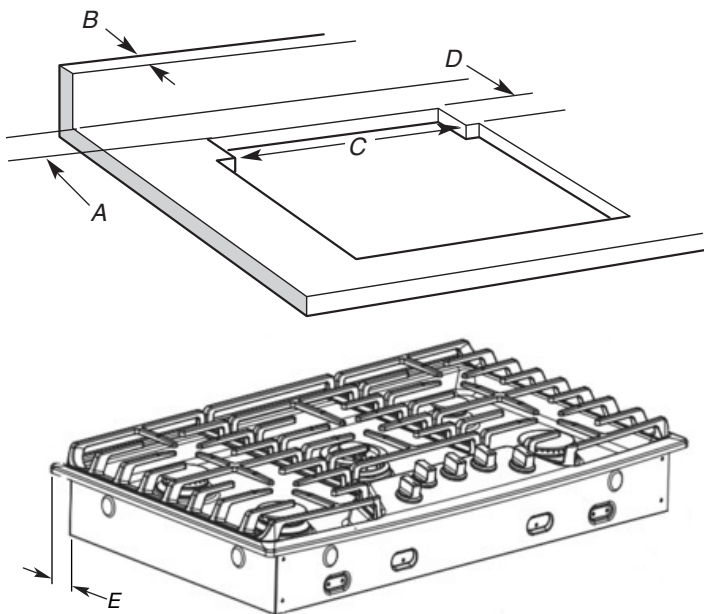
E. 1 13/16" (46,2 mm)

F. 1/2" (12,7 mm) minimum

G. 1/4" (6,4 mm) minimum

H. Plan de travail et panneau anti-éclaboussure

I. 1/2" (12,7 mm) minimum



A.  $\frac{1}{2}$ " (12,7 mm) min. jusqu'au panneau anti-éclaboussure ou mur arrière  
 B.  $\frac{3}{4}$ " (19,1 mm) maximum pour la profondeur du panneau anti-éclaboussure

C.  $27\frac{1}{2}$ " (69,9 cm) sur les modèles de 30" (76,2 cm)  
 $33\frac{1}{2}$ " (85,9 cm) sur les modèles de 36" (91,4 cm)  
 D.  $D = E + 1\frac{13}{16}$ " (46,2 mm)  
 E. Dépassement arrière de la table de cuisson

## Spécifications électriques

Observer les dispositions de tous les codes et règlements en vigueur.

S'assurer que l'installation électrique est correcte et qu'elle satisfait aux exigences de la plus récente édition de la norme National Electrical Code, ANSI/NFPA 70, ou de la norme CSA C22.1-94, Code canadien de l'électricité, partie 1 et C22.2 No 0-M91 (dernière édition) et de tous les codes et règlements en vigueur.

Si les codes le permettent et si l'on utilise un conducteur distinct de liaison à la terre, il est recommandé qu'un électricien qualifié vérifie la qualité de la liaison à la terre.

Pour obtenir un exemplaire des normes des codes ci-dessus, contacter :

National Fire Protection Association  
 1 Batterymarch Park  
 Quincy, MA 02169-7471  
 CSA International  
 8501 East Pleasant Valley Road  
 Cleveland, OH 44131-5575

- L'appareil doit être alimenté par un circuit de 120 V, CA seulement, 60 Hz, 15 ampères, protégé par fusible.
- Si le domicile possède un câblage en aluminium, suivre la procédure ci-dessous :
  1. Raccorder une section de câble en cuivre massif aux conducteurs en queue de cochon.
  2. Connecter le câblage en aluminium à la section ajoutée de câblage en cuivre en utilisant des connecteurs et/ou des outils spécialement conçus et homologués UL pour fixer le cuivre à l'aluminium.

Suivre la procédure recommandée par le fabricant de connecteurs électriques. La connexion aluminium/cuivre doit être conforme aux codes locaux et aux pratiques de câblage acceptées par l'industrie.

- Le calibre des conducteurs et les connexions doivent être compatibles avec les caractéristiques électriques de l'appareil spécifiées sur la plaque signalétique. La plaque signalétique est située à l'avant du conduit d'aspiration par le bas, au-dessus du couvercle du boîtier de connexion.

- Le calibre des conducteurs doit être conforme aux exigences du National Electrical Code, de la plus récente édition de la norme ANSI/NFPA 70 ou des normes CSA C22.1-94, Code canadien de l'électricité, partie 1 et C22.2 No. 0-M91 (édition la plus récente) et de tous les codes et règlements en vigueur.

## Exigences concernant l'évacuation

**IMPORTANT :** Avant d'effectuer des coupes, s'assurer qu'il y a un dégagement convenable dans le mur ou le plancher pour le système d'extraction.

- Utiliser un conduit métallique rigide.
- Le système doit décharger l'air à l'extérieur.
- Ne pas terminer le système d'extraction dans un grenier ou dans un autre espace fermé.
- Ne pas utiliser une bouche de décharge murale de 4" (10,2 cm) normalement utilisée pour un équipement de buanderie.
- Ne pas connecter 2 coudes ensemble.
- Ne pas utiliser un conduit de plastique ou en métal flexible.
- La longueur du système d'évacuation et le nombre de coudes doivent être réduits au minimum pour l'obtention de la meilleure performance.
- Ne pas utiliser plus de trois coudes à 90°.
- Veiller à incorporer une section de conduit rectiligne d'au moins 24" (61 cm) entre deux raccords coudés adjacents.
- Au niveau de chaque jointure du système d'extraction, assurer l'étanchéité avec les brides de serrage pour conduit ou du ruban adhésif pour conduit.
- Autour de la bouche de décharge murale ou par le plancher à l'extérieur, assurer l'étanchéité avec un produit de calfeutrage.
- Ne pas couper une solive ou un poteau du colombage. Si le point de passage d'un système d'extraction correspond à la position d'un poteau du colombage ou d'une solive, on doit réaliser une structure de support appropriée.

On déconseille l'emploi d'un conduit en métal flexible. Si un conduit de ce type doit être utilisé, on doit tenir compte du fait que chaque pied de conduit flexible compte comme 2 pi (0,6 m) de conduit rigide métallique.

Un raccord coudé flexible compte comme deux raccords coudés standard.

### Longueur recommandée pour le système d'extraction :

Pour une configuration avec ventilateur monté à l'intérieur ou monté à l'extérieur, la longueur du système d'extraction ne doit pas être supérieure à la valeur maximum indiquée au tableau "Longueur maximum du système d'extraction." Voir "Calcul de la longueur du système d'extraction" à la section "Méthodes d'extraction" des Instructions d'installation.

### Installations dans les régions au climat froid

On doit installer un clapet anti-retour supplémentaire à l'arrière pour minimiser le reflux d'air froid et incorporer un élément d'isolation thermique pour minimiser la conduction de chaleur par l'intermédiaire du conduit d'évacuation, de l'intérieur de la maison à l'extérieur. Le clapet anti-retour doit être placé du côté air froid de la résistance thermique.

L'élément d'isolation thermique doit être aussi proche que possible de l'endroit où le circuit d'évacuation s'introduit dans la partie chauffée de la maison.

### Air d'appoint

Le code du bâtiment local peut exiger l'emploi d'un système d'appoint d'air lors de l'emploi d'un ventilateur d'extraction dont la capacité d'aspiration est supérieure à un débit (pieds cubes par minute) spécifié. Le débit spécifié en pieds cubes par minute varie d'une juridiction à l'autre. Consulter un professionnel des installations de chauffage ventilation/climatisation au sujet des exigences spécifiques applicables dans la juridiction locale.

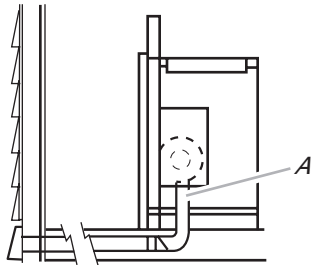
# INSTRUCTIONS D'INSTALLATION

## Méthodes d'évacuation

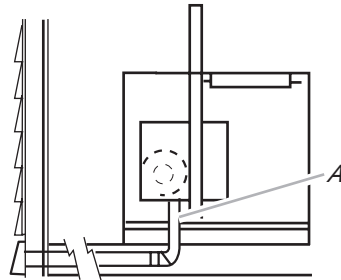
Déterminer la méthode d'évacuation la plus appropriée. La sortie à l'extérieur du circuit d'évacuation peut se faire à travers le plancher ou à travers un mur.

### Configuration en îlot

Ventilateur monté à l'avant (standard)



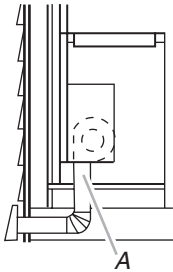
Ventilateur monté à l'arrière



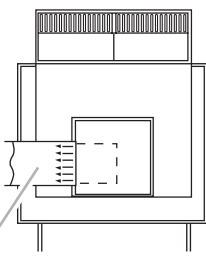
A. Évacuation vers le bas

**REMARQUE :** Pour les configurations en îlot, un ventilateur monté à l'avant ou à l'arrière peut également évacuer à droite ou à gauche en fonction de la configuration. La plupart des configurations en îlot imposent une évacuation dirigée vers le bas à travers le plancher.

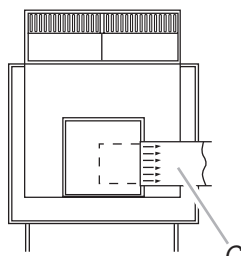
### Configuration avec encastrement



A



B

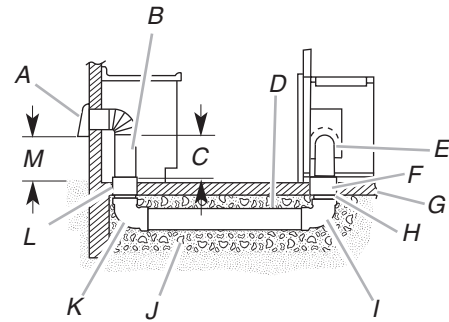


C

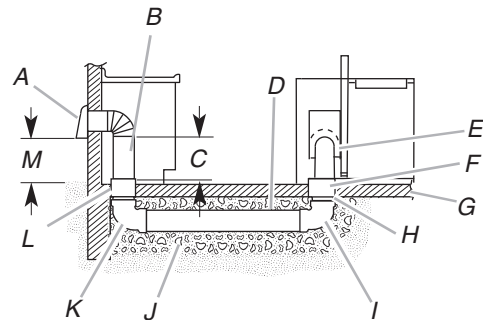
A. Évacuation vers le bas  
B. Évacuation à gauche  
C. Évacuation à droite

### Configuration en îlot – Circuit d'évacuation installé sous une dalle de béton (utilisation de conduit de PVC pour égout)

Ventilateur monté à l'avant (standard)



Ventilateur monté à l'arrière



- A. Bouche de décharge murale
- B. Conduit métallique rond de dia. 6" (15,2 cm)
- C. 16" (40,6 cm) maximum
- D. Conduit PVC dia. 6" (15,2 cm) (pour égout)
- E. Raccord de transition métallique de dia. 6" (15,2 cm) avec clapet (fourni)
- F. Raccord PVC de dia. 6" (15,2 cm)
- G. Dalle de béton
- H. Conduit PVC pour égout de dia. 6" (15,2 cm)
- I. Coude à 90° en PVC pour égout de dia. 6" (15,2 cm)
- J. Gravier ou sable compacté tout autour du tuyau.
- K. Raccord coudé 90° PVC dia. 6" (15,2 cm) (pour égout)
- L. Raccord PVC de dia. 6" (15,2 cm)
- M. 12" (30,5 cm) minimum

## Calcul de la longueur effective du circuit d'évacuation

Un conduit rectangulaire de 3 1/4" x 10" (8,3 cm x 25,4 cm) est nécessaire pour la caisse du ventilateur. Il peut être raccordé à un conduit rond de 6" (15,2 cm) si nécessaire.

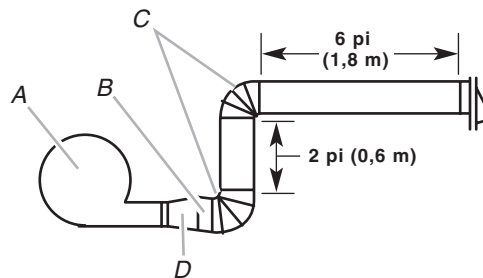
### Longueur maximum du circuit d'évacuation

Conduit d'évacuation	Longueur
Conduit dia. 6" (15,2 cm)	35 pi (8,9 m)
3 1/4" x 10" (8,3 cm x 25,4 cm)	35 pi (8,9 m)

Pour calculer la longueur effective du circuit d'évacuation nécessaire, additionner les longueurs équivalentes (en pieds ou mètres) de tous les composants utilisés dans le circuit.

Composant	Rectangulaire de 3 1/4" x 10" (8,3 cm x 25,4 cm)	
Raccord coudé à 90° de 3 1/4" x 10" (8,3 cm x 25,4 cm)	5,0 pi (1,5 m)	
Coude plat de 3 1/4" x 10" (8,3 cm x 25,4 cm)	12 pi (3,7 m)	
Bouche de décharge murale de 3 1/4" x 10" (8,3 cm x 25,4 cm)	0 pi (0 m)	
Composant	Conduit dia. 6" (15,2 cm)	
Coude à 45°	2,5 pi (0,8 m)	
Coude à 90°	5,0 pi (1,5 m)	
Bouche de décharge murale de 6" (15,2 cm)	0 pi (0 m)	
Raccord de transition de 3 1/4" x 10" (8,3 cm x 25,4 cm) vers 6" (15,2 cm)	4,5 pi (1,4 m)	
Raccord de transition de 6" (15,2 cm) vers 3 1/4" x 10" (8,3 cm x 25,4 cm)	1 pi (0,3 m)	
Raccord coudé à 90° de 3 1/4" x 10" (8,3 cm x 25,4 cm) vers 6" (15,2 cm)	5,0 pi (1,5 m)	
Raccord coudé à 90° de 6" (15,2 cm) vers 3 1/4" x 10" (8,3 cm x 25,4 cm)	5,0 pi (1,5 m)	

## Exemple de circuit d'évacuation



- A. Moteur du ventilateur  
 B. Raccord de transition  
 C. Coudes à 90°  
 D. Clapet anti-retour

Dans l'exemple suivant, la longueur effective du circuit est inférieure au maximum de 35 pi (8,9 m).

2 coudes à 90°	= 10 pi (3 m)
1 bouche de décharge murale	= 0 pi (0 m)
Section droite de 8 pi (2,4 m)	= 8 pi (2,4 m)
Raccord de transition	= 4,5 pi (1,4 cm)
<hr/>	
Longueur d'un circuit de 6" (15,2 cm) ou 3 1/4" x 10" (8,3 cm x 25,4 cm)	= 22,5 pi (6,8 m)

## Installation du conduit d'évacuation

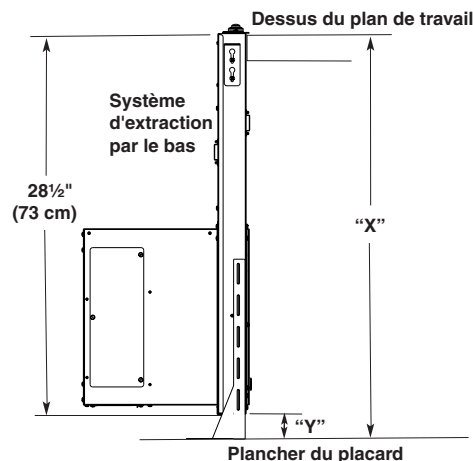
### ⚠ AVERTISSEMENT

#### Risque du poids excessif

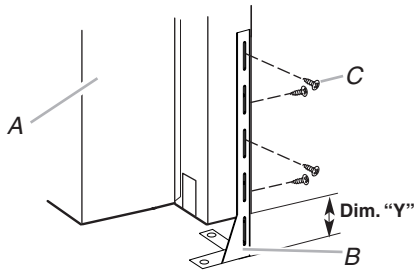
Utiliser deux ou plus de personnes pour déplacer et installer le système d'extraction.

Le non-respect de cette instruction peut causer une blessure au dos ou d'autre blessure.

- Placer une feuille de carton ou matériau similaire sur une surface plane, où on pourra facilement assembler le système d'extraction par le bas.
- Déballer les ensembles de pièces, le système d'extraction par le bas et le ventilateur.
- Enlever tous les matériaux d'emballage, ruban adhésif et film protégeant l'appareil et le ventilateur.
- Mesurer la distance "X" entre le sol et le dessus du plan de travail. Soustraire 28 1/2" de la distance "X" pour déterminer la distance "Y" ( $X - 28\frac{1}{2} = Y$ ).



- Fixer les pieds de soutien aux côtés de la caisse du système d'extraction avec 4 vis de 4 x 8 mm pour chacun. Les régler à la distance "Y" entre le bas de la caisse du système d'extraction et le bas des pieds de soutien. Serrer les vis.



A. Caisse du moteur  
B. Pied de soutien  
C. Vis de 4 x 8 mm (4)

### Déterminer la meilleure orientation de l'évacuation pour l'installation.

Dans le cas d'une installation dans un placard, l'évacuation du système d'extraction peut se faire par le bas, par le côté gauche ou par le côté droit du placard.

**IMPORTANT :** En cas d'utilisation du raccord de transition de 6" (15,2 cm) fourni pour un conduit rond de 6", seule une évacuation par la gauche ou par la droite est recommandée.

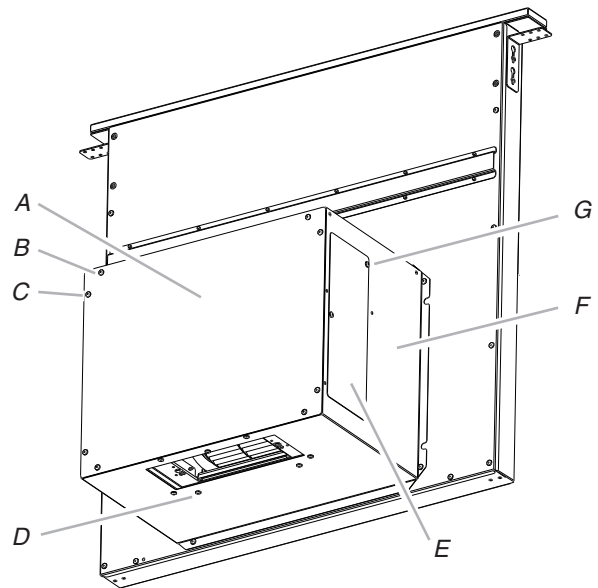
#### Évacuation par le bas :

**REMARQUE :** Si le clapet anti-retour est monté vers le bas, une bouche de décharge murale ou à travers le toit équipée d'un clapet est nécessaire à l'extrémité du circuit d'évacuation.

- Le système d'extraction par le bas est livré avec le ventilateur en position pour une évacuation par le bas; par conséquent aucune modification n'est nécessaire.
- S'il n'est pas nécessaire que le ventilateur soit monté à l'arrière, passer à la section "Achever l'installation".
- Pour monter le ventilateur à l'arrière de la caisse du système d'extraction, passer à la section "Montage du ventilateur à l'arrière".

#### Sortie par le côté gauche ou le côté droit :

- À deux personnes ou plus, poser l'arrière du système d'extraction par le bas face au sol.
- Retirer les 4 vis du couvercle monté à l'avant de la caisse du moteur et les mettre de côté.



A. Couvercle  
B. Vis du couvercle (4)  
C. Vis à épaulement pour encoches en trou de serrure (4)  
D. Vis de montage du moteur (4)  
E. Couvercle de l'évacuation  
F. Caisse du moteur  
G. Vis du couvercle de l'évacuation (3)

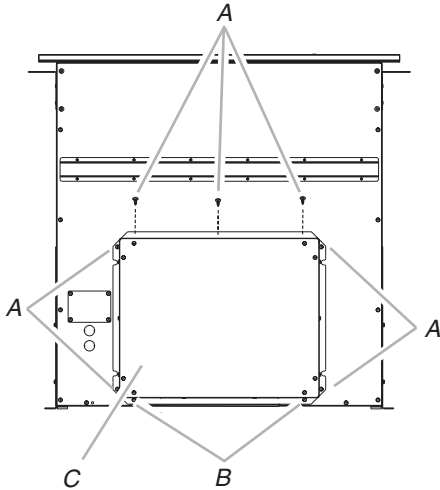
- Faire glisser le couvercle vers le haut et le sortir des vis à épaulement pour encoches en trou de serrure. Mettre le couvercle de côté.
- Retirer les 4 vis du bas de la caisse du moteur qui maintiennent le moteur à la caisse.  
**REMARQUE :** Débrancher le câblage électrique du moteur si nécessaire.
- Retirer les 3 vis et le couvercle de l'évacuation à gauche ou à droite de la caisse du moteur, en fonction de l'orientation à utiliser pour l'évacuation.
- Faire pivoter le moteur du ventilateur de 90° à droite ou à gauche selon l'orientation d'évacuation choisie et le fixer à la caisse du moteur avec les vis de montage du moteur retirées précédemment. Ne pas tordre ou plier le câblage.
- Fixer le couvercle de l'évacuation sur l'ouverture rectangulaire au bas de la caisse du moteur à l'aide des vis correspondantes.  
**REMARQUE :** Rebrancher le câblage électrique du moteur s'il a été retiré.
- Remonter le couvercle de la caisse du moteur à l'aide des 4 vis précédemment retirées.
- Pour monter le ventilateur à l'arrière de la caisse du système d'extraction, passer à la section "Montage du ventilateur à l'arrière". Sinon, passer à la section "Achever l'installation".

## Montage du ventilateur à l'arrière

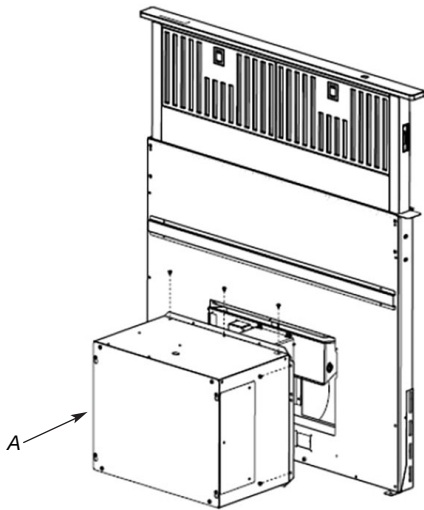
**REMARQUE :** Position de montage du ventilateur à l'arrière (côté opposé) possible pour les configurations en îlot. On peut déplacer la caisse du moteur du ventilateur du côté opposé (arrière) de la caisse du système d'extraction.

1. Ôter les 7 vis des rebords de montage de la caisse du ventilateur.

### Vue de face



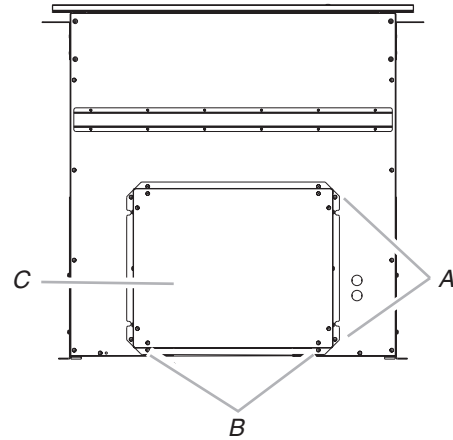
- A. Vis (7)  
 B. Vis à épaulement pour encoches en trou de serrure (2)  
 C. Caisse du ventilateur



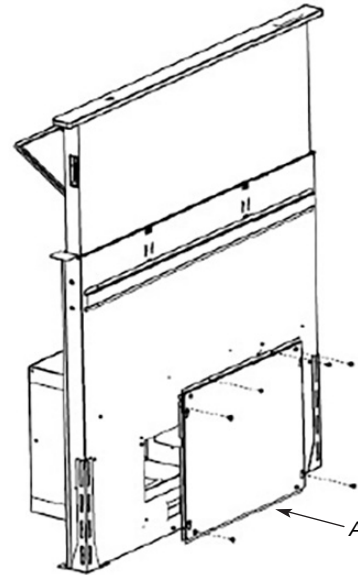
A. Caisse du moteur de ventilateur

2. Soulever la caisse du ventilateur et la sortir des vis à épaulement dans les encoches en trou de serrure. Débrancher le câblage du ventilateur et mettre de côté la caisse du ventilateur.
3. Ôter les 6 vis du rebord de montage du couvercle d'épaisseur 1/4" (6,4 mm).

### Vue arrière

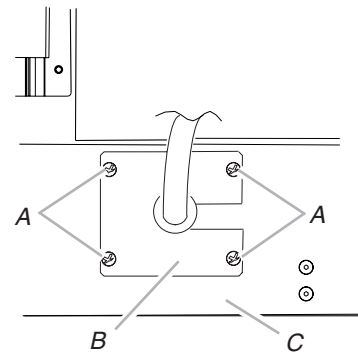


- A. Vis (6)  
 B. Vis à épaulement pour encoches en trou de serrure (2)  
 C. Couvercle d'épaisseur 1/4" (6,4 mm)



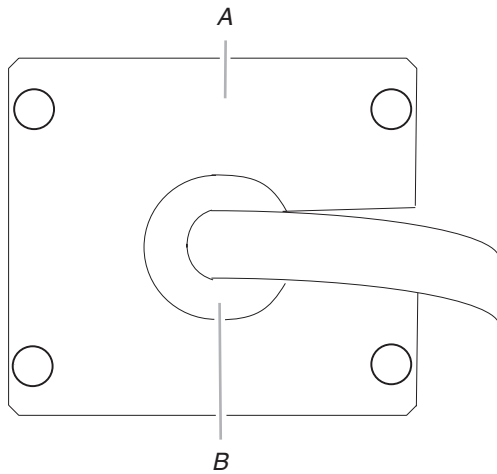
A. Couvercle d'épaisseur

4. Lever le couvercle d'épaisseur 1/4" (6,4 mm) pour le sortir des vis à épaulement dans les encoches en trou de serrure et le mettre de côté.
5. Retirer les vis de la platine de montage du câble.



- A. Vis  
 B. Platine de montage du câble  
 C. Caisse du ventilateur

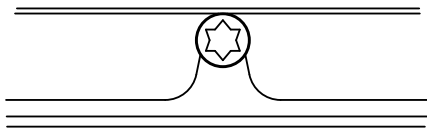
6. En maintenant la platine de montage du câble, sortir l'œillet.



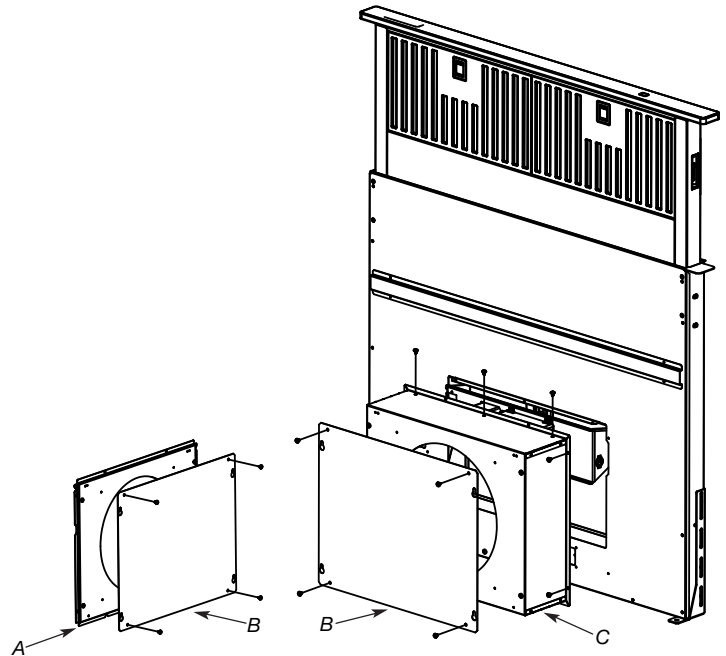
A. Platine de montage du câble  
B. OEillet

7. Faire glisser le câblage par la fente de la platine de montage du câble pour le retirer.  
8. Placer le câblage par l'ouverture de l'autre côté de la caisse du système d'extraction.  
9. Replacer le câblage et l'œillet dans la platine de montage du câble.  
10. Installer la platine de montage du câble dans la caisse du système d'extraction à l'aide des 4 vis précédemment retirées.  
11. Placer les encoches en trou de serrure de la caisse du ventilateur sur les 2 vis à épaulement à l'arrière de la caisse du système d'extraction et rebrancher le câblage au ventilateur.

Monter la caisse du ventilateur sur la caisse du système d'extraction et la fixer à l'aide des 6 vis précédemment retirées.



12. Monter le couvercle de 4<sup>3/4</sup>" (12,0 cm) (fourni) à l'avant de la caisse du système d'extraction. Placer les encoches en trou de serrure par-dessus les 2 vis à épaulement, aligner les trous de montage et fixer le couvercle à la caisse du système d'extraction à l'aide des 6 vis précédemment retirées du couvercle d'épaisseur 1/4" (6,4 mm).  
13. Retirer le couvercle avant du couvercle d'épaisseur, placer le couvercle avant sur le couvercle déjà installé, puis fixer à l'aide des 4 vis précédemment retirées.



A. Couvercle d'épaisseur  
B. Couvercle avant  
C. Couvercle (fourni)

14. Passer à la section "Achever l'installation".

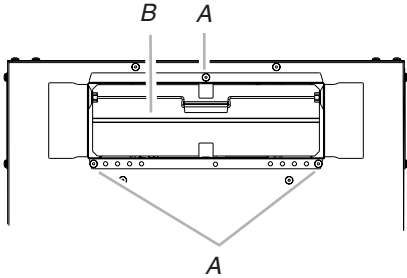


## Achever l'installation

**REMARQUE :** Le système d'extraction par le bas est livré avec un clapet anti-retour de 3<sup>1</sup>/<sub>4</sub>" x 10" (8,3 cm x 25,4 cm) et un raccord de transition pour conduit rond de 6" (15,2 cm) avec clapet. Se reporter à la section "Clapet anti-retour de 3<sup>1</sup>/<sub>4</sub>" x 10" (8,3 cm x 25,4 cm)" ou "Raccord de transition pour conduit rond de 6" (15,2 cm) avec clapet", selon le type de circuit d'évacuation utilisé.

### Clapet anti-retour de 3<sup>1</sup>/<sub>4</sub>" x 10" (8,3 cm x 25,4 cm)

1. Fixer le clapet anti-retour de 3<sup>1</sup>/<sub>4</sub>" x 10" (8,3 cm x 25,4 cm) à l'ouverture d'évacuation de la caisse du ventilateur à l'aide de trois vis de 3,5 x 9,5 mm.

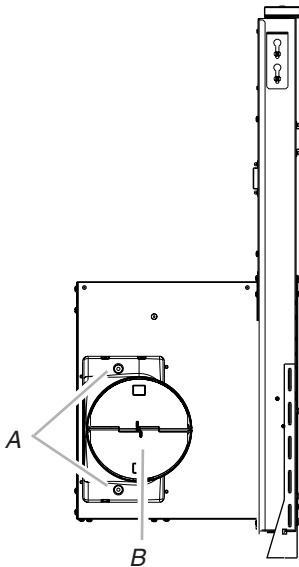


A. Vis de 3,5 x 9,5 mm

B. Clapet anti-retour de 3<sup>1</sup>/<sub>4</sub>" x 10" (8,3 cm x 25,4 cm)

### Raccord de transition rond de 6" (15,2 cm) avec clapet

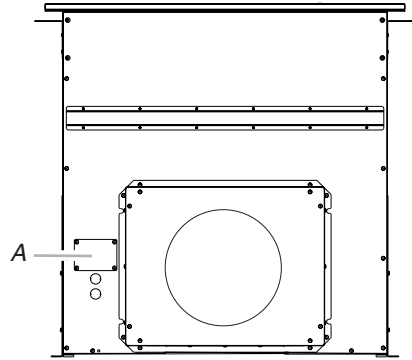
1. Fixer le raccord de transition rond de 6" (15,2 cm) à l'ouverture d'évacuation (seule une évacuation par le côté droit ou gauche est recommandée) à l'aide de deux vis de 3,5 x 9,5 mm.



A. Vis de 3,5 x 9,5 mm

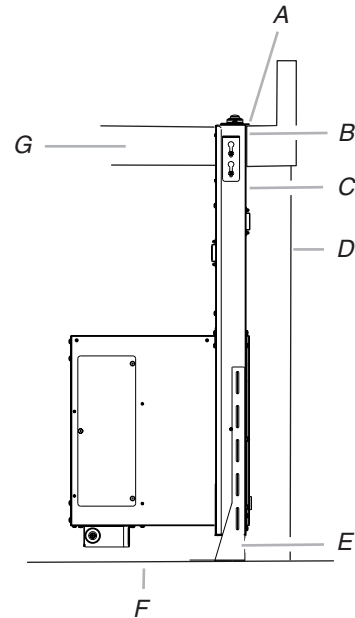
B. Raccord de transition rond de 6" (15,2 cm) avec clapet

2. Ôter les 4 vis du couvercle du boîtier de connexion.



A. Couvercle du boîtier de connexion

3. Déterminer par quel côté (avant ou arrière) le câble d'alimentation domestique entre dans le boîtier de connexion. Ôter l'opercule approprié du panneau avant ou arrière et installer un connecteur de conduit de 1/2" (12,7 mm) homologué UL ou CSA.
4. À 2 personnes ou plus, insérer le système d'extraction par le bas dans l'ouverture découpée dans le plan de travail. Centrer le système d'extraction par le bas dans la découpe, son rebord arrière par-dessus l'arête de la découpe et l'arrière du système contre l'arête de la découpe.



A. Rebord arrière du système d'extraction par le bas

B. Arête de la découpe du plan de travail

C. Arrière du système d'extraction par le bas

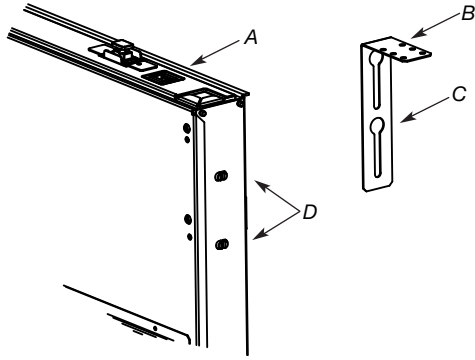
D. Arrière du placard

E. Pied de soutien inférieur

F. Plancher du placard

G. Plan de travail

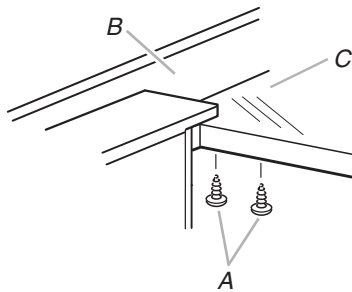
5. Fixer les brides de montage pour le dessous du plan de travail sur le conduit d'évacuation. Faire glisser les encoches en trou de serrure sur les guides, puis pousser les brides vers le haut pour les mettre en place.



A. Conduit d'évacuation  
 B. Bride de montage pour dessous du plan de travail  
 C. Orifices en trou de serrure  
 D. Guides

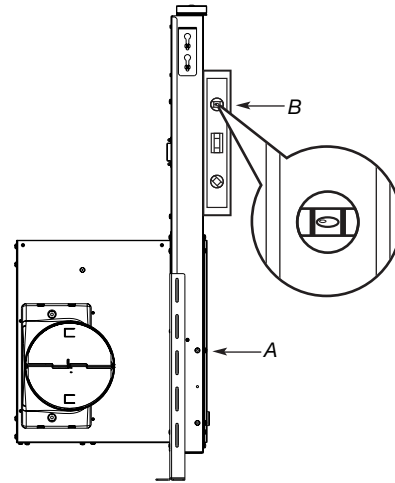
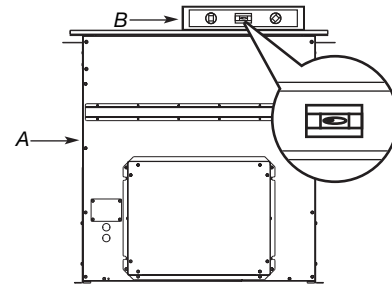
6. Percer 2 avant-trous à travers les équerres de fixation sous le plan de travail, dans la face inférieure du plan de travail. Avec 2 vis (non fournies) de la longueur adéquate, fixer les équerres au plan de travail.

**IMPORTANT :** Choisir des vis d'une longueur adéquate pour ne pas traverser le plan de travail au serrage.



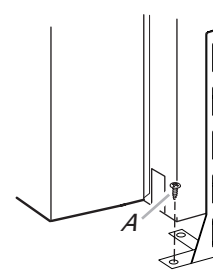
A. Vis  
 B. Panneau anti-éclaboussure  
 C. Plan de travail

7. Vérifier que le système d'extraction par le bas est d'aplomb vertical comme illustré. Desserrer les vis des pieds de soutien inférieurs et régler les pieds de soutien en appui sur le plancher du placard.



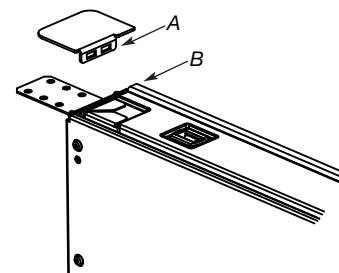
A. Extraction par le bas  
 B. Niveau

8. Fixer les pieds de soutien inférieurs de l'appareil sur le plancher du placard avec des vis (non fournies).



A. Vis (non fournie)

9. Serrer les vis des pieds de soutien.  
 10. Fixer les embouts gauche et droit sur le conduit d'évacuation. Placer les guides dans les encoches de montage de chaque extrémité du système d'extraction par le bas comme indiqué et pousser vers le bas pour verrouiller en place.



A. Encoche d'embout  
 B. Encoche de montage

## Raccordements électriques

### ⚠ AVERTISSEMENT



#### Risque de choc électrique

Déconnecter la source de courant électrique avant l'entretien.

Replacer pièces et panneaux avant de faire la remise en marche.

Le non-respect de ces instructions peut causer un décès ou un choc électrique.

1. Déconnecter la source de courant électrique.
2. Faire passer le câble d'alimentation à travers le connecteur de conduit et dans le boîtier de connexion.

### ⚠ AVERTISSEMENT



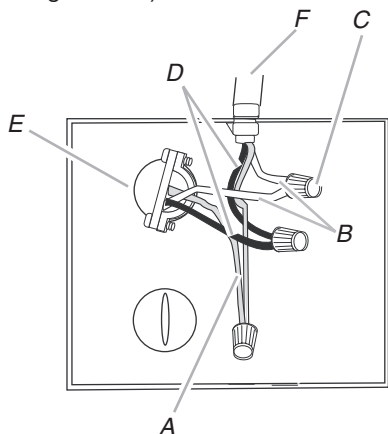
#### Risque de choc électrique

Relier le ventilateur à la terre.

Brancher le fil relié à la terre au fil vert et jaune relié à la terre dans la boîte de la borne.

Le non-respect de ces instructions peut causer un décès ou un choc électrique.

3. Connecter le conducteur de terre vert (ou vert/jaune) au conducteur de terre vert ou jaune/vert à l'aide de connecteurs de fils homologués UL. Serrer la vis sur le connecteur de conduit.
4. Raccorder les 2 conducteurs blancs avec les connecteurs de fils (homologation UL).



- |  |   |
|--|---|
| A. Conducteur de terre vert ou vert et jaune | D. Conducteurs noirs                              |
| B. Conducteurs blancs                        | E. Connecteur de conduit (homologation UL ou CSA) |
| C. Connecteurs de fils (homologation UL)     | F. Câblage du système d'extraction par le bas     |

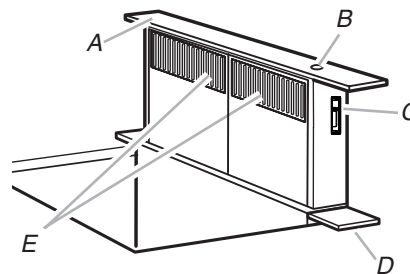
5. Raccorder les 2 conducteurs noirs avec des connecteurs de fils (homologation UL).
6. Réinstaller le couvercle du boîtier de connexion et le fixer avec la vis.
7. Reconnecter la source de courant électrique.

## Contrôle du fonctionnement

1. Appuyer pendant quelques secondes sur le bouton au sommet du système d'extraction par le bas. La section rétractable du système d'extraction par le bas se déploie et le ventilateur peut être mis en marche à l'aide du curseur de commande. Retirer le film de protection et utiliser un nettoyant pour acier inoxydable pour enlever la graisse restante. Positionner la garniture supérieure sur la section rétractable; emboîter la garniture en place.

On peut trouver chez le revendeur local des ensembles de garniture assortis à la couleur de la table de cuisson.

Pour des renseignements sur la commande, voir la section "Assistance ou service".



- |                                 |                                       |
|---------------------------------|---------------------------------------|
| A. Garniture supérieure         | C. Curseur de commande du ventilateur |
| B. Bouton on/off (marche/arrêt) | D. Garniture d'extrémité              |
|                                 | E. Filtres                            |

2. Manœuvrer le curseur de commande sur le côté de l'appareil pour vérifier son fonctionnement et la vitesse du ventilateur.
3. Si le ventilateur ne se met pas en marche :
  - Vérifier que le(s) filtre(s) est/sont enfoncé(s) (aussi loin que possible).
  - Vérifier si le disjoncteur s'est déclenché ou si un fusible est grillé.
4. Connecter le circuit d'évacuation au ventilateur. Le circuit d'évacuation doit se terminer par une bouche de décharge (à travers le mur ou le toit). Utiliser du ruban adhésif pour conduits ou des brides pour assurer l'étanchéité de tous les raccords.
5. Installer la table de cuisson conformément aux instructions du fabricant. Vérifier que l'arrière de la table de cuisson est en chevauchement de  $\frac{3}{8}$ " (9,5 mm) sur le système d'extraction par le bas rétractable. Voir "Dimensions des ouvertures à découper dans le plan de travail", à la section "Exigences d'emplacement".

**REMARQUE :** Pour tirer le plus grand bénéfice du système d'extraction par le bas rétractable, lire la section "Utilisation du système d'extraction".

# UTILISATION DU SYSTÈME D'EXTRACTION

Le système d'extraction par le bas rétractable sert à éliminer la fumée, les vapeurs de cuisson et les odeurs issues de la table de cuisson.

- Pour de meilleurs résultats, le système d'extraction doit être en marche avant d'entreprendre une cuisson.
- Lors de l'emploi d'un récipient de grande taille, le placer sur le grand brûleur ou élément chauffant à l'arrière.
- Lorsque le système d'extraction par le bas fonctionne, il peut être nécessaire d'employer une puissance de chauffage plus élevée.
- Pour les tables de cuisson à gaz, le système d'extraction rétractable pourrait affecter la stabilité de la flamme et les performances de cuisson. Pour améliorer les performances du brûleur, réduire la vitesse du système d'extraction rétractable ou augmenter le réglage de la flamme du brûleur de la table de cuisson.
- Pour les tables de cuisson à gaz dotées du système de rallumage par détection de flamme, le système d'extraction rétractable pourrait disperser la flamme et l'éloigner de l'allumeur à étincelles, ce qui pourrait pousser ce dernier à jeter des étincelles continuellement afin d'essayer de rallumer un brûleur qui est déjà allumé. Pour résoudre le problème de l'allumeur à étincelles qui jette des étincelles continuellement, diminuer la vitesse du système d'extraction rétractable ou augmenter le réglage de la flamme de la table de cuisson pour ce brûleur.

## Utilisation du système d'extraction par le bas

### Utilisation :

1. Appuyer pendant quelques secondes sur le bouton au sommet de l'appareil. (Ce léger délai permet d'éviter un soulèvement accidentel de la partie rétractable du système d'extraction par le bas lors du nettoyage de la table de cuisson.) La partie rétractable du système d'extraction par le bas se déploie. Le ventilateur se met en marche immédiatement si le curseur de commande du ventilateur est à la position de marche.
2. Régler la vitesse du ventilateur à l'aide du curseur de commande sur le côté droit du système d'extraction par le bas.

### Lorsque la cuisson est terminée :

1. Appuyer sur le bouton situé au sommet du système d'extraction par le bas rétractable. Le ventilateur s'arrête; la partie rétractable revient à sa position fermée.

**REMARQUE :** Si du liquide renversé s'infiltre dans le système d'extraction par le bas, l'appareil doit être arrêté immédiatement. L'introduction d'un liquide (eau, etc.) dans le système d'extraction par le bas en fonctionnement peut endommager le système d'extraction par le bas.

2. Éteindre immédiatement le système d'extraction par le bas avec le bouton de réglage de la vitesse à droite de l'appareil.
3. Couper l'alimentation du système d'extraction par le bas au niveau du tableau de distribution (disjoncteur/fusible).
4. Laisser le système d'extraction par le bas sécher naturellement pendant une période suffisante. Ne pas ouvrir l'appareil pour éliminer l'eau.

# ENTRETIEN DU SYSTÈME D'ÉVACUATION

## Surface du système d'extraction par le bas

Pour éviter d'endommager la finition, nettoyer les surfaces avec de l'eau savonneuse. Ne pas utiliser une solution de récurage ou un produit abrasif.

### Surfaces externes :

Afin d'éviter d'endommager la surface externe, ne pas utiliser de tampons en laine d'acier ou de tampons à récurer savonneux.

Toujours essuyer pour éviter de laisser des marques d'eau.

### Méthode de nettoyage :

- Savon détergent liquide et eau, ou produit de nettoyage polyvalent.
- Frotter avec un chiffon doux humide ou une éponge non abrasive, puis rincer avec de l'eau propre et essuyer.

**REMARQUE :** Afin d'éviter toute détérioration, ne pas laisser tremper la lingette ou l'éponge.

## Filtres

Enlever et nettoyer fréquemment le(s) filtre(s) de la section rétractable du système d'extraction par le bas. Ceci optimisera l'efficacité de fonctionnement.

### Remplacement :

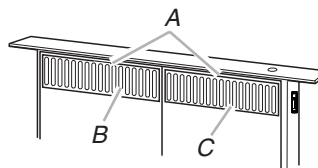
1. Retirer chaque filtre en tirant sur la poignée à ressort puis en tirant le filtre vers le bas.
2. Laver le(s) filtre(s) métallique(s) selon le besoin au lave-vaisselle ou avec une solution de détergent chaude.
3. Réinstaller le filtre en s'assurant que les poignées à ressort sont orientées vers l'avant. Insérer le filtre à graisse métallique dans la rainure supérieure.
4. Tirer vers le bas sur la poignée à ressort.
5. Pousser le filtre métallique vers le haut et relâcher la poignée pour l'emboîter.
6. Répéter les étapes 1 à 5 pour l'autre filtre.

### Nettoyage :

1. Nettoyer le(s) filtre(s) au lave-vaisselle ou dans une solution de détergent chaude. Le système d'extraction par le bas ne fonctionne pas lorsque les filtres ne sont pas installés.
2. Faire sécher complètement le(s) filtre(s) avant de réinstaller; veiller à bien emboîter chaque filtre.

### Si le système d'extraction par le bas ne fonctionne pas après l'installation des filtres propres :

Pousser le filtre aussi loin que possible. Lorsqu'on enlève le filtre, ceci désactive le microcontact placé derrière le filtre. Cette fonction empêche le système d'extraction de fonctionner tant que le filtre n'a pas été correctement réinstallé.



A. Poignées à ressort  
B. Filtre métallique de gauche  
C. Filtre métallique de droite

# DÉPANNAGE

Essayez d'abord les solutions suggérées ici. Pour obtenir de l'aide ou des conseils qui permettront peut-être d'éviter une intervention de dépannage, consulter la page de garantie de ce manuel et scanner le code QR avec votre appareil mobile ou visiter le site Internet <https://jennair.custhelp.com>.

Au Canada, visiter le <http://www.jennair.ca>.

Il est possible d'adresser ses commentaires ou questions par courrier à l'adresse ci-dessous :

Aux États-Unis :

Jenn-Air Brand Home Appliances  
Customer eXperience Center  
553 Benson Road  
Benton Harbor, MI 49022-2692

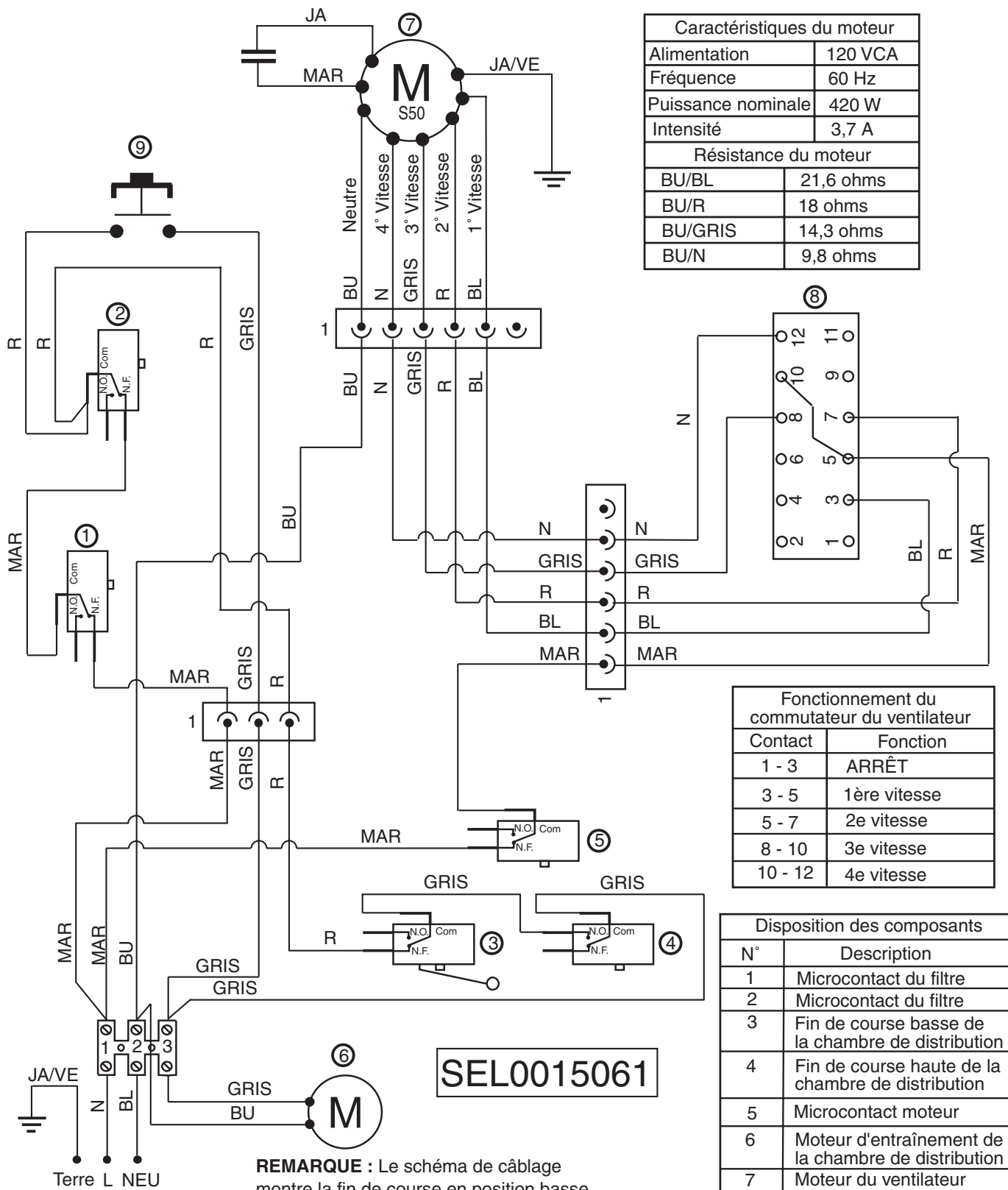
In Canada:

Jenn-Air Brand Home Appliances  
Customer eXperience Centre  
200 - 6750 Century Ave.  
Mississauga, Ontario L5N 0B7

Veuillez indiquer dans votre correspondance un numéro de téléphone où l'on peut vous joindre dans la journée.

PROBLÈME	CAUSES ET/OU SOLUTIONS POSSIBLES
Rien ne fonctionne	<p><b>Un fusible est-il grillé ou le disjoncteur s'est-il ouvert?</b> Remplacer le fusible ou réenclencher le disjoncteur. Si le problème persiste, appeler un électricien.</p> <p><b>Les filtres sont-ils bien placés dans la chambre de distribution?</b> Vérifier que les filtres appuient correctement sur les contacts de filtre.</p> <p><b>Le bouton de démarrage est-il resté enfoncé pendant au moins 3 secondes?</b> Maintenir enfoncé le bouton situé sur le dessus du système d'extraction par le bas pendant au moins 3 secondes pour terminer le cycle requis pour commencer le repli.</p>
Le système d'extraction ne se replie pas.	<p><b>Les filtres sont-ils placés dans le système d'extraction par le bas?</b> Le microcontact placé derrière le filtre se désactive lorsque les filtres sont enlevés. Cette fonction empêche le système d'extraction de fonctionner tant que le filtre n'a pas été correctement réinstallé.</p> <p><b>Les filtres sont-ils bien installés?</b> Pousser le plus possible le filtre vers l'intérieur pour activer le microcontact situé derrière le filtre.</p> <p><b>Le bouton de démarrage est-il resté enfoncé pendant au moins 3 secondes?</b> Maintenir enfoncé le bouton situé sur le dessus du système d'extraction par le bas pendant au moins 3 secondes pour terminer le cycle requis pour commencer le repli.</p> <p><b>Le système d'extraction est-il bien fixé?</b> Vérifier que la hotte à ventilation est d'aplomb et droite. Vérifier qu'elle est bien fixée au plancher et au comptoir.</p>
Système d'extraction partiellement déployé	<p><b>Quelque chose empêche-t-il le système de bouger correctement?</b> Vérifier que la table de cuisson ne nuit pas au mouvement du système d'extraction par le bas</p> <p><b>Le système d'extraction est-il d'aplomb?</b> Mettre le système d'extraction d'aplomb. Voir la section "Installer le système d'extraction par le bas".</p>
Le ventilateur ne fonctionne pas	<p><b>Le système d'extraction est-il complètement déployé?</b> Vérifier que le système d'extraction est entièrement déployé.</p> <p><b>Les filtres sont-ils bien installés?</b> Pousser le plus possible le filtre vers l'intérieur pour activer le contact situé derrière le filtre.</p> <p><b>Le curseur de commande est-il toujours à la position fermé?</b> Pour sélectionner la vitesse du ventilateur, utiliser le curseur de commande (côté droit) du conduit d'évacuation par le bas.</p> <p><b>Le ventilateur est-il bien installé?</b> Voir la section "Montage du ventilateur à l'arrière".</p>
Le système d'extraction n'est pas de niveau avec le dessus de comptoir.	<p><b>Le système d'extraction est-il d'aplomb?</b> Mettre le système d'extraction d'aplomb. Voir la section "Installer le système d'extraction par le bas".</p> <p><b>Le système d'extraction est-il plus haut d'un côté que de l'autre?</b> Vérifier que les deux pieds de soutien sont de la même longueur à partir du bas du conduit d'évacuation. Voir la section "Installer le système d'extraction par le bas".</p>
Le ventilateur est bruyant	<p><b>Le ventilateur a-t-il été installé récemment? Produit-il un bruit de grincement?</b> Utiliser un nettoyeur pour acier inoxydable pour enlever tout résidu laissé derrière par le film blanc. Vérifier que rien n'entrave le ventilateur.</p> <p><b>Le bruit est-il produit par le mouvement de l'air?</b> Vérifier que le produit est bien installé dans la section découpée et qu'il n'y a pas d'espace entre les deux.</p>

# SCHÉMA DE CÂBLAGE



Caractéristiques du moteur	
Alimentation	120 VCA
Fréquence	60 Hz
Puissance nominale	420 W
Intensité	3,7 A
Résistance du moteur	
BU/BL	21,6 ohms
BU/R	18 ohms
BU/GRIS	14,3 ohms
BU/N	9,8 ohms

Fonctionnement du commutateur du ventilateur	
Contact	Fonction
1 - 3	ARRÊT
3 - 5	1ère vitesse
5 - 7	2e vitesse
8 - 10	3e vitesse
10 - 12	4e vitesse

Disposition des composants	
N°	Description
1	Microcontact du filtre
2	Microcontact du filtre
3	Fin de course basse de la chambre de distribution
4	Fin de course haute de la chambre de distribution
5	Microcontact moteur
6	Moteur d'entraînement de la chambre de distribution
7	Moteur du ventilateur
8	Contacteurs de vitesse du ventilateur
9	Bouton marche - montée/descente ch. distrib.

**REMARQUE :** Le schéma de câblage montre la fin de course en position basse.

# ASSISTANCE OU SERVICE

## Si vous avez besoin de service

Consulter la page de garantie du présent manuel.

## Si vous avez besoin de pièces de rechange

Si vous avez besoin de commander des pièces de rechange, nous vous recommandons d'utiliser seulement des pièces spécifiées par l'usine. Les pièces spécifiées par l'usine conviendront et fonctionneront bien car elles sont fabriquées avec la même précision que celles utilisées pour fabriquer chaque nouvel appareil.

Pour localiser des pièces spécifiées par l'usine dans votre région, composer le numéro de téléphone d'aide à la clientèle suivant ou appeler le centre de service désigné le plus proche.

## Aux É.-U.

Téléphoner sans frais au Centre pour l'eXpérience de la clientèle de Jenn-Air au : **1-800-JENNAIR (1-800-536-6247)** ou visitez notre site **www.jennair.com**.

### Nos consultants peuvent vous aider sur les points suivants :

- Programmation d'une intervention de dépannage. Les techniciens de service désignés par la gamme des appareils électroménagers Jenn-Air® sont formés pour remplir la garantie des produits et fournir un service après garantie partout aux États-Unis.
- Caractéristiques et spécifications de notre gamme complète d'appareils ménagers.
- Consultez le revendeur local d'appareils Jenn-Air®.
- Renseignements sur l'installation.
- Procédures d'utilisation et d'entretien.
- Vente d'accessoires et de pièces de rechange.
- Assistance spécialisée au client (langue espagnole, malentendants, malvoyants, etc.).

### Pour plus d'assistance

Si vous avez besoin de plus d'assistance, vous pouvez écrire à Jenn-Air en soumettant toute question ou tout problème à :

Jenn-Air Brand Home Appliances  
Customer eXperience Center  
553 Benson Road  
Benton Harbor, MI 49022-2692

N'oubliez pas d'indiquer dans votre correspondance un numéro de téléphone où l'on peut vous joindre dans la journée.

## Au Canada

Téléphoner sans frais au Centre pour l'eXpérience de la clientèle Whirlpool Canada LP au **1-800-JENNAIR (1-800-536-6247)** ou visiter notre site Internet sur **www.jennair.ca**.

### Nos consultants peuvent vous aider sur les points suivants :

- Appeler pour demander une intervention de dépannage. Les techniciens de service désignés par Jenn-Air® sont formés pour remplir la garantie des produits et fournir un service après la garantie, partout au Canada.
- Caractéristiques et spécifications de notre gamme complète d'appareils ménagers.
- Références aux concessionnaires locaux Jenn-Air®.
- Renseignements pour l'installation.
- Procédés d'utilisation et d'entretien.
- Vente d'accessoires et de pièces de rechange.

### Pour de l'aide supplémentaire

Si vous avez besoin d'aide supplémentaire, vous pouvez écrire à Jenn-Air® Appliances en soumettant toute question ou problème à :

Jenn-Air Brand Home Appliances  
Customer eXperience Centre  
200 - 6750 Century Ave.  
Mississauga, Ontario L5N 0B7

Veuillez indiquer dans votre correspondance un numéro de téléphone où l'on peut vous joindre dans la journée.

## Accessoires

**REMARQUE :** Instructions d'installation fournies avec chaque ensemble.

### Pour les modèles séries JXD7030Y

#### Garniture supérieure monopiece de 30" (76,2 cm)

Commander la pièce numéro W10387676 (noir)

### Pour les modèles séries JXD7036Y

#### Garniture supérieure monopiece de 36" (91,4 cm)

Commander la pièce numéro W10387677 (noir)



# GARANTIE LIMITÉE DES GROS APPAREILS MÉNAGERS JENN-AIR®

ATTACHEZ ICI VOTRE REÇU DE VENTE. UNE PREUVE D'ACHAT EST OBLIGATOIRE POUR OBTENIR L'APPLICATION DE LA GARANTIE.

Lorsque vous appelez le centre d'expérience de la clientèle, veuillez garder à disposition les renseignements suivants :

- Nom, adresse et numéro de téléphone
- Numéros de modèle et de série
- Une description claire et détaillée du problème rencontré
- Une preuve d'achat incluant le nom et l'adresse du marchand ou du détaillant

## SI VOUS AVEZ BESOIN DE SERVICE :

1. Avant de nous contacter pour obtenir un dépannage, veuillez déterminer si des réparations sont nécessaires pour votre produit. Certains problèmes peuvent être résolus sans intervention de dépannage. Prenez quelques minutes pour parcourir la section Dépannage ou Résolution de problèmes du guide d'utilisation et d'entretien, scannez le code QR ci-contre avec votre téléphone intelligent pour accéder à des ressources supplémentaires, ou rendez-vous sur le site <https://www.jennair.ca>.
2. Tout service sous garantie doit être effectué exclusivement par nos fournisseurs de dépannage autorisés Jenn-Air. Aux É.-U. et au Canada, dirigez toutes vos demandes de service sous garantie au

**Centre d'expérience de la clientèle Jenn-Air**  
**1-800-JENNAIR (1-800-536-6247).**

Si vous résidez à l'extérieur du Canada et des 50 États des États-Unis, contactez votre marchand Jenn-Air autorisé pour déterminer si une autre garantie s'applique.



<https://www.jennair.ca>

## GARANTIE LIMITÉE DE DEUX ANS

### CE QUI EST COUVERT

Pendant deux ans à compter de la date d'achat, lorsque ce gros appareil ménager est installé, utilisé et entretenu conformément aux instructions jointes à ou fournies avec le produit, la marque Jenn-Air de Whirlpool Corporation ou Whirlpool Canada, LP (ci-après désignées "Jenn-Air") décidera à sa seule discrétion de remplacer le produit ou de couvrir le coût des pièces spécifiées par l'usine et de la main-d'œuvre nécessaires pour corriger les vices de matériaux ou de fabrication qui existaient déjà lorsque ce gros appareil ménager a été acheté. S'il est remplacé, l'appareil sera couvert pour la période restant à courir de la garantie limitée d'un an du produit d'origine.

LE SEUL ET EXCLUSIF RECOURS DU CLIENT DANS LE CADRE DE LA PRÉSENTE GARANTIE LIMITÉE CONSISTE EN LA RÉPARATION PRÉVUE PAR LA PRÉSENTE. Le service doit être fourni par une compagnie de service désignée par Jenn-Air. Cette garantie limitée est valide uniquement aux États-Unis ou au Canada et s'applique exclusivement lorsque le gros appareil ménager est utilisé dans le pays où il a été acheté. La présente garantie limitée est valable à compter de la date d'achat initial par le consommateur. Une preuve de la date d'achat initial est exigée pour obtenir un dépannage dans le cadre de la présente garantie limitée.

### CE QUI N'EST PAS COUVERT

1. Usage commercial, non résidentiel ou par plusieurs familles, ou non-respect des instructions de l'utilisateur, de l'opérateur ou des instructions d'installation.
2. Visite d'instruction à domicile pour montrer à l'utilisateur comment utiliser l'appareil.
3. Visites de service pour rectifier une installation ou un entretien fautifs du produit, une installation non conforme aux codes d'électricité ou de plomberie, ou la rectification de l'installation électrique ou de la plomberie du domicile (ex : câblage électrique, fusibles ou tuyaux d'arrivée d'eau du domicile).
4. Pièces consommables (ex : ampoules, batteries, filtres à air ou à eau, solutions de conservation, etc.).
5. Défauts ou dommage résultant de l'utilisation de pièces ou accessoires Jenn-Air non authentiques.
6. Conversion de votre produit du gaz naturel ou du gaz de pétrole liquéfié.
7. Dommages causés par : accident, mésusage, abus, incendie, inondations, catastrophe naturelle ou l'utilisation de produits non approuvés par Jenn-Air.
8. Réparations aux pièces ou systèmes dans le but de rectifier un dommage ou des défauts résultant d'une réparation, altération ou modification non autorisée faite à l'appareil.
9. Défauts d'apparence, notamment les éraflures, traces de choc, fissures ou tout autre dommage causés au fini de l'appareil ménager, à moins que ces dommages ne résultent de vices de matériaux ou de fabrication et ne soient signalés à Jenn-Air dans les 30 jours suivant la date d'achat.
10. Décoloration, rouille ou oxydation des surfaces résultant d'environnements caustiques ou corrosifs incluant des concentrations élevées de sel, un haut degré d'humidité ou une exposition à des produits chimiques.
11. Perte d'aliments ou de médicaments due à la défaillance du produit.
12. Enlèvement ou livraison. Ce produit est conçu pour être réparé au domicile.
13. Frais de déplacement et de transport pour le dépannage/la réparation dans une région éloignée où une compagnie de service Jenn-Air autorisée n'est pas disponible.
14. Retrait ou réinstallation d'appareils inaccessibles ou de dispositifs préinstallés (ex : garnitures, panneaux décoratifs, plancher, meubles, îlots de cuisine, plans de travail, panneaux de gypse, etc.) qui entravent le dépannage, le retrait ou le remplacement du produit.
15. Service et pièces pour des appareils dont les numéros de série et de modèle originaux ont été enlevés, modifiés ou ne peuvent pas être facilement identifiés.

**Le coût d'une réparation ou d'un remplacement dans le cadre de ces circonstances exclues est à la charge du client.**

## CLAUSE D'EXONÉRATION DE RESPONSABILITÉ AU TITRE DES GARANTIES IMPLICITES

LES GARANTIES IMPLICITES, Y COMPRIS LES GARANTIES APPLICABLES DE QUALITÉ MARCHANDE OU D'APTITUDE À UN USAGE PARTICULIER, SONT LIMITÉES À UN AN OU À LA PLUS COURTE PÉRIODE AUTORISÉE PAR LA LOI. Certains États et provinces ne permettent pas de limitation sur la durée des garanties implicites de qualité marchande ou d'aptitude à un usage particulier, de sorte que la limitation ci-dessus peut ne pas être applicable dans votre cas. Cette garantie vous confère des droits juridiques spécifiques et vous pouvez également jouir d'autres droits qui peuvent varier d'une juridiction à l'autre.

## EXONÉRATION DE RESPONSABILITÉ DANS LES DOMAINES NON COUVERTS PAR LA GARANTIE

Jenn-Air décline toute responsabilité au titre de la qualité, de la durabilité ou en cas de dépannage ou de réparation nécessaire sur ce gros appareil ménager autre que les responsabilités énoncées dans la présente garantie. Si vous souhaitez une garantie plus étendue ou plus complète que la garantie limitée fournie avec ce gros appareil ménager, adressez-vous à Jenn-Air ou à votre détaillant pour obtenir les modalités d'achat d'une garantie étendue.

## LIMITATION DES RECOURS; EXCLUSION DES DOMMAGES FORTUITS OU INDIRECTS

LE SEUL ET EXCLUSIF RECOURS DU CLIENT DANS LE CADRE DE LA PRÉSENTE GARANTIE LIMITÉE CONSISTE EN LA RÉPARATION PRÉVUE PAR LA PRÉSENTE. JENN-AIR N'ASSUME AUCUNE RESPONSABILITÉ POUR LES DOMMAGES FORTUITS OU INDIRECTS. Certains États et certaines provinces ne permettent pas l'exclusion ou la limitation des dommages fortuits ou indirects de sorte que ces limitations et exclusions peuvent ne pas être applicables dans votre cas. Cette garantie vous confère des droits juridiques spécifiques et vous pouvez également jouir d'autres droits qui peuvent varier d'une juridiction à l'autre.

---

## Notes

---

## Notes

