

# INSTALLATION INSTRUCTIONS 27" (68.6 CM) AND 30" (76.2 CM) ELECTRIC SINGLE AND DOUBLE BUILT-IN OVEN FLUSH INSTALLATION KIT

## INSTRUCTIONS D'INSTALLATION ENSEMBLE D'INSTALLATION EN AFFLEUREMENT POUR FOUR ÉLECTRIQUE ENCASTRÉ SIMPLE ET DOUBLE DE 27" (68,6 CM) ET 30" (76,2 CM)

### 27" (68.6 cm) Flush Installation Kits Ensembles d'installation en affleurement de 27" (68,6 cm)

	Black Noir	Stainless Steel Acier inoxydable	Stainless Steel/ Acier inoxydable, RISE™/NOIR™
Model# Modèle n°	Kit PN/ Ensemble référence: W10791232	Kit PN/ Ensemble référence: W10791228	Kit PN/ Ensemble référence: W11357761
JJW2427DB, JJW2827DB	**	*	*
JJW2427DS, JJW2827DS, JJW2727DS	*	**	*
JJW2427IM, JJW2427IL, JJW2827IM, JJW2827IL	*	*	**

### 30" (76.2 cm) Flush Installation Kits Ensembles d'installation en affleurement de 30" (76,2 cm)

	Black Noir		Stainless Steel Acier inoxydable		Stainless Steel/ Acier inoxydable, RISE™/NOIR™	
Model# Modèle n°	Kit PN Ensemble référence: W10791233	Kit PN Ensemble référence: W10837578	Kit PN Ensemble référence: W10791229	Kit PN Ensemble référence: W10837579	Kit PN Ensemble référence: W11357756	Kit PN Ensemble référence: W11357769
JJW2430DS, JJW2430DP, JJW2830DS, JJW2830DP, JJW2730DS	*		**		*	
JJW2430DB, JJW2830DB	**		*		*	
JJW2430IM, JJW2430IL, JJW2830IM, JJW2830IL	*		*		**	
JJW3430DS, JJW3430DP, JJW3830DS, JJW3830DP		*		**		*
JJW3430IM, JJW3430IL, JJW3830IM, JJW3830IL		*		*		**
JJW3430DB, JJW3830DB		**		*		*

- \* Approved for use.
- \*\* Recommended color and approved for use.
- \* Approuvé pour l'utilisation.
- \*\* Couleur recommandée et approuvé pour l'utilisation.

**IMPORTANT:**

Save for local electrical inspector's use.

**IMPORTANT:**

À conserver pour consultation par l'inspecteur local des installations électriques.

**W11356314A**

In some European factories the letter "W" of the part code mentioned herein will be automatically replaced by the number "4000" (e.g. "W12345678" becomes "400012345678")

## Table of Contents/Table des matières

<b>BUILT-IN OVEN SAFETY</b> .....	2	<b>SÉCURITÉ DU FOUR ENCASTRÉ</b> .....	11
<b>INSTALLATION REQUIREMENTS</b> .....	2	<b>EXIGENCES D'INSTALLATION</b> .....	12
Tools and Parts.....	2	Outillage et pièces.....	12
Location Requirements.....	3	Exigences d'emplacement.....	12
<b>INSTALLATION INSTRUCTIONS</b> .....	5	<b>INSTRUCTIONS D'INSTALLATION</b> .....	15
Prepare Built-In Oven.....	5	Préparation du four encastré .....	15
Remove Oven Door(s).....	5	Dépose de la/des porte(s) du four .....	15
Replace Oven Door(s).....	6	Réinstallation de la/des porte(s) du four .....	16
Positioning Oven Feet .....	7	Positionnement des pieds du four.....	17
Replace Plastic Spacers .....	8	Remplacement des cales d'espacement en plastique .....	18
Install Oven.....	9	Installation du four.....	19
Install Deflector Kit Bracket .....	9	Installation du support de la trousse du déflecteur.....	19
Complete Installation .....	10	Achever l'installation .....	20

## BUILT-IN OVEN SAFETY

### Your safety and the safety of others are very important.

We have provided many important safety messages in this manual and on your appliance. Always read and obey all safety messages.



This is the safety alert symbol.

This symbol alerts you to potential hazards that can kill or hurt you and others.

All safety messages will follow the safety alert symbol and either the word "DANGER" or "WARNING."

These words mean:

**⚠ DANGER**

You can be killed or seriously injured if you don't immediately follow instructions.

**⚠ WARNING**

You can be killed or seriously injured if you don't follow instructions.

All safety messages will tell you what the potential hazard is, tell you how to reduce the chance of injury, and tell you what can happen if the instructions are not followed.

## INSTALLATION REQUIREMENTS

### Tools and Parts

Gather the required tools and parts before starting installation. Read and follow the instructions provided.

#### Tools Needed

- Phillips screwdriver
- Measuring tape
- Drill (for wall cabinet installations)
- 1/8" (3.1 mm) drill bit (for wall cabinet installations)
- Level
- Flat-blade screwdriver

#### Parts Supplied With Your Built-In Oven

- #8-14 x 1" (2.5 cm) screws - (2) single ovens, (4) double ovens included with built-in oven
- (2) #8-18 x 3/8" (9.5 mm) screws - bottom vent included with built-in oven
- (4) #8-18 x 3/8" (9.5 mm) screws - included with built-in oven
- Bottom vent included with built-in oven
- (2) Feet double oven included with built-in oven
- (2) Front feet double oven included with built-in oven

## Parts Supplied

- Deflector bracket



- Plastic spacers - (4) single ovens, (6) double ovens



- #8-18 x 1/4" (6.3 mm) screws - (2) for 27" (68.6 cm) models; (4) for 30" (76.2 cm) models

## Location Requirements

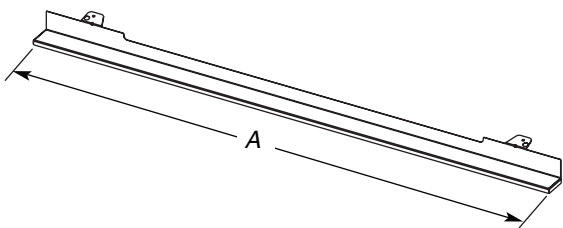
**IMPORTANT:** Observe all governing codes and ordinances.

**NOTE:** Refer to the following "Location Requirements" and the "Location Requirements" section of the Installation Instructions provided with your built-in oven.

- Cabinet opening dimensions that are shown must be used. Given dimensions provide minimum clearance with oven.
- Recessed installation area must provide complete enclosure around the recessed portion of the oven.
- Oven support surface must be solid, level, and flush with bottom of the cabinet cutout.
- Floor must be able to support a single oven weight of 180 lbs (82 kg).
- Floor must be able to support a double oven weight of 357 lbs (162 kg)

**IMPORTANT:** To avoid damage to your cabinets, check with your builder or cabinet supplier to make sure that the materials used will not discolor, delaminate, or sustain other damage. This oven has been designed in accordance with the requirements of UL and CSA International and complies with the maximum allowable wood cabinet temperatures of 194°F (90°C).

## Deflector Bracket Dimensions



### 27" (68.6 cm) Models

A. 26<sup>15</sup>/<sub>16</sub>" (68.4 cm) overall width

### 30" (76.2 cm) Models

A. 29<sup>15</sup>/<sub>16</sub>" (76.0 cm) overall width

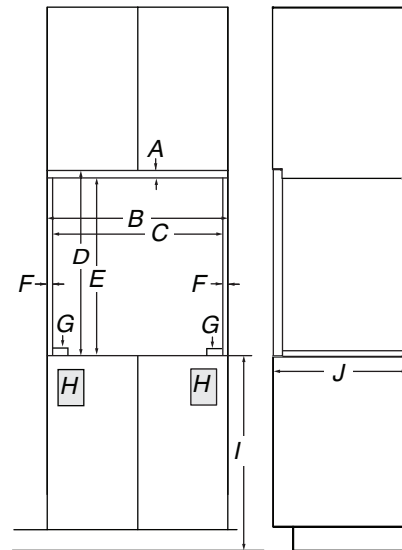
## Cabinet Dimensions - Single Ovens, Flush Installations

A 25" (63.5 cm) minimum cutout depth is required.

These dimensions will result in a 1/4" (6.3 mm) reveal on the top, a 1/4" (6.3 mm) reveal on the sides, and a 1/8" (3.1 mm) reveal on the bottom of the wall oven.

The front face of the cleats and platform will be visible and should be treated as a finished surface.

## Single Ovens Installed in Cabinet - Flush Installation



Front View

Side View

### 27" (68.6 cm) Models

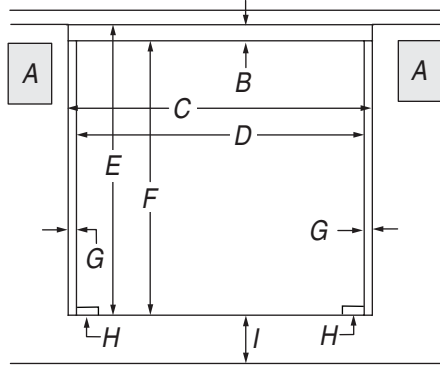
- A. 3/4" (19 mm) top cleat\*
- B. 27<sup>1</sup>/<sub>4</sub>" (69.2 cm) minimum width of flush inset cutout
- C. 25<sup>7</sup>/<sub>8</sub>" (65.7 cm) minimum width of opening
- D. 30<sup>7</sup>/<sub>16</sub>" (77.3 cm) minimum height of flush inset cutout
- E. 29<sup>11</sup>/<sub>16</sub>" (75.4 cm) recommended cutout height
- F. 11<sup>1</sup>/<sub>16</sub>" (1.7 cm) side cleat\*
- G. 1/2" x 2" (1.3 cm x 5.1 cm) spacer the entire depth of the cutout\*
- H. Recommended junction box location
- I. 4<sup>5</sup>/<sub>8</sub>" - 32" (11.7 cm - 81.3 cm) bottom of cutout to floor
- J. 25" (63.5 cm) minimum depth of cutout

### 30" (76.2 cm) Models

- A. 3/4" (19 mm) top cleat\*
- B. 30<sup>1</sup>/<sub>4</sub>" (76.8 cm) minimum width of flush inset cutout
- C. 28<sup>7</sup>/<sub>8</sub>" (73.3 cm) minimum width of opening
- D. 30<sup>7</sup>/<sub>16</sub>" (77.3 cm) minimum height of flush inset cutout
- E. 29<sup>11</sup>/<sub>16</sub>" (75.4 cm) recommended cutout height
- F. 11<sup>1</sup>/<sub>16</sub>" (1.7 cm) side cleat\*
- G. 1/2" x 2" (1.3 cm x 5.1 cm) spacer the entire depth of the cutout\*
- H. Recommended junction box location
- I. 4<sup>5</sup>/<sub>8</sub>" - 32" (11.7 cm - 81.3 cm) bottom of cutout to floor
- J. 25" (63.5 cm) minimum depth of cutout

\*Cleats and spacers must be recessed 1<sup>3</sup>/<sub>8</sub>" (3.5 cm) from the front of the cabinet.

**Single Ovens Undercounter - Flush Installations  
(without cooktop installed above)**



**Front View**

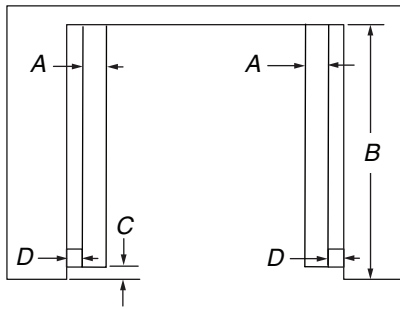
**27" (68.6 cm) Models**

- A. Recommended junction box location
- B. 3/4" (1.9 cm) top cleat\*
- C. 27<sup>1</sup>/<sub>4</sub>" (69.2 cm) minimum width of flush inset cutout
- D. 25<sup>7</sup>/<sub>8</sub>" (65.7 cm) minimum width of opening
- E. 30<sup>7</sup>/<sub>16</sub>" (77.3 cm) minimum height of flush inset cutout
- F. 29<sup>1</sup>/<sub>16</sub>" (75.4 cm) recommended cutout height
- G. 11/16" (1.7 cm) side cleat\*
- H. 1/2" x 2" (1.3 cm x 5.1 cm) spacer the entire depth of the cutout\*
- I. 4<sup>1</sup>/<sub>16</sub>" (10.3 cm) bottom of cutout to floor

**30" (76.2 cm) Models**

- A. Recommended junction box location
- B. 3/4" (1.9 cm) top cleat\*
- C. 30<sup>1</sup>/<sub>4</sub>" (76.8 cm) minimum width of flush inset cutout
- D. 28<sup>7</sup>/<sub>8</sub>" (73.3 cm) minimum width of opening
- E. 30<sup>7</sup>/<sub>16</sub>" (77.3 cm) minimum height of flush inset cutout
- F. 29<sup>1</sup>/<sub>16</sub>" (75.4 cm) recommended cutout height
- G. 11/16" (1.7 cm) side cleat\*
- H. 1/2" x 2" (1.3 cm x 5.1 cm) spacer the entire depth of the cutout\*
- I. 4<sup>1</sup>/<sub>16</sub>" (10.3 cm) bottom of cutout to floor

\*Cleats and spacers must be recessed 1<sup>3</sup>/<sub>8</sub>" (3.5 cm) from the front of the cabinet.



**Top View**

**27" (68.6 cm) Models**

- A. 1/2" x 2" (1.3 cm x 5.1 cm) spacer the entire depth of the cutout\*
- B. 25" (63.5 cm) depth of cutout
- C. 1<sup>3</sup>/<sub>8</sub>" (3.5 cm) recess from front of cabinet
- D. 11/16" (1.7 cm) side cleat\*

**30" (76.2 cm) Models**

- A. 1/2" x 2" (1.3 cm x 5.1 cm) spacer the entire depth of the cutout\*
- B. 25" (63.5 cm) depth of cutout
- C. 1<sup>3</sup>/<sub>8</sub>" (3.5 cm) recess from front of cabinet
- D. 11/16" (1.7 cm) side cleat\*

\*Cleats and spacers must be recessed 1<sup>3</sup>/<sub>8</sub>" (3.5 cm) from the front of the cabinet.

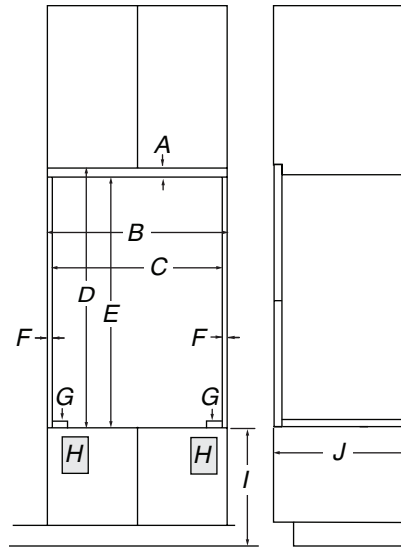
**Cabinet Dimensions - Double Ovens, Flush Installations**

A 25" (63.5 cm) minimum cutout depth is required.

These dimensions will result in a 1/4" (6.3 mm) reveal on the top, a 1/4" (6.3 mm) reveal on the sides, and a 1/8" (3.1 mm) reveal on the bottom of the wall oven.

The front face of the cleats and platform will be visible and should be treated as a finished surface.

**Double Ovens Installed in Cabinet - Flush Installations**



**Front View**

**Side View**

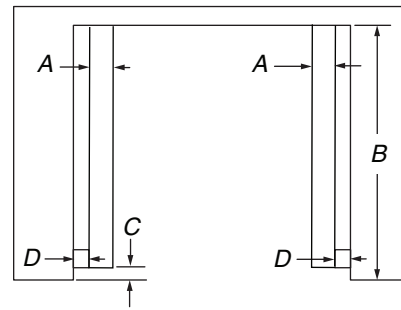
**27" (68.6 cm) Models**

- A. 9/16" (1.4 cm) top cleat\*
- B. 27<sup>1</sup>/<sub>4</sub>" (69.2 cm) minimum width of flush inset cutout
- C. 25<sup>7</sup>/<sub>8</sub>" (65.7 cm) minimum width of opening
- D. 53<sup>3</sup>/<sub>16</sub>" (135.1 cm) minimum height of flush inset cutout
- E. 52<sup>5</sup>/<sub>8</sub>" (133.6 cm) recommended cutout height
- F. 11/16" (1.7 cm) side cleat\*
- G. 1/2" x 2" (1.3 cm x 5.1 cm) spacer the entire depth of the cutout\*
- H. Recommended junction box location
- I. 4<sup>5</sup>/<sub>8</sub>" - 14<sup>3</sup>/<sub>4</sub>" (11.7 - 37.5 cm) bottom of cutout to floor
- J. 25" (63.5 cm) minimum depth of cutout

**30" (76.2 cm) Models**

- A. 9/16" (1.4 cm) top cleat\*
- B. 30<sup>1</sup>/<sub>4</sub>" (76.8 cm) minimum width of flush inset cutout
- C. 28<sup>7</sup>/<sub>8</sub>" (73.3 cm) minimum width of opening
- D. 53<sup>3</sup>/<sub>16</sub>" (135.1 cm) minimum height of flush inset cutout
- E. 52<sup>5</sup>/<sub>8</sub>" (133.6 cm) recommended cutout height
- F. 11/16" (1.7 cm) side cleat\*
- G. 1/2" x 2" (1.3 cm x 5.1 cm) spacer the entire depth of the cutout\*
- H. Recommended junction box location
- I. 4<sup>5</sup>/<sub>8</sub>" - 14<sup>3</sup>/<sub>4</sub>" (11.7 - 37.5 cm) bottom of cutout to floor
- J. 25" (63.5 cm) minimum depth of cutout

\*Cleats and spacers must be recessed 1<sup>3</sup>/<sub>8</sub>" (3.5 cm) from the front of the cabinet.



**Top View**

**27" (68.6 cm) Models**

- A. 1/2" x 2" (1.3 cm x 5.1 cm) spacer the entire depth of the cutout\*
- B. 25" (63.5 cm) depth of cutout
- C. 1<sup>3</sup>/<sub>8</sub>" (3.5 cm) recess from front of cabinet
- D. 11/16" (1.7 cm) side cleat\*

**30" (76.2 cm) Models**

- A. 1/2" x 2" (1.3 cm x 5.1 cm) spacer the entire depth of the cutout\*
- B. 25" (63.5 cm) depth of cutout
- C. 1<sup>3</sup>/<sub>8</sub>" (3.5 cm) recess from front of cabinet
- D. 11/16" (1.7 cm) side cleat\*

\*Cleats and spacers must be recessed 1<sup>3</sup>/<sub>8</sub>" (3.5 cm) from the front of the cabinet.

# INSTALLATION INSTRUCTIONS

## Prepare Built-In Oven

### NOTES:

- Use these Installation Instructions in conjunction with the Installation Instructions provided with your built-in oven.
  - Refer and adhere to the "Electrical Requirements" section and complete the instructions in the "Make Electrical Connection" section of the Installation Instructions provided with your built-in oven.
1. Decide on the final location for the oven. Avoid drilling or cutting into house wiring during installation.

## **⚠ WARNING**

### **Excessive Weight Hazard**

**Use two or more people to move and install oven.**

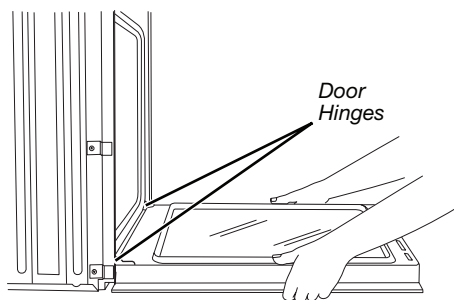
**Failure to do so can result in back or other injury.**

2. To avoid floor damage, set the oven onto cardboard prior to installation. Do not use the handle or any portion of the front frame for lifting.
3. Remove the shipping materials and tape from the oven. Remember to keep the corner posts and other materials that may be needed for installation.
4. Remove the hardware package from inside the bag containing literature.
5. Move oven and cardboard close to the oven's final location.

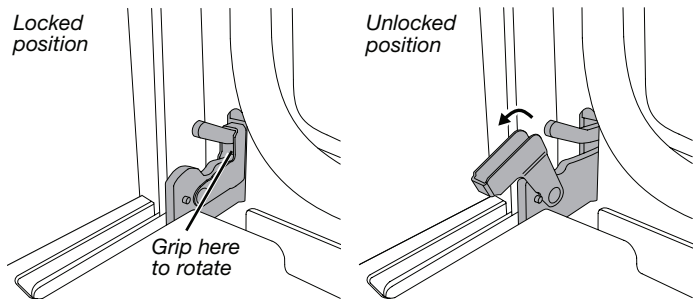
## Remove Oven Door(s)

**IMPORTANT:** Use two hands to remove the oven door(s).

1. Prior to removing the oven door, prepare a surface where you will place it. This surface should be flat and covered with a soft blanket, or use the corner posts from your packaging material.
2. Fully open the oven door.



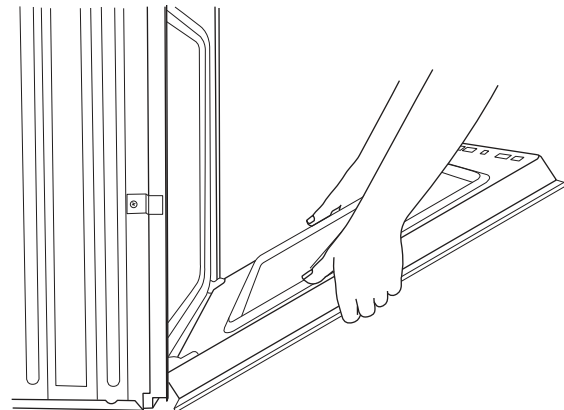
3. Locate the oven door hinge locks in both corners of the oven door, and rotate the hinge locks toward the oven door to the unlocked position. If the door hinge lock is not rotated fully (see illustration B), the door will not remove properly.



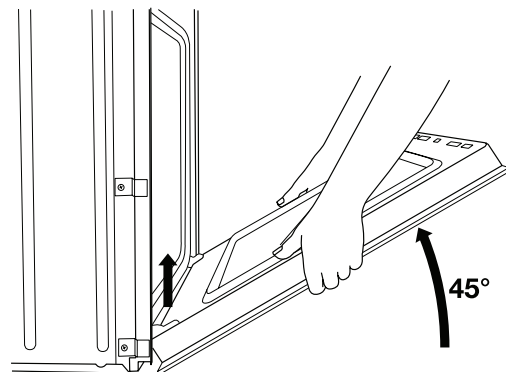
A. Oven door hinge lock in locked position

B. Oven door hinge lock in partially unlocked position

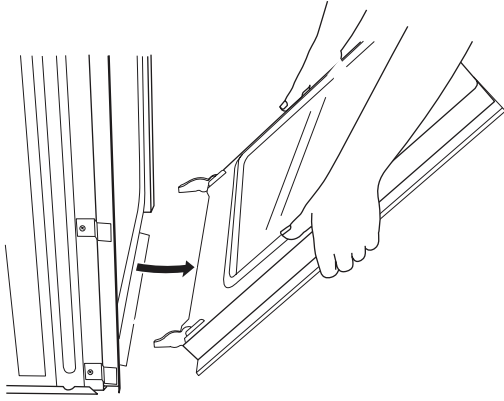
4. Gently start to close the door. The door will stop at a partially closed position.



5. Using two hands, grasp the edges of the oven door. Close the oven door slightly past the stop position to take the weight off of the door hinges, and then pull the oven door up.



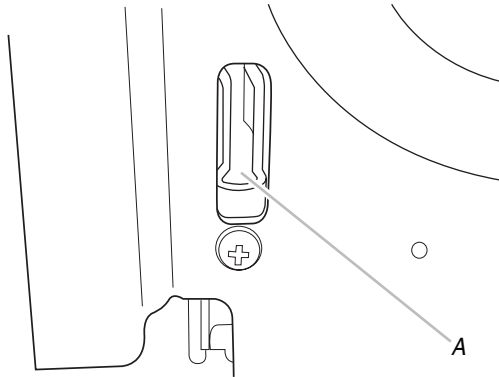
- Pull the oven door toward you and then remove. You may need to gently shift door from side to side as you pull.



- Set the oven door aside on the prepared covered work surface with the oven door resting on its handle.
- To continue with the oven installation, go to the "Positioning Oven Feet" section.

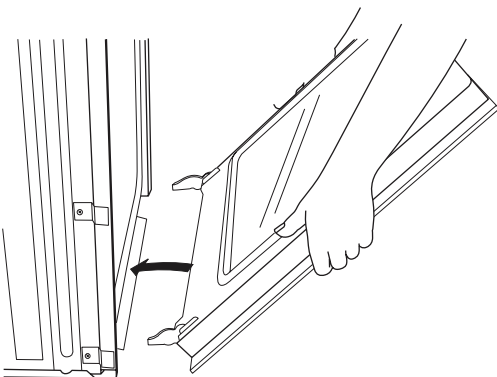
## Replace Oven Door(s)

- Using two hands, grasp the side edges of the door at the midpoint. Face the oven cavity.
- Locate the slots on each side of the oven front frame for the door hinge locks.

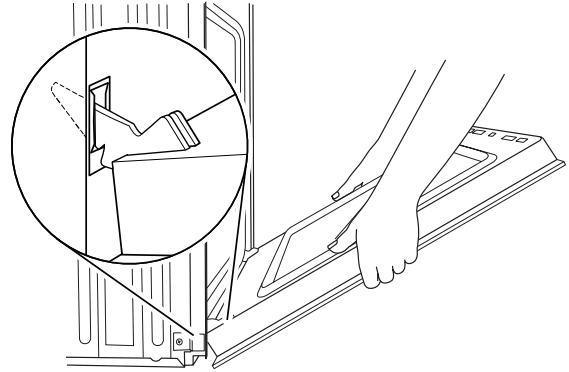


A. Slot in the oven cavity for door hinge lock

- Using two hands, grasp the edges of the oven door. At a 45° angle, insert the hinges at the same time and push the oven door into the oven cavity slot to replace. You may need to gently shift the door from side to side as you push.

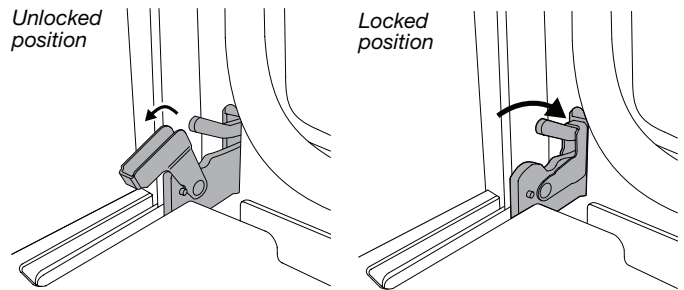


- Make sure the door hinge notch is engaged on the bottom of the oven cavity slot.



**IMPORTANT:** Do not close the door at this step or damage may occur to the door hinge.

- Lower the oven door to the fully open position. If the oven door does not open to a full 90°, repeat steps 1 through 3.
- Locate the oven door hinge locks in the corners of the oven door, and rotate the hinge locks toward the oven cavity to the locked position.



- After the door hinges have been locked, gently swing the door upward to close. The door should not be forced closed.
- When the hinges are properly installed and the door is closed, there should be an even gap between the door and the control panel. If one side of the oven door is lower than the other, the hinge on that side is not properly installed. See "Remove Oven Door" and "Replace Oven Door."

# Positioning Oven Feet

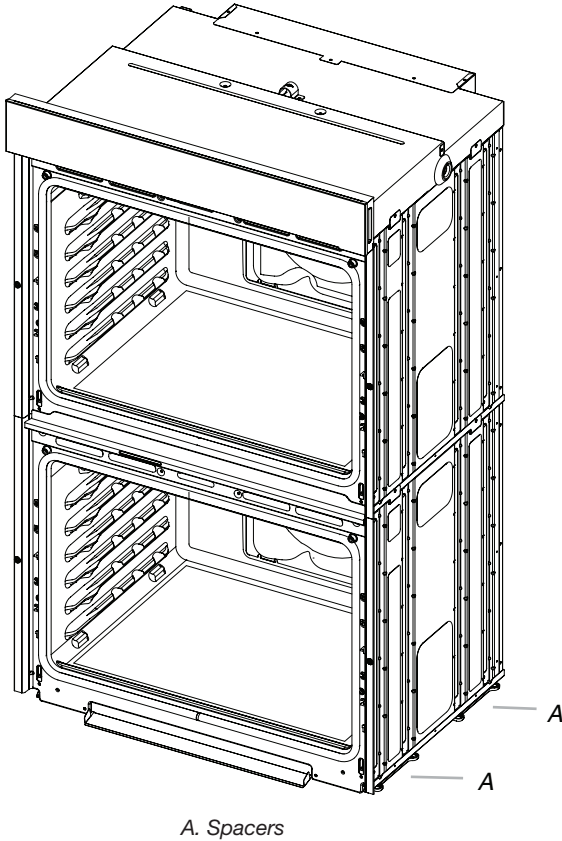
## Single Ovens

The positioning of the oven feet allow a single oven to be installed in a recommended cutout height of 28½" (72.4 cm). Refer and adhere to the "Make Electrical Connection" section in the Installation Instructions provided with your built-in oven.

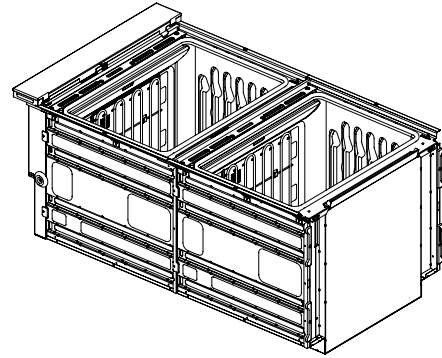
## Double Ovens

The oven feet allow a double oven to be installed in a recommended cutout height of 51⅞" (130.6 cm).

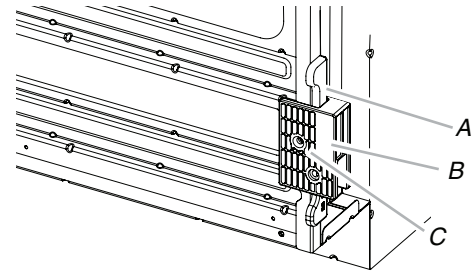
**NOTE:** Do not remove the spacers.



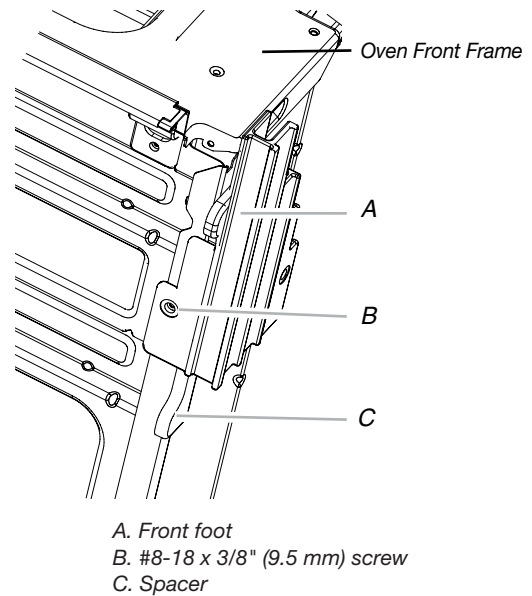
1. Using two or more people, place the oven on its back on a covered surface.



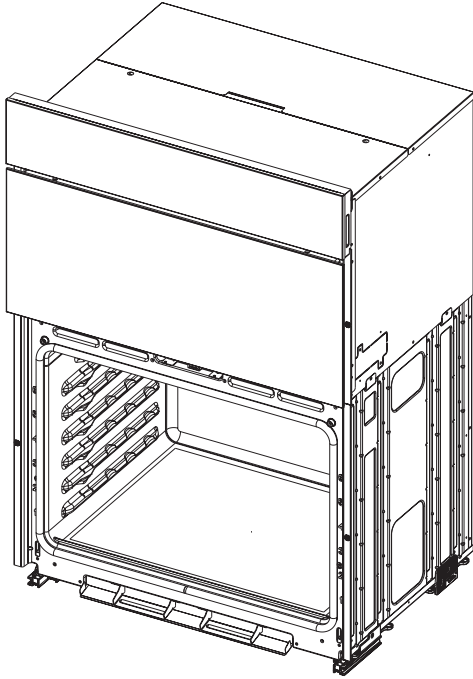
2. Install a foot on the left rear spacer using a #8-18 x 3/8" (9.5 mm) screw.  
**NOTE:** Position the foot so the long side of the foot is facing toward the top of the oven.



3. In the same manner, install a foot on the right rear of the oven.
4. Install a front foot on the left front spacer using a #8-18 x 3/8" (9.5 mm) screw.  
**NOTE:** Position the foot so the long side of the foot is facing toward the inside of the oven.



- In the same manner, install a front foot on the right front of the oven.
- Using two or more people, place the oven in its upright position.

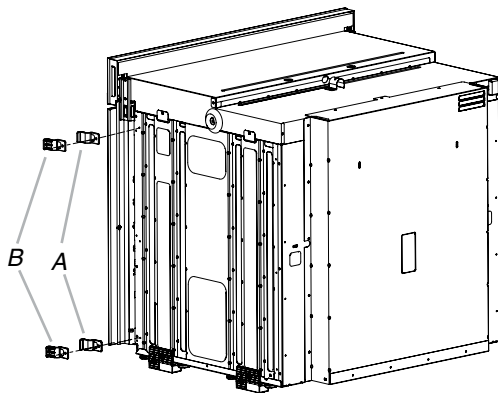


- Go to the "Make Electrical Connection" section in the Installation Instructions provided with your built-in oven.

## Replace Plastic Spacers

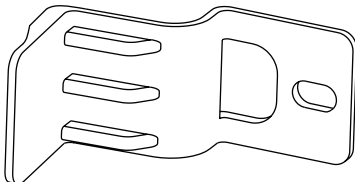
### Replace Plastic Spacers on Single Ovens

- Remove the 2 screws, 1 in each spacer, attaching the 2 plastic spacers (A) to the right side of the oven.
- Using the 2 screws removed, install 2 new plastic spacers (B) provided with this kit.



A. Plastic spacer  
B. New plastic spacer

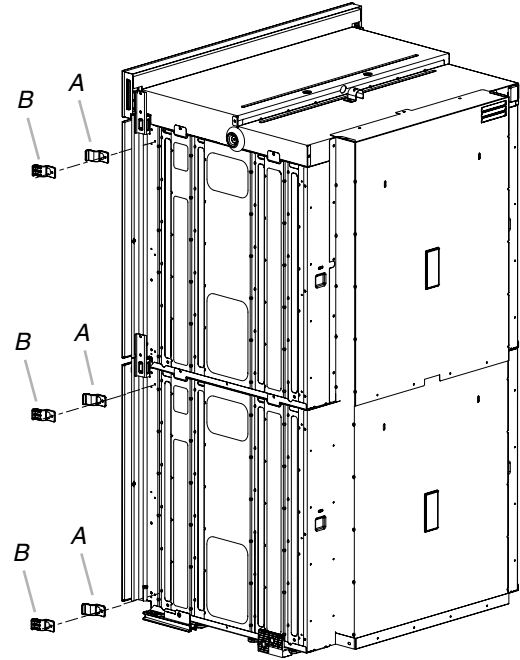
- In the same manner, remove and replace the 2 plastic spacers on the left side of the oven..



B. New plastic spacer

### Replace Plastic Spacers on Double Ovens

- Remove the 3 screws, 1 in each spacer, attaching the 3 plastic spacers (A) to the right side of the oven.
- Using the 3 screws removed, install 3 new plastic spacers (B) provided with this kit.



A. Plastic spacer  
B. New plastic spacer

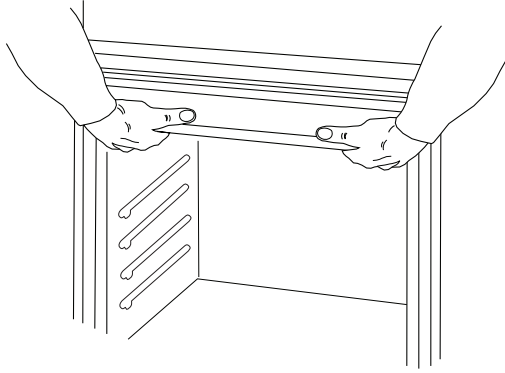
- In the same manner, remove and replace the 3 plastic spacers on the left side of the oven.



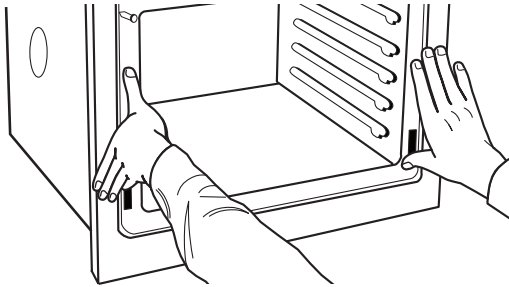
## Install Oven

- Using two or more people, lift the oven partially into the cabinet cutout. Use the oven opening as an area to grip.

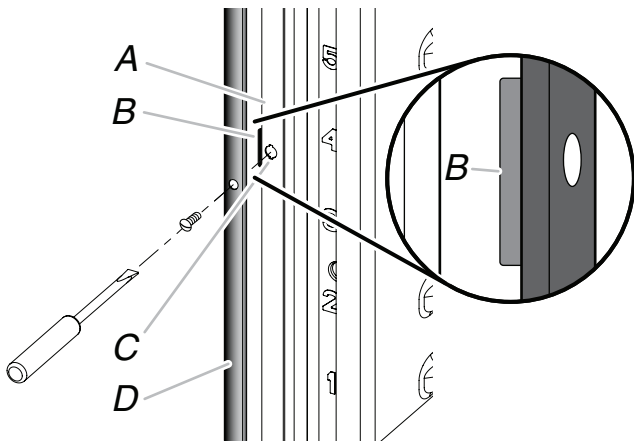
**NOTE:** When pushing the microwave oven into the cabinet, open the microwave oven door and push against the seal area on the front frame. Do not push against the outside edges.



- Push against the front frame of the microwave oven to push oven into cabinet.



- Push oven completely into the cabinet and center the oven into the cabinet cutout.
- Remove the tape from the black front trims and remove the zip tie from the mounting spacer.
  - Securely fasten the oven to the cabinet using the #8-14 x 3/4" (1.9 cm) screws provided.
  - Insert the screws through holes in black trim aligning with holes in oven frame and mounting spacer already in place.



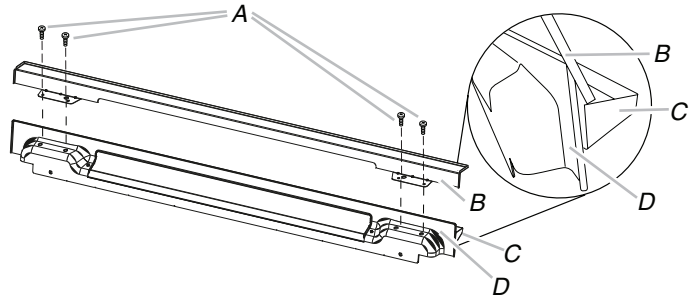
A. Oven Frame  
B. Mounting spacer  
C. Oven frame hole  
D. Black trim piece

## Install Deflector Kit Bracket

This assembly is required for use when a single or double built-in oven is installed in a flush installation

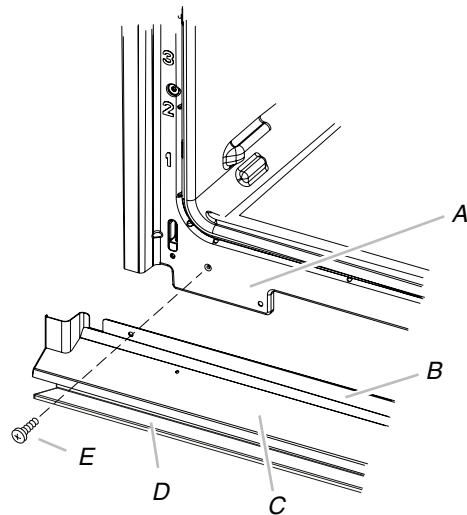
- Flex the upper vent piece (C) away from the lower vent piece (D) to slide the deflector bracket (B) between them. Some force may be required to flex the upper vent trim (C) away from the lower vent trim (D). Some force may also be required to flex the deflector bracket (B) and slide it into position. Make sure screw holes are properly aligned between the two pieces. See the following illustration.
- Install the deflector bracket (B) to the lower vent piece (D) using two #8-18 x 1/4" (6.3 mm) screws on each side.
 

**NOTE:** On 27" (68.6 cm) models, only one #8-18 x 1/4" (6.3 mm) screw is used on each side.



A. #8-18 x 1/4" (6.3 mm) screws  
B. Deflector bracket  
C. Upper vent piece (supplied with oven)  
D. Lower vent piece (supplied with oven)

- Align vent tab (B) with oven frame (A) as shown in the following illustration.
- Using one #8-18 x 3/8" (9.5 mm) screw (E) on each side of the vent tab (B), fasten the vent securely to the oven.



A. Oven frame  
B. Vent tab  
C. Oven vent  
D. Deflector bracket  
E. #8-18 x 3/8" (9.5 mm) screw

5. Replace the oven racks.
6. Replace the oven door. See the "Replace Oven Door(s)" section.
7. Check that the door is free to open and close. If it is not, repeat the removal and installation procedures. See the "Prepare Built-In Oven" section.
8. Repeat for lower oven door.
9. Reconnect power.
10. The display panel will light briefly, and "PF" should appear in the display.
11. If the display panel does not light, refer to the "Assistance or Service" section of the Use and Care Guide provided with your built-in oven or contact the dealer from whom you purchased your oven.

---

## Complete Installation

1. Check that all parts are now installed. If there is an extra part, go back through the steps to see which step was skipped.
2. Check that you have all of your tools.
3. Dispose of/recycle all packaging materials.
4. For oven use and cleaning, read the Use and Care Guide.

### Check Operation of Single and Double Ovens

1. Turn on power.
2. At first use, set up the clock and any other preferences if available. For more information, read the Use and Care Guide.
3. Press BROIL on single oven models.  
**NOTE:** Press UPPER BROIL or LOWER BROIL on double oven models.
4. Set the temperature.
5. Press START.

#### If oven(s) does not operate, check the following:

- Household fuse is intact and tight or circuit breaker has not tripped.
  - Electrical supply is connected.
  - See "Troubleshooting" section in the Use and Care Guide.
6. When oven has been on for 5 minutes, feel for heat.  
If you do not feel heat or if an error message appears in the display, turn off the oven and contact a qualified technician.
  7. Press UPPER CANCEL/LOWER CANCEL on double ovens, or press CANCEL on single ovens.

#### If you need Assistance or Service:

Please refer to the "Assistance or Service" section of the Use and Care Guide or contact the dealer from whom you purchased your built-in oven.

# SÉCURITÉ DU FOUR ENCASTRÉ

## Votre sécurité et celle des autres est très importante.

Nous donnons de nombreux messages de sécurité importants dans ce manuel et sur votre appareil ménager. Assurez-vous de toujours lire tous les messages de sécurité et de vous y conformer.



Voici le symbole d'alerte de sécurité.

Ce symbole d'alerte de sécurité vous signale les dangers potentiels de décès et de blessures graves à vous et à d'autres.

Tous les messages de sécurité suivront le symbole d'alerte de sécurité et le mot "DANGER" ou "AVERTISSEMENT". Ces mots signifient :

 **DANGER**

**Risque possible de décès ou de blessure grave si vous ne suivez pas immédiatement les instructions.**

 **AVERTISSEMENT**

**Risque possible de décès ou de blessure grave si vous ne suivez pas les instructions.**

Tous les messages de sécurité vous diront quel est le danger potentiel et vous disent comment réduire le risque de blessure et ce qui peut se produire en cas de non-respect des instructions.

# EXIGENCES D'INSTALLATION

## Outillage et pièces

Rassembler les outils et pièces nécessaires avant d'entreprendre l'installation. Lire et suivre les instructions suivantes.

### Outils nécessaires

- Tournevis Phillips
- Mètre ruban
- Perceuse (pour l'installation dans un placard mural)
- Foret de 1/8" (3,1 mm) (pour l'installation dans un placard mural)
- Niveau
- Tournevis à lame plate

### Pièces fournies avec votre four encastré

- Vis n° 8-14 x 1" (2,5 cm) – (2) four simple, (4) four double, fournies avec le four encastré
- (2) vis n° 8-18 x 3/8" (9,5 mm) - Évent inférieur, fournies avec le four encastré
- (4) vis n° 8-18 x 3/8" (9,5 mm) - Inclus avec le four encastré
- Évent inférieur fourni avec le four encastré
- (2) Pieds pour four double fournis avec le four encastré
- (2) Pieds avant pour four double fournis avec le four encastré

### Pièces fournies

- Support du déflecteur



- Cales d'espacement en plastique - (4) Four simple, (6) four double



- Vis n° 8-18 x 1/4" (6,3 mm) - (2) pour les modèles de 27" (68,6 cm); (4) pour les modèles de 30" (76,2 cm)

## Exigences d'emplacement

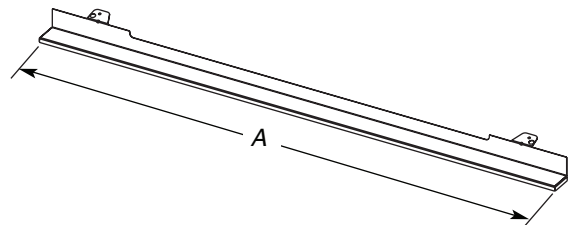
**IMPORTANT :** Observer les dispositions de tous les codes et règlements en vigueur.

**REMARQUE :** Consulter la section suivante "Exigences d'emplacement" et la section "Exigences d'emplacement" des instructions d'installation fournies avec le four encastré.

- Respecter les dimensions indiquées pour les ouvertures à découper dans les meubles. Ces dimensions tiennent compte des dégagements de séparation nécessaires pour le four.
- L'espace d'installation dans un encastrement doit permettre la formation d'une enceinte complète autour de la partie encastrée du four.
- La surface de support du four doit être robuste, horizontale et en affleurement avec le bas de l'ouverture découpée dans le placard.
- Le plancher doit pouvoir supporter un poids d'un seul four de 180 lb (82 kg).
- Le plancher doit pouvoir soutenir le poids d'un four double de 357 lb (162 kg).

**IMPORTANT :** Afin d'éviter d'endommager les placards, consulter l'installateur ou le fabricant des placards pour déterminer si les matériaux utilisés peuvent subir une décoloration, une déstratification ou d'autres dommages. Ce four a été conçu conformément aux exigences des normes UL et CSA International et respecte les températures maximales permises de 194 °F (90 °C) pour les placards en bois.

### Dimensions du support du déflecteur



**Modèles de 27" (68,6 cm)**

A. Largeur totale : 26 <sup>15</sup>/<sub>16</sub>"  
(68,4 cm)

**Modèles de 30" (76,2 cm)**

A. Largeur totale : 29 <sup>15</sup>/<sub>16</sub>"  
(76 cm)

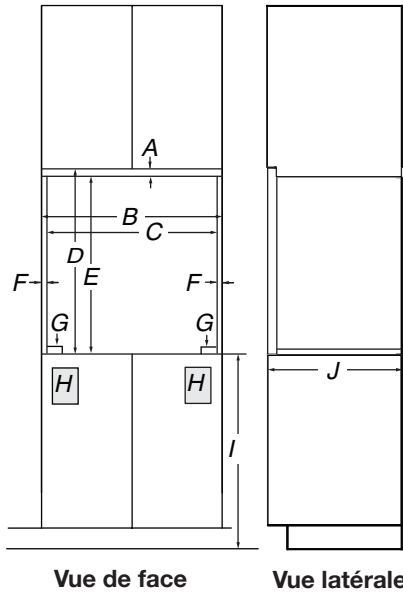
## Dimensions du placard - Fours simples, installations en affleurement

L'ouverture doit avoir une profondeur minimale de 25" (63,5 cm).

Ces dimensions donneront un dégagement de 1/4" (6,3 mm) au sommet, un dégagement de 1/4" (6,3 mm) sur les côtés et un dégagement de 1/8" (3,1 mm) au fond du four mural.

Le côté avant des tasseaux et de la plate-forme sera visible et doit être traité comme une surface de finition.

## Fours simples installés dans un placard - Installation en affleurement



### Modèles de 27" (68,6 cm)

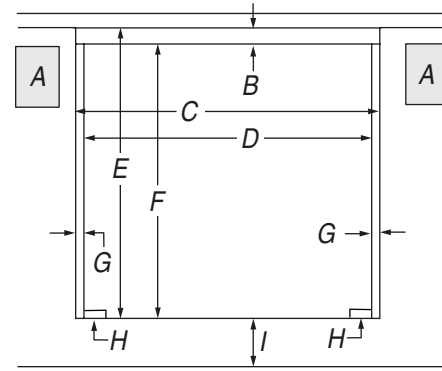
- A. Tasseau supérieur de 3/4" (1,9 cm)\*
- B. Largeur minimale de l'ouverture intégrée en affleurement : 27 1/4" (69,2 cm)
- C. Largeur minimale de l'ouverture : 25 7/8" (65,7 cm)
- D. Hauteur minimale de l'ouverture intégrée en affleurement : 30 7/16" (77,3 cm)
- E. Hauteur recommandée de l'ouverture : 29 7/16" (75,4 cm)
- F. Tasseau latéral : 11/16" (1,7 cm)\*
- G. Cale d'espacement sur la profondeur totale de l'ouverture : 1/2" x 2" (1,3 cm x 5,1 cm)
- H. Emplacement recommandé pour le boîtier de connexion
- I. 4 5/8" - 32" (11,7 cm - 81,3 cm) du fond de l'encastrement au plancher
- J. Profondeur minimale de l'ouverture : 25" (63,5 cm)

\*Les tasseaux et les cales d'espacement doivent être encastrés à 1 3/8" (3,5 cm) depuis l'avant du placard.

### Modèles de 30" (76,2 cm)

- A. Tasseau supérieur de 3/4" (1,9 cm)\*
- B. Largeur minimale de l'ouverture intégrée en affleurement : 30 1/4" (76,8 cm)
- C. Largeur minimale de l'ouverture : 28 7/8" (73,3 cm)
- D. Hauteur minimale de l'ouverture intégrée en affleurement : 30 7/16" (77,3 cm)
- E. Hauteur recommandée de l'ouverture : 29 7/16" (75,4 cm)
- F. Tasseau latéral : 11/16" (1,7 cm)\*
- G. Cale d'espacement sur la profondeur totale de l'ouverture : 1/2" x 2" (1,3 cm x 5,1 cm)
- H. Emplacement recommandé pour le boîtier de connexion
- I. 4 5/8" - 32" (11,7 cm - 81,3 cm) du fond de l'encastrement au plancher
- J. Profondeur minimale de l'ouverture : 25" (63,5 cm)

## Fours simples sous le plan de travail - Installations en affleurement (sans table de cuisson au-dessus)



Vue de face

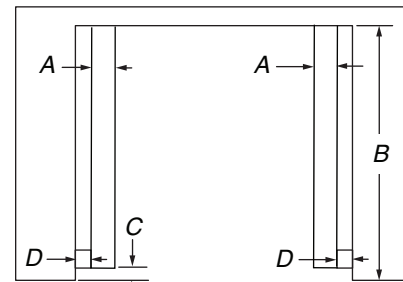
### Modèles de 27" (68,6 cm)

- A. Emplacement recommandé pour le boîtier de connexion
- B. Tasseau supérieur de 3/4" (1,9 cm)\*
- C. Largeur minimale de l'ouverture intégrée en affleurement : 27 1/4" (69,2 cm)
- D. Largeur minimale de l'ouverture : 25 7/8" (65,7 cm)
- E. Hauteur minimale de l'ouverture intégrée en affleurement : 30 7/16" (77,3 cm)
- F. Hauteur recommandée de l'ouverture : 29 7/16" (75,4 cm)
- G. Tasseau latéral : 11/16" (1,7 cm)\*
- H. Cale d'espacement sur la profondeur totale de l'ouverture : 1/2" x 2" (1,3 cm x 5,1 cm)
- I. 4 1/16" (10,3 cm) du fond de l'encastrement au plancher

### Modèles de 30" (76,2 cm)

- A. Emplacement recommandé pour le boîtier de connexion
- B. Tasseau supérieur de 3/4" (1,9 cm)\*
- C. Largeur minimale de l'ouverture intégrée en affleurement : 30 1/4" (76,8 cm)
- D. Largeur minimale de l'ouverture : 28 7/8" (73,3 cm)
- E. Hauteur minimale de l'ouverture intégrée en affleurement : 30 7/16" (77,3 cm)
- F. Hauteur recommandée de l'ouverture : 29 7/16" (75,4 cm)
- G. Tasseau latéral : 11/16" (1,7 cm)\*
- H. Cale d'espacement sur la profondeur totale de l'ouverture : 1/2" x 2" (1,3 cm x 5,1 cm)
- I. 4 1/16" (10,3 cm) du fond de l'encastrement au plancher

\*Les tasseaux et les cales d'espacement doivent être encastrés à 1 3/8" (3,5 cm) depuis l'avant du placard.



Vue de dessus

### Modèles de 27" (68,6 cm)

- A. Cale d'espacement sur la profondeur totale de l'ouverture : 1/2" x 2" (1,3 cm x 5,1 cm)
- B. Profondeur de l'ouverture : 25" (63,5 cm)
- C. Encastrement à partir de l'avant du placard : 1 3/8" (3,5 cm)
- D. Tasseau latéral : 11/16" (1,7 cm)\*

### Modèles de 30" (76,2 cm)

- A. Cale d'espacement sur la profondeur totale de l'ouverture : 1/2" x 2" (1,3 cm x 5,1 cm)
- B. Profondeur de l'ouverture : 25" (63,5 cm)
- C. Encastrement à partir de l'avant du placard : 1 3/8" (3,5 cm)
- D. Tasseau latéral : 11/16" (1,7 cm)\*

\*Les tasseaux et les cales d'espacement doivent être encastrés à 1 3/8" (3,5 cm) depuis l'avant du placard.

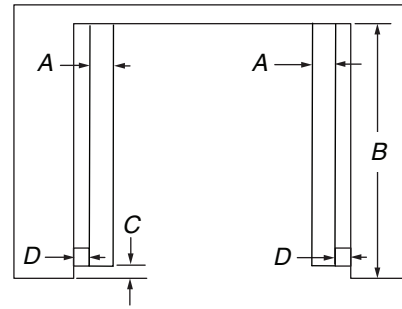
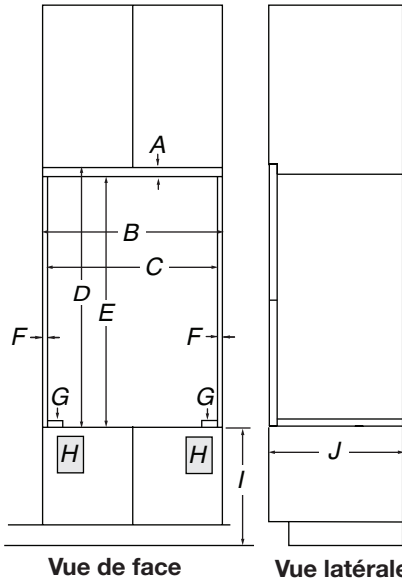
## Dimensions du placard - Fours doubles, installations en affleurement

L'ouverture doit avoir une profondeur minimale de 25" (63,5 cm).

Ces dimensions donneront un dégagement de 1/4" (6,3 mm) au sommet, un dégagement de 1/4" (6,3 mm) sur les côtés et un dégagement de 1/8" (3,1 mm) au fond du four mural.

Le côté avant des tasseaux et de la plate-forme sera visible et doit être traité comme une surface de finition.

### Fours doubles installés dans un placard - Installation en affleurement



Vue latérale

#### Modèles de 27" (68,6 cm)

- A. Cale d'espacement sur la profondeur totale de l'ouverture : 1/2" x 2" (1,3 cm x 5,1 cm)
- B. Profondeur de l'ouverture : 25" (63,5 cm)
- C. Encastrement à partir de l'avant du placard : 1 3/8" (3,5 cm)
- D. Tasseau latéral : 1 1/16" (1,7 cm)\*

#### Modèles de 30" (76,2 cm)

- A. Cale d'espacement sur la profondeur totale de l'ouverture : 1/2" x 2" (1,3 cm x 5,1 cm)
- B. Profondeur de l'ouverture : 25" (63,5 cm)
- C. Encastrement à partir de l'avant du placard : 1 3/8" (3,5 cm)
- D. Tasseau latéral : 1 1/16" (1,7 cm)\*

\*Les tasseaux et les cales d'espacement doivent être encastrés à 1 3/8" (3,5 cm) depuis l'avant du placard.

#### Modèles de 27" (68,6 cm)

- A. Tasseau supérieur de 9/16" (1,4 cm)\*
- B. Largeur minimale de l'ouverture intégrée en affleurement : 27 1/4" (69,2 cm)
- C. Largeur minimale de l'ouverture : 25 7/8" (65,7 cm)
- D. Hauteur minimale de l'ouverture intégrée en affleurement : 53 3/16" (135,1 cm)
- E. Hauteur recommandée de l'ouverture : 52 5/8" (133,6 cm)
- F. Tasseau latéral : 1 1/16" (1,7 cm)\*
- G. Cale d'espacement sur la profondeur totale de l'ouverture : 1/2" x 2" (1,3 cm x 5,1 cm)
- H. Emplacement recommandé pour le boîtier de connexion
- I. 4 5/8" - 14 3/4" (11,7 cm - 37,5 cm) du fond de l'encastrement au plancher
- J. Profondeur minimale de l'ouverture : 25" (63,5 cm)

#### Modèles de 30" (76,2 cm)

- A. Tasseau supérieur de 9/16" (1,4 cm)\*
- B. Largeur minimale de l'ouverture intégrée en affleurement : 30 1/4" (76,8 cm)
- C. Largeur minimale de l'ouverture : 28 7/8" (73,3 cm)
- D. Hauteur minimale de l'ouverture intégrée en affleurement : 53 3/16" (135,1 cm)
- E. Hauteur recommandée de l'ouverture : 52 5/8" (133,6 cm)
- F. Tasseau latéral : 1 1/16" (1,7 cm)\*
- G. Cale d'espacement sur la profondeur totale de l'ouverture : 1/2" x 2" (1,3 cm x 5,1 cm)
- H. Emplacement recommandé pour le boîtier de connexion
- I. 4 5/8" - 14 3/4" (11,7 cm - 37,5 cm) du fond de l'encastrement au plancher
- J. Profondeur minimale de l'ouverture : 25" (63,5 cm)

\*Les tasseaux et les cales d'espacement doivent être encastrés à 1 3/8" (3,5 cm) depuis l'avant du placard.

# INSTRUCTIONS D'INSTALLATION

## Préparation du four encastré

### REMARQUES :

- Utiliser ces instructions d'installation avec les instructions d'installation fournies avec votre four encastré.
  - Consulter et respecter les instructions de la section suivante "Spécifications électriques" et suivre les instructions de la section "Raccordement électrique" des instructions d'installation fournies avec le four encastré.
1. Choisir l'emplacement final pour l'installation du four. Éviter de percer ou de sectionner le câblage du domicile pendant l'installation.

## **AVERTISSEMENT**

### Risque du poids excessif

Utiliser deux ou plus de personnes pour déplacer et installer le four.

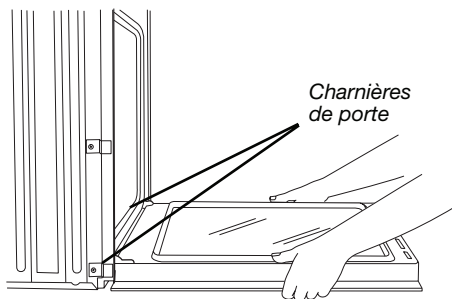
Le non-respect de cette instruction peut causer une blessure au dos ou d'autre blessure.

2. Pour éviter d'endommager le plancher, placer le four sur une feuille de carton avant l'installation. Pour soulever l'appareil, ne pas prendre prise sur la poignée ou sur une autre partie de l'avant du châssis.
3. Enlever les matériaux d'emballage et les rubans adhésifs du four. S'assurer de bien conserver les cornières de protection et autres matériaux pouvant être requis pour l'installation.
4. Enlever le matériel à l'intérieur du sachet de documentation.
5. Approcher le four et la feuille de carton de l'emplacement définitif du four.

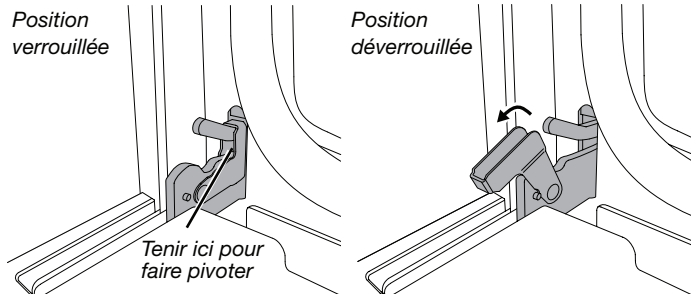
## Dépose de la/des porte(s) du four

**IMPORTANT :** Retirer la/les porte(s) du four avec les deux mains.

1. Avant de retirer la porte du four, préparer une surface sur laquelle on pourra la poser. Cette surface doit être plate et recouverte d'une couverture douce. On peut aussi utiliser les cornières de l'emballage.
2. Ouvrir complètement la porte du four.



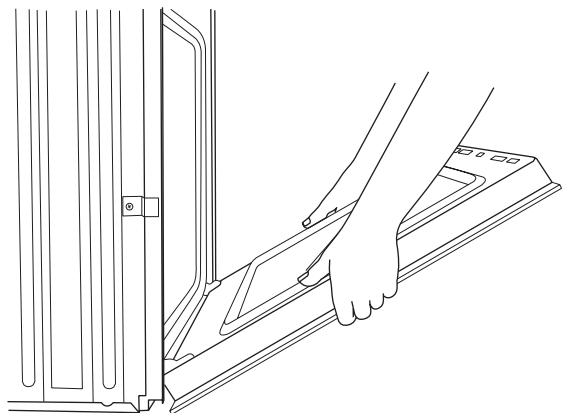
3. Identifier les loquets de charnière de la porte du four dans les deux angles de la porte; faire pivoter les loquets de charnière vers la porte du four jusqu'à la position de déverrouillage. Si le loquet de charnière de porte n'est pas complètement tourné (voir illustration B), la porte ne se retirera pas correctement.



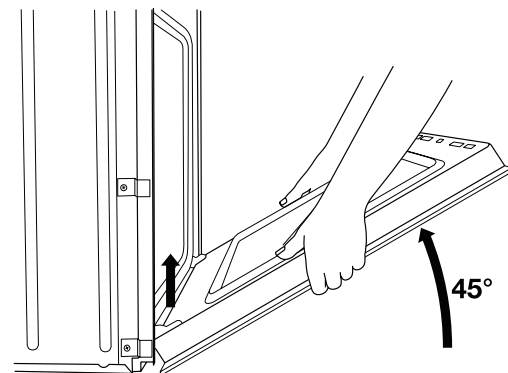
A. Loquet de charnière de la porte du four en position de verrouillage

B. Loquet de charnière de la porte du four en position de déverrouillage partiel

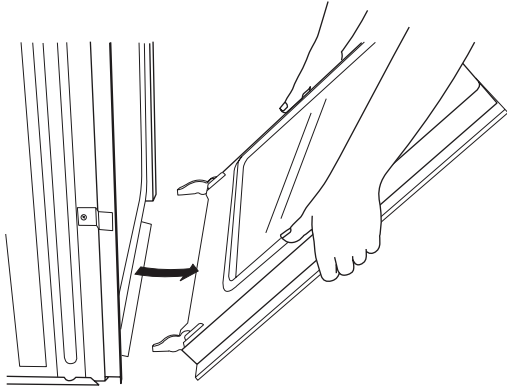
4. Commencer à fermer doucement la porte. La porte s'arrêtera en position partiellement fermée.



5. Saisir les bords de la porte du four avec les 2 mains. Fermer la porte du four légèrement dépassé la position d'arrêt pour réduire la charge supportée par les loquets, puis tirer la porte de four vers le haut.



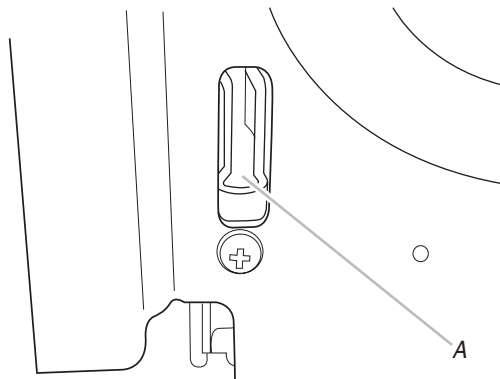
- Tirer la porte du four vers soi et enlever la porte. Si nécessaire, basculer doucement la port d'un côté et de l'autre en la tirant.



- Conserver la/les porte(s) du four à part sur la surface de travail couverte en faisant reposer la porte sur sa poignée.
- Pour continuer l'installation du four, aller à la section "Positionnement des pieds du four".

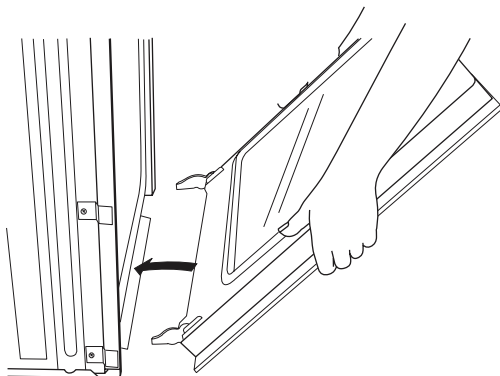
## Réinstallation la porte(s) du four

- Saisir les bords latéraux de la porte par le milieu avec les deux mains. Se placer face à la cavité du four.
- Repérer les encoches situées de chaque côté de la cavité du four pour les loquets de charnière de la porte.

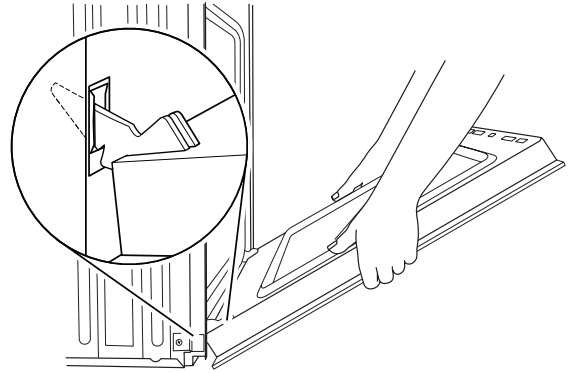


A. Encoche située dans la cavité du four pour le loquet de charnière de la porte

- Saisir les bords de la porte du four avec les deux mains. Avec un angle de 45°, insérer les charnières en même temps et pousser la porte du four dans les fentes de la cavité du four pour la réinstaller. Si nécessaire, basculer doucement la porte d'un côté et de l'autre en la poussant.

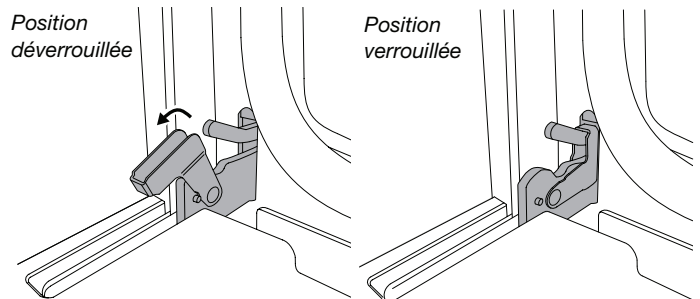


- S'assurer que les encoches de charnière de la porte sont engagées au fond des fentes de la cavité du four.



**IMPORTANT :** Ne pas fermer la porte à cette étape pour ne pas endommager les loquets de la porte.

- Abaisser la porte du four jusqu'à ce qu'elle soit complètement ouverte. Si la porte du four ne s'ouvre pas complètement à un angle de 90 degrés, répéter les étapes 1 à 3.
- Identifier les loquets de charnière de la porte du four dans les angles de la porte; faire pivoter les loquets de charnière vers la cavité du four jusqu'à la position de verrouillage.



- Après que les charnières de la porte ont été verrouillées, fermer doucement la porte. La fermeture de la porte ne doit pas être forcée.
- Une fois les charnières correctement installées et la porte fermée, il doit y avoir un espace égal entre la porte et le tableau de commande. Si l'un des côtés de la porte du four est plus bas que l'autre, la charnière de ce côté-ci n'est pas correctement installée.

Voir "Dépose la porte du four" et "Réinstallation de la porte du four."



## Positionnement des pieds du four

### Fours simples

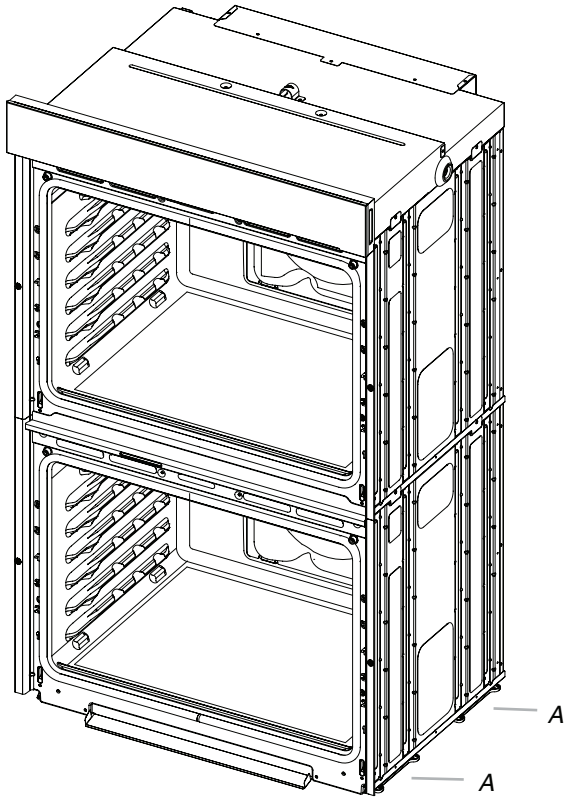
En modifiant le positionnement des pieds du four, on peut installer un four simple dans une cavité d'encastrement d'une hauteur de 28 1/2" (72,4 cm).

Consulter et respecter la section "Raccordement électrique" des instructions d'installation fournies avec le four encastré.

### Fours doubles

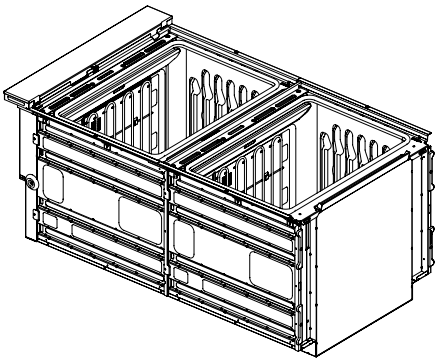
Les pieds du four permettent d'installer un four double dans une cavité d'encastrement d'une hauteur de 51 7/16" (130,6 cm).

**REMARQUE :** Ne pas retirer les cales d'espacement.



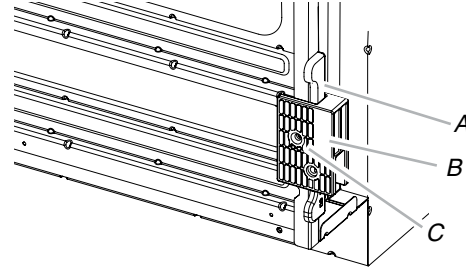
A. Cales d'espacement

1. À l'aide d'au moins deux personnes, placer le four sur sa partie arrière, sur une surface couverte.



2. Installer un pied sur la cale d'espacement arrière gauche avec une vis n° 8-18 x 3/8" (9,5 mm).

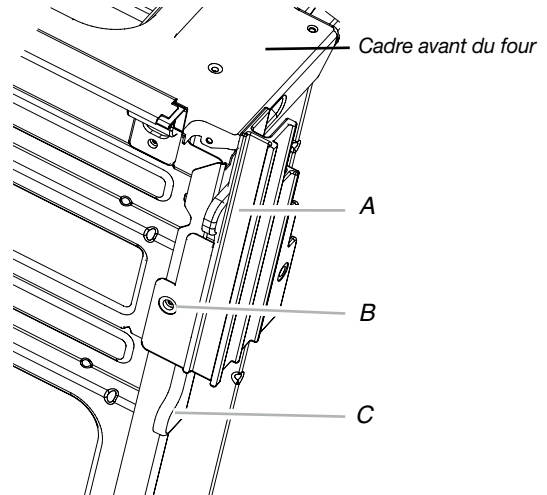
**REMARQUE :** Positionner le pied de façon à ce que le côté long du pied soit orienté vers le sommet du four.



A. Cale d'espacement  
B. Pied  
C. Vis n° 8-18 x 3/8" (9,5 mm)

3. De la même manière, installer un pied sur le coin arrière droit du four.
4. Installer un pied sur la cale d'espacement arrière gauche avec une vis n° 8-18 x 3/8" (9,5 mm).

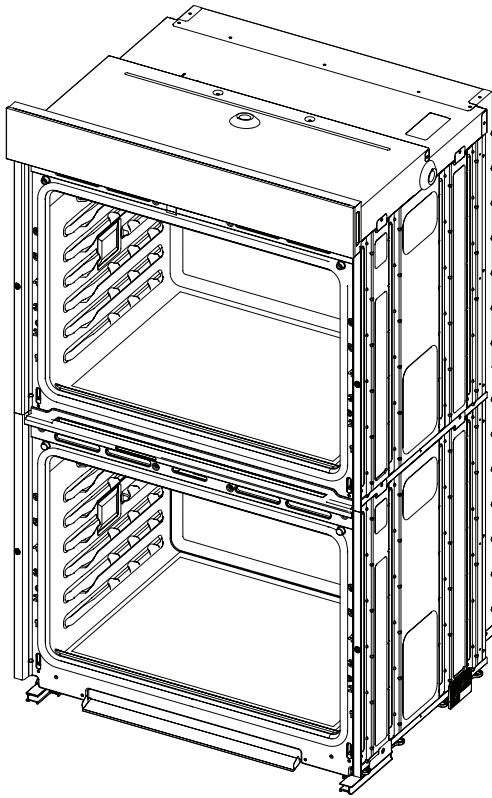
**REMARQUE :** Positionner le pied de façon à ce que le côté long du pied soit orienté vers l'intérieur du four.



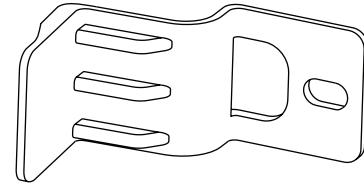
A. Pied avant  
B. Vis n° 8-18 x 3/8" (9,5 mm)  
C. Cale d'espacement

5. De la même manière, installer un pied avant sur le coin avant droit du four.

- À l'aide d'au moins deux personnes, placer le four en position verticale.



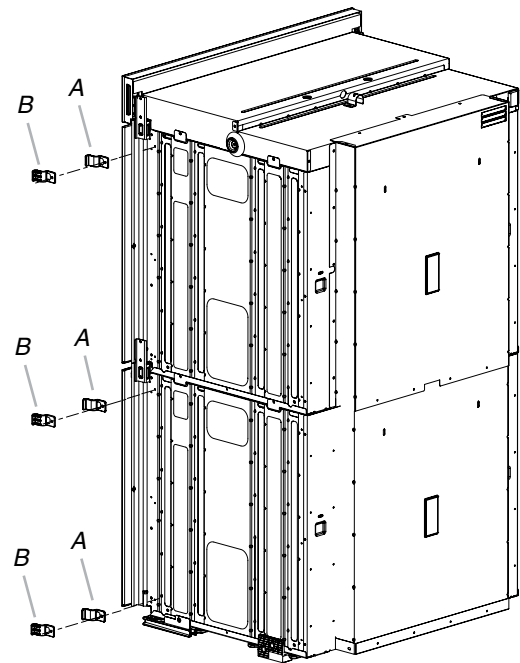
- De la même manière, retirer et remplacer les 2 cales d'espacement en plastique situées sur le côté gauche du four.



B. Cale en plastique neuve

### Remplacement des cales d'espacement en plastique sur les fours doubles

- Retirer les 3 vis, 1 pour chaque cale d'espacement, qui fixent les 3 cales d'espacement en plastique (A) sur le côté droit du four.
- À l'aide des 3 vis retirées, installer les 3 nouvelles cales d'espacement en plastique (B) fournies avec cet ensemble.



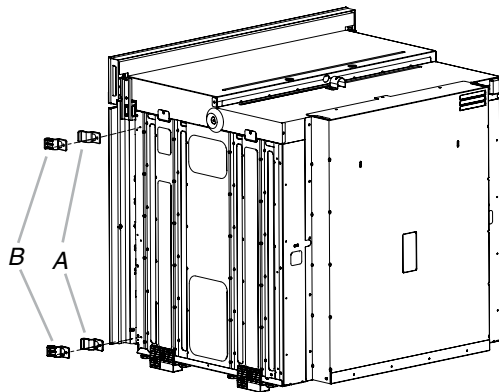
A. Cale en plastique  
B. Cale en plastique neuve

- Passer à la section "Raccordement électrique" des instructions d'installation fournies avec le four encastré.

### Remplacement des cales d'espacement en plastique

#### Remplacement des cales d'espacement en plastique sur les fours simples

- Retirer les 2 vis, 1 pour chaque cale d'espacement, qui fixent les 2 cales d'espacement en plastique (A) sur le côté droit du four.
- À l'aide des 2 vis retirées, installer les 2 nouvelles cales d'espacement en plastique (B) fournies avec cet ensemble.



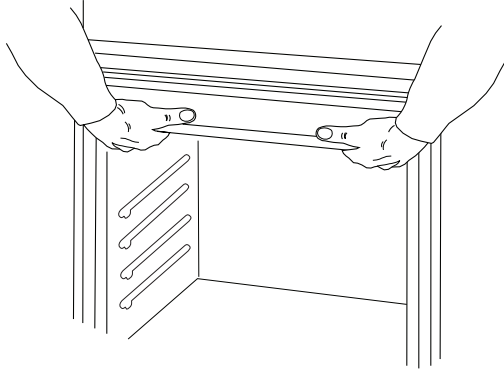
A. Cale en plastique  
B. Cale en plastique neuve

- De la même manière, retirer et remplacer les 3 cales d'espacement en plastique situées sur le côté gauche du four.

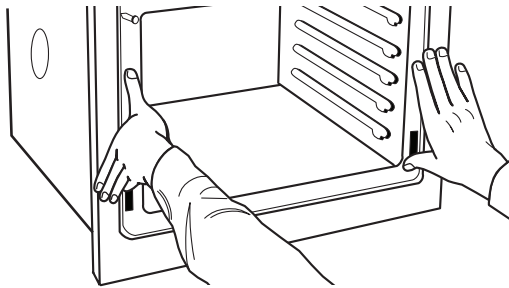
## Installation du four

1. À l'aide d'au moins 2 personnes, soulever et introduire partiellement le four dans l'ouverture d'encastrement du placard. Utiliser l'ouverture du four comme zone de prise.

**REMARQUE :** Ouvrir la porte du four à micro-ondes et pousser sur la zone du joint du châssis avant lorsque l'on introduit le four à micro-ondes dans le placard. Ne pas pousser contre les bords externes.

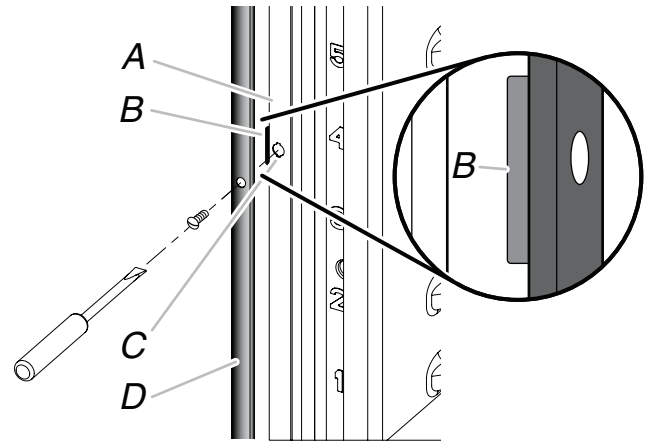


2. Pousser contre le châssis avant du four à micro-ondes pour introduire le four dans le placard.



3. Pousser complètement le four dans le placard et le centrer dans la cavité d'encastrement du placard.

4. Retirer le ruban des garnitures noires avant, ainsi que les attaches de plastiques de l'espaceur d'installation.
  - Fixer solidement le four au placard à l'aide des vis n° 8-14 x 3/4" (1,9 cm) fournies.
  - Insérer les vis dans les trous de la garniture noire en les alignant avec les trous du châssis du four et de l'espaceur d'installation déjà en place.



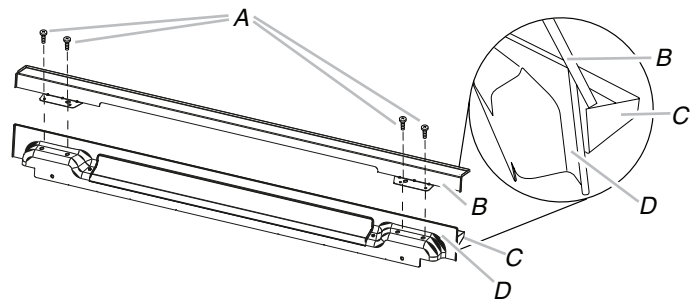
A. Châssis du four  
B. Espaceur d'installation  
C. Trou du châssis du four  
D. Garniture noire

## Installation du support de la trousse du déflecteur

Ce montage est nécessaire lorsqu'un four encastré simple ou double est installé en affleurement.

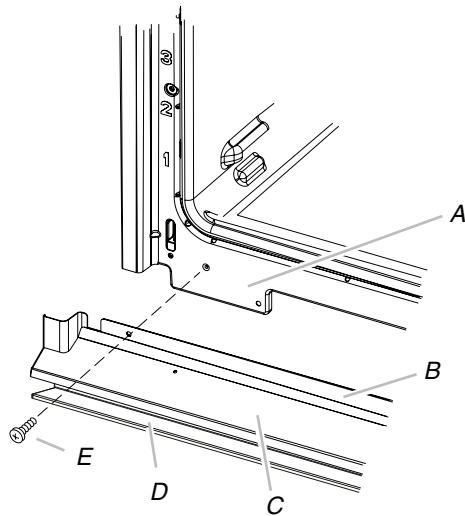
1. Faire fléchir la pièce d'évent supérieure (C) en l'éloignant de la pièce d'évent inférieure (D) pour faire glisser le support du déflecteur (B) entre elles. Une certaine force sera peut-être nécessaire pour faire fléchir la garniture d'évent supérieure (C) en l'éloignant de la garniture d'évent inférieure (D). Une certaine force sera peut-être également nécessaire pour faire fléchir le support du déflecteur (B) et le glisser en place. S'assurer que les trous de vis sont correctement alignés entre les 2 pièces. Voir l'illustration suivante.
2. Installer le support du déflecteur (B) sur la pièce d'évent inférieure (D) à l'aide de deux vis n°8-18 x 1/4" (6,3 mm) de chaque côté.

**REMARQUE :** Sur les modèles de 27" (68,6 cm), utiliser une seule vis n° 8-18 x 1/4" (6,3 mm) de chaque côté.



A. Vis n° 8-18 x 1/4" (6,3 mm)  
B. Support du déflecteur  
C. Élément d'évacuation supérieur (fourni avec le four)  
D. Élément d'évacuation inférieur (fourni avec le four)

- Aligner l'onglet de l'évent (B) avec le châssis du four (A) comme dans l'illustration suivante.
- Avec une vis n° 8-18 x 3/8" (9,5 mm) (E) pour chaque côté du support de l'évent (B), fixer solidement l'évent au four.



A. Châssis du four  
 B. Support de l'évent  
 C. Évent du four  
 D. Support du déflecteur  
 E. Vis n° 8-18 x 3/8" (9,5 mm)

- Réinstaller les grilles du four.
- Réinstaller la porte du four. Voir la section "Réinstaller la/les porte(s) du four".
- Vérifier que la porte s'ouvre et se ferme facilement. Si tel n'est pas le cas, répéter la procédure de dépose et de réinstallation de la porte. Voir la section "Préparation du four encastré".
- Répéter cette procédure pour la porte du four inférieur.
- Reconnecter la source de courant électrique.
- Le tableau d'affichage s'allume brièvement et "PF" devrait apparaître sur l'affichage.
- Si le tableau d'affichage ne s'allume pas, consulter la section "Assistance ou service" du guide d'utilisation et d'entretien fourni avec le four encastré ou contacter le marchand auprès duquel le four a été acheté.

## Achever l'installation

- Vérifier que toutes les pièces sont maintenant installées. S'il reste une pièce, passer en revue les différentes étapes pour découvrir laquelle aurait été oubliée.
- Vérifier la présence de tous les outils.
- Jeter/recycler tous les matériaux d'emballage.
- Pour l'utilisation et le nettoyage du four, lire le Guide d'utilisation et d'entretien.

### Vérification du fonctionnement pour un four simple et un four double

- Mettre l'appareil sous tension.
- À la première utilisation, régler l'horloge et toute autre préférence réglable. Consulter le Guide d'utilisation et d'entretien pour plus de renseignements.
- Pour les fours simples, appuyer sur BROIL (cuisson au gril).

**REMARQUE :** Pour les fours doubles, appuyer sur UPPER BROIL (cuisson au gril - four supérieur) ou LOWER BROIL (cuisson au gril - four inférieur).

- Régler la température.
- Appuyer sur START (mise en marche).

#### Si le(s) four(s) ne fonctionne(nt) pas, contrôler ce qui suit:

- Les fusibles du domicile sont intacts et serrés; le disjoncteur n'est pas déclenché.
  - La prise de courant est correctement alimentée.
  - Voir la section "Dépannage" dans le Guide d'utilisation et d'entretien.
- Après que le four a fonctionné pendant 5 minutes, vérifier qu'il y a émission de chaleur.  
Si aucune chaleur n'est ressentie ou si un message d'erreur apparaît sur l'affichage, éteindre le four et contacter un technicien qualifié.
  - Pour les fours doubles, appuyer sur UPPER CANCEL/ LOWER CANCEL (annulation four supérieur/annulation four inférieur). Pour les fours simples, appuyer sur CANCEL (annulation).

#### Si vous avez besoin d'assistance ou de service :

Consulter la section "Assistance ou service" du Guide d'utilisation et d'entretien ou contacter le marchand auprès duquel le four encastré a été acheté.