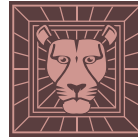


72"

Item Number:

- 147-114-5731
- 147-114-5741
- 147-114-5761
- 147-114-5771
- 147-114-5781

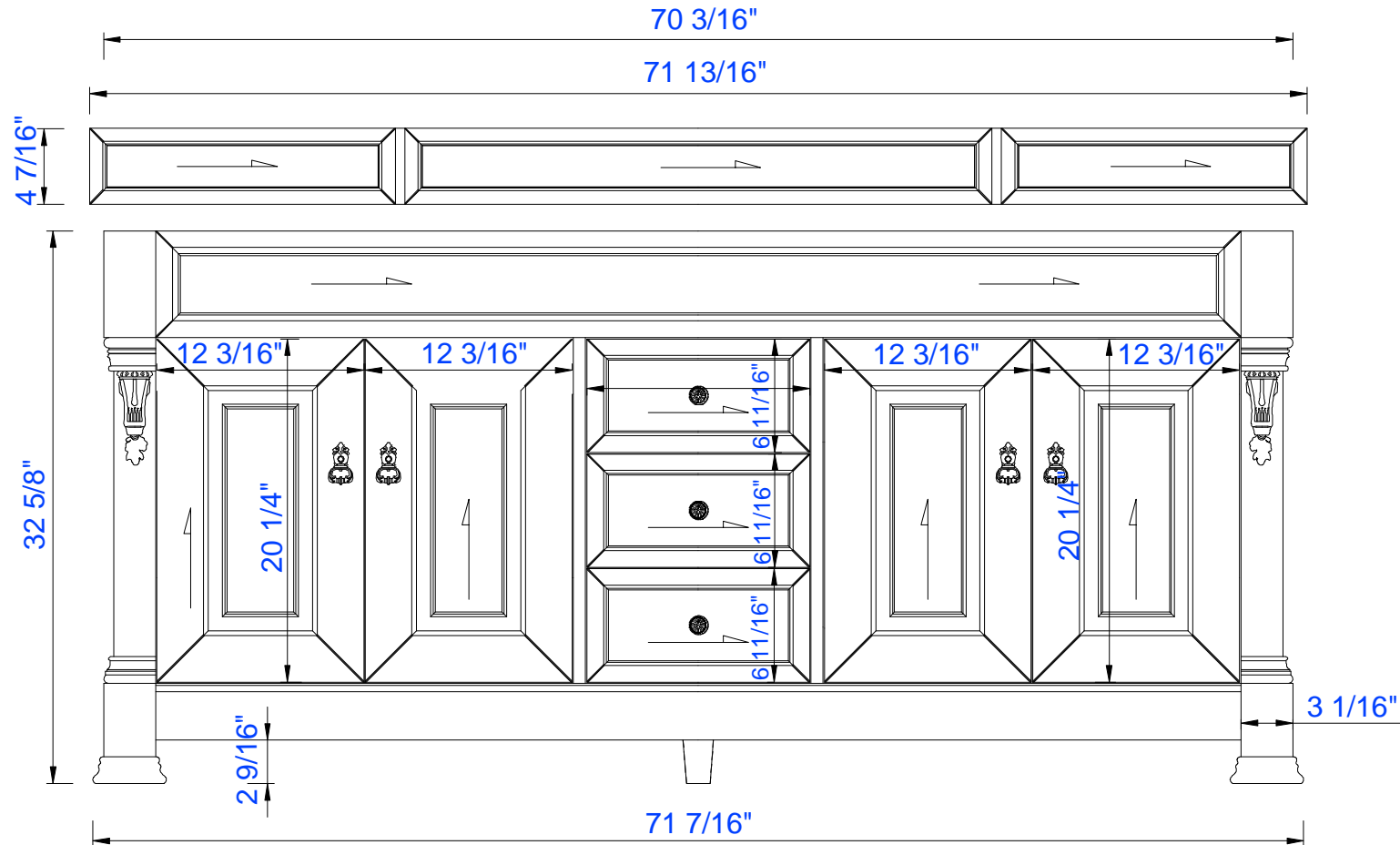
JAMES MARTIN



VANITIES™

Brookfield 72" Cabinet

Diagrams with Dimensions
page 01 of 03



NOTE ONE: Countertops are not shown in these diagrams. (Cabinet Only)

NOTE TWO: Wooden Backsplash (Shown) is designed for the molding detail to align with sinks in James Martin's Optional Countertops. Customers' own countertops and sinks may align differently.

Please consult our website for Countertop Diagrams: www.jamesmartinvanities.com

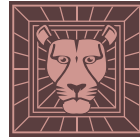
Version: 202005

72"

Item Number:

- 147-114-5731
- 147-114-5741
- 147-114-5761
- 147-114-5771
- 147-114-5781

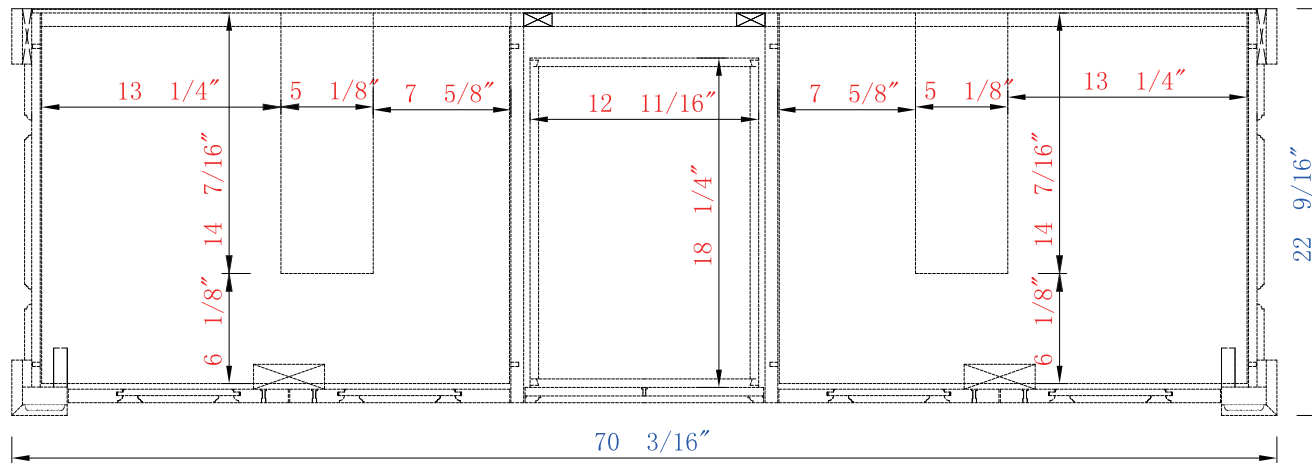
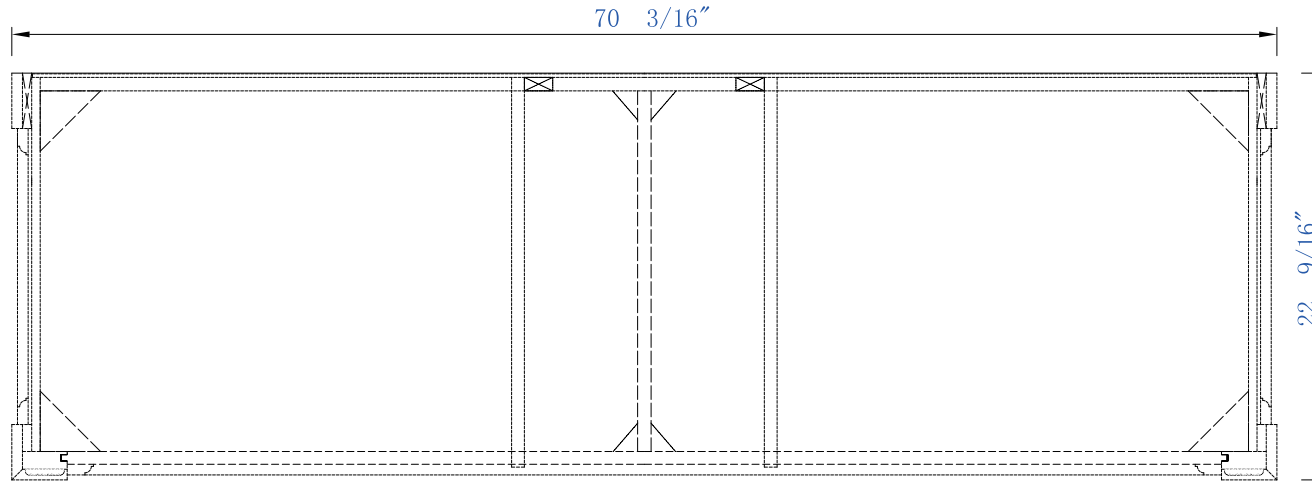
JAMES MARTIN



VANITIES™

Brookfield 72" Cabinet

Diagrams with Dimensions
page 02 of 03



NOTE ONE: Countertops are not shown in these diagrams. (Cabinet Only)

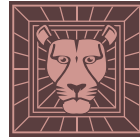
NOTE TWO: Internal Shelves (Shown) are designed to align with sinks in James Martin's Optional Countertops.
 Customers' own countertops and sinks may align differently, and modification may be required.
 Please consult our website for Countertop Diagrams: www.jamesmartinvanities.com

72"

Item Number:

- 147-114-5731
- 147-114-5741
- 147-114-5761
- 147-114-5771
- 147-114-5781

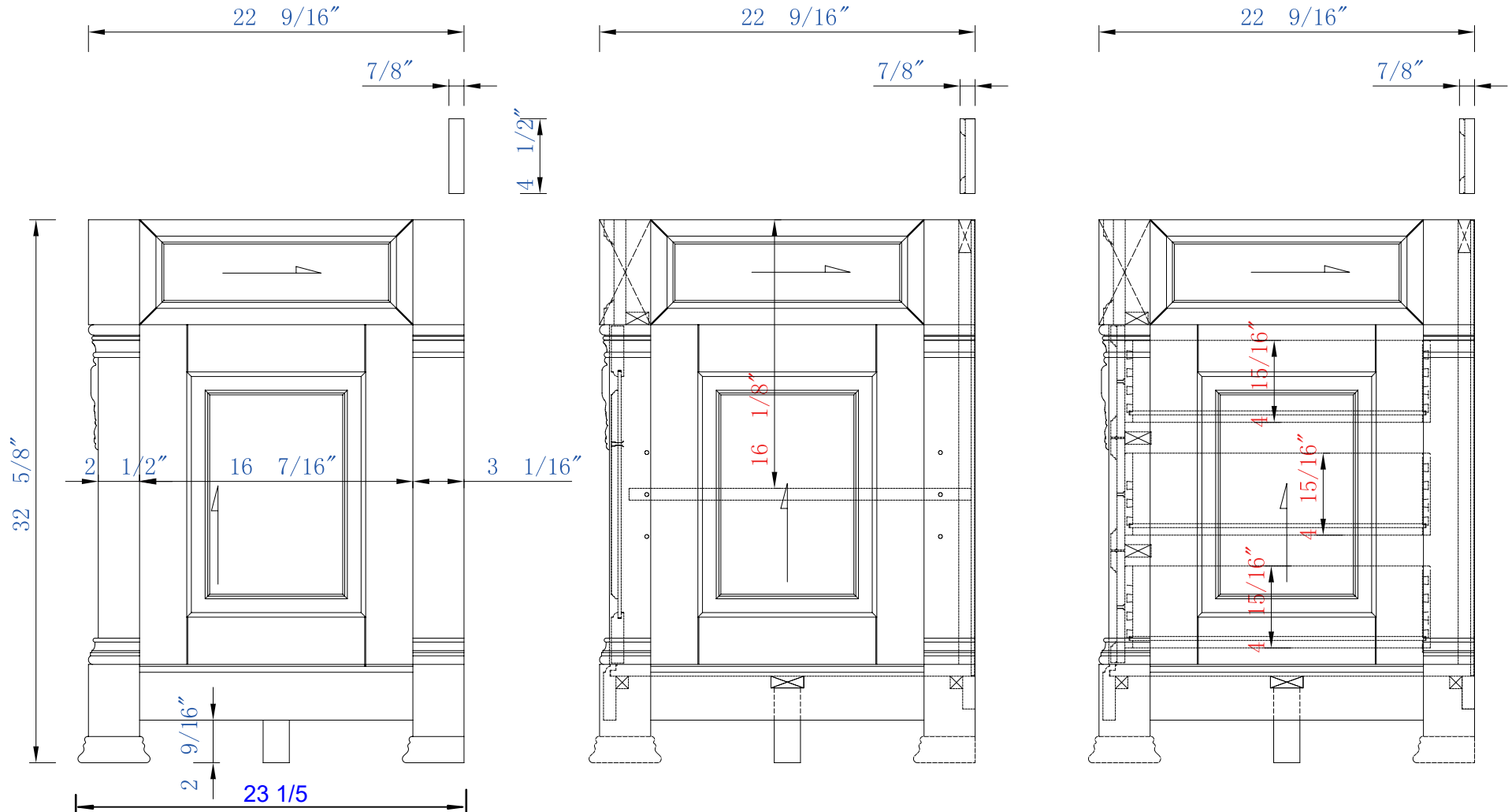
JAMES MARTIN



VANITIES™

Brookfield 72" Cabinet

Diagrams with Dimensions
page 03 of 03



NOTE ONE: Countertops are not shown in these diagrams. (Cabinet Only)

NOTE TWO: Wooden Backsplash (Shown) is designed for the molding detail to align with sinks in James Martin's Optional Countertops. Customers' own countertops and sinks may align differently.

Please consult our website for Countertop Diagrams: www.jamesmartinvanities.com

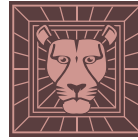
Version: 202005

1828mm

Item Number:

- 147-114-5731
- 147-114-5741
- 147-114-5761
- 147-114-5771
- 147-114-5781

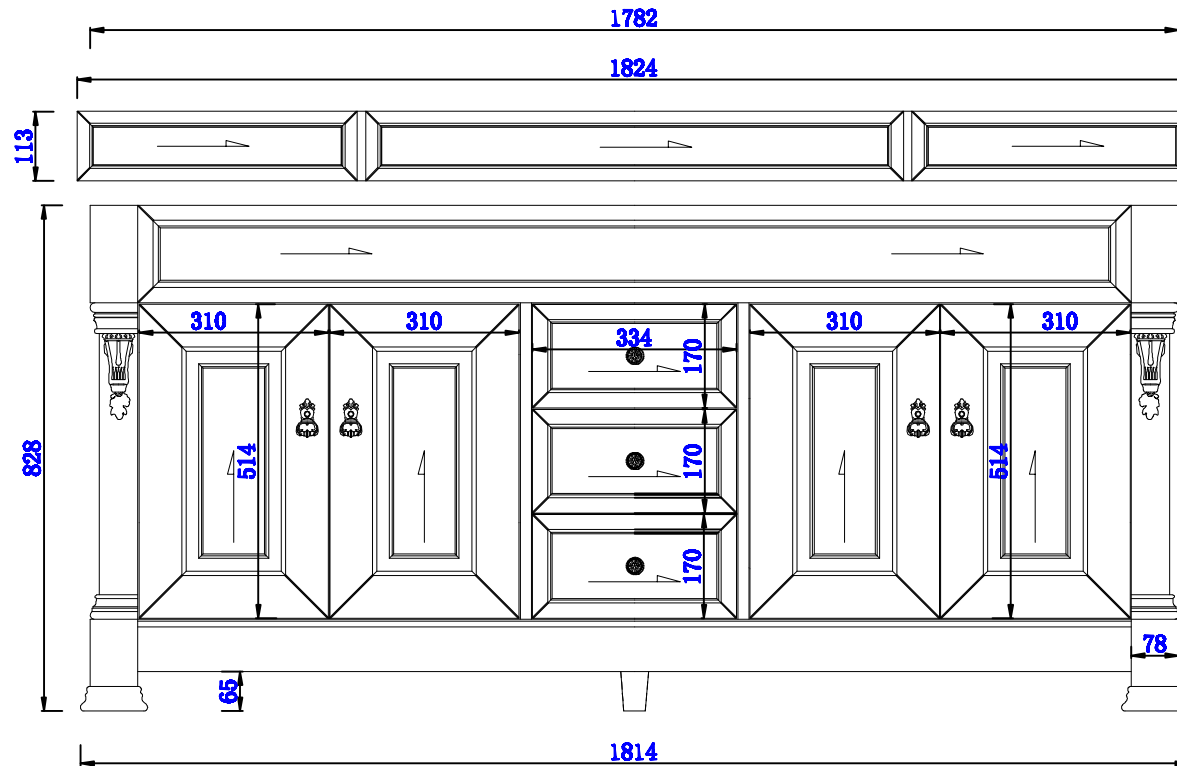
JAMES MARTIN



VANITIES™

Brookfield 1828mm Cabinet

Diagrams with Dimensions
page 01 of 03



NOTE ONE: Countertops are not shown in these diagrams. (Cabinet Only)

NOTE TWO: Wooden Backsplash (Shown) is designed for the molding detail to align with sinks in James Martin's Optional Countertops. Customers' own countertops and sinks may align differently.

Please consult our website for Countertop Diagrams: www.jamesmartinvanities.com

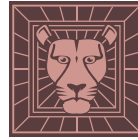
Version: 202005

1828mm

Item Number:

- 147-114-5731
- 147-114-5741
- 147-114-5761
- 147-114-5771
- 147-114-5781

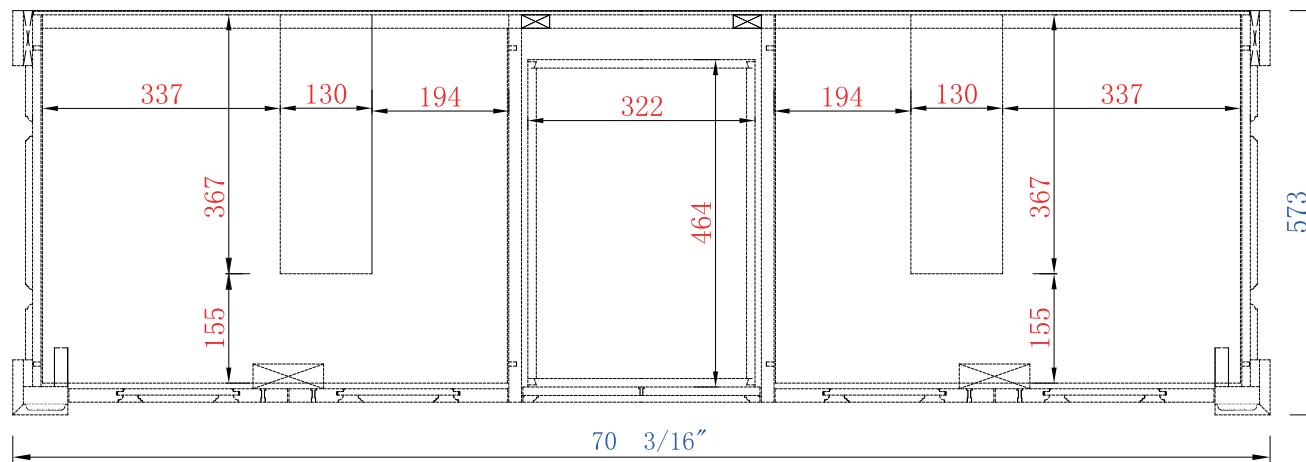
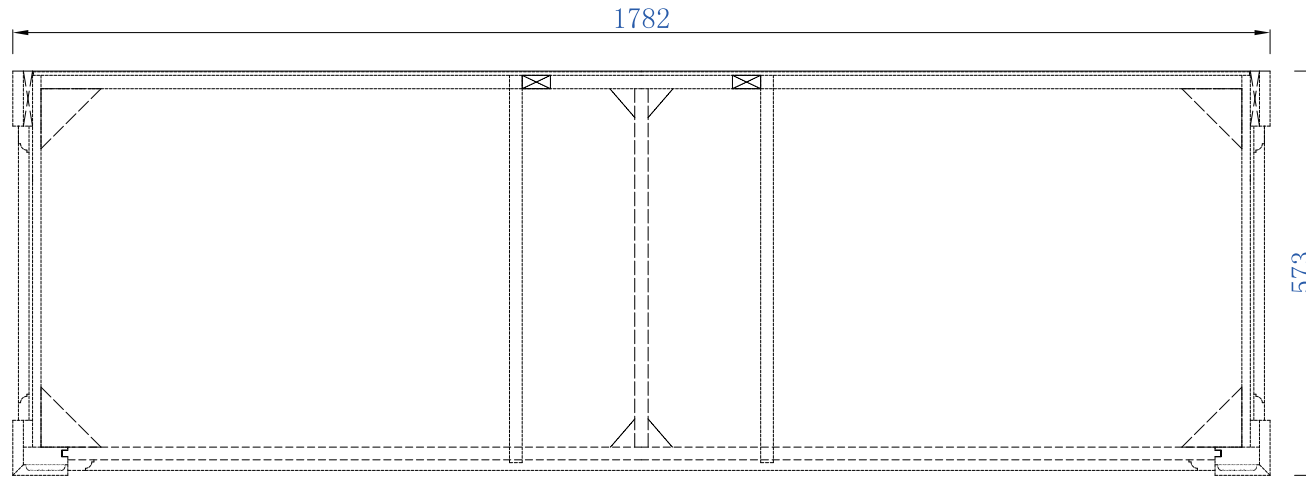
JAMES MARTIN



VANITIES™

Brookfield 1828mm Cabinet

Diagrams with Dimensions
page 02 of 03



NOTE ONE: Countertops are not shown in these diagrams. (Cabinet Only)

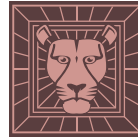
NOTE TWO: Wooden Backsplash (Shown) is designed for the molding detail to align with sinks in James Martin's Optional Countertops. Customers' own countertops and sinks may align differently, and modification may be required. Please consult our website for Countertop Diagrams: www.jamesmartinvanities.com

1828mm

Item Number:

- 147-114-5731
- 147-114-5741
- 147-114-5761
- 147-114-5771
- 147-114-5781

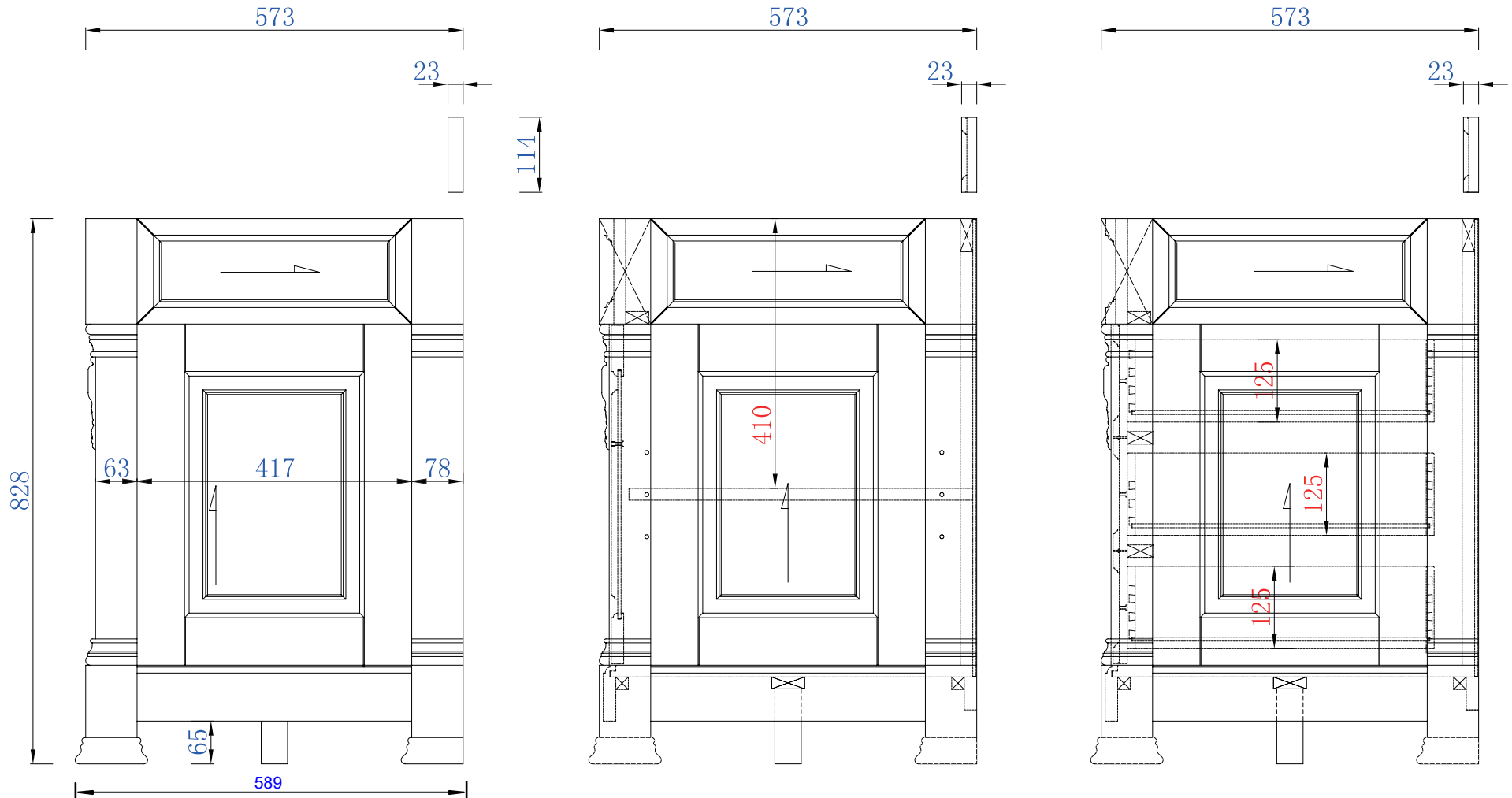
JAMES MARTIN



VANITIES™

Brookfield 1828mm Cabinet

Diagrams with Dimensions
page 03 of 03



NOTE ONE: Countertops are not shown in these diagrams. (Cabinet Only)

NOTE TWO: Wooden Backsplash (Shown) is designed for the molding detail to align with sinks in James Martin's Optional Countertops. Customers' own countertops and sinks may align differently.

Please consult our website for Countertop Diagrams: www.jamesmartinvanities.com

Version: 202005