

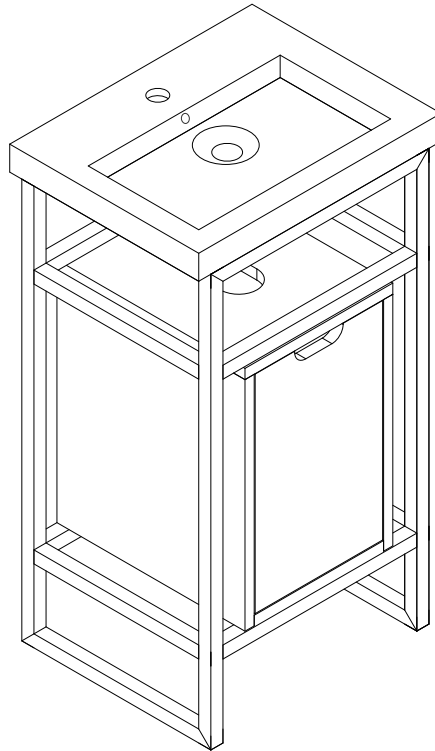
# 20" BOSTON SINK CONSOLE

C105-V20-BNK

C105-V20-MBK

C105-V20-RGD

**JAMES MARTIN**  
VANITIES



## Features and Materials

Metal Materials: Stainless Steel  
Panels: MDF  
Installation Type: Floor Standing  
Number of Basins: One, Integrated Sinktop  
Sinktop Included: NO, Sold Separately (CSP-S2016-WG)  
Basin Overflow: Yes, Rear Facing  
Number of Doors: 1, with optional Storage Cabinet  
Number of Drawers: 0  
Number of Glass Shelves: One  
Storage Cabinets included: YES(C105-SC12-GW)  
Assembly Required: YES  
Metal Finish: Brushed Nickel/Matte Black/Radiant Gold  
Wood Finish: Glossy White  
Fits Drain Hole Size: 1-3/4"  
European Soft Close Hinges  
Adjustable Levelers

## Dimension

Width: 19-5/8"  
Depth: 15-3/8"  
Height: 33-1/2"  
Rough-In Height: 21-1/2"

# 20" BOSTON SINK CONSOLE

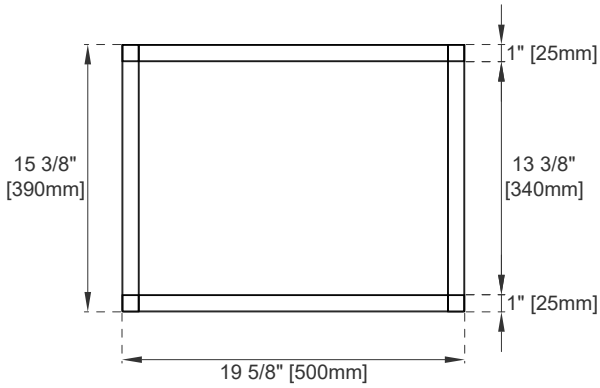
C105-V20-BNK

C105-V20-MBK

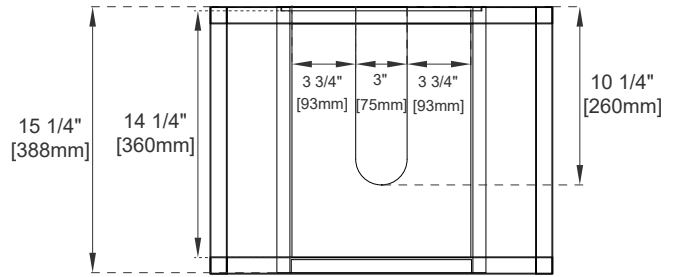
C105-V20-RGD

# JAMES MARTIN

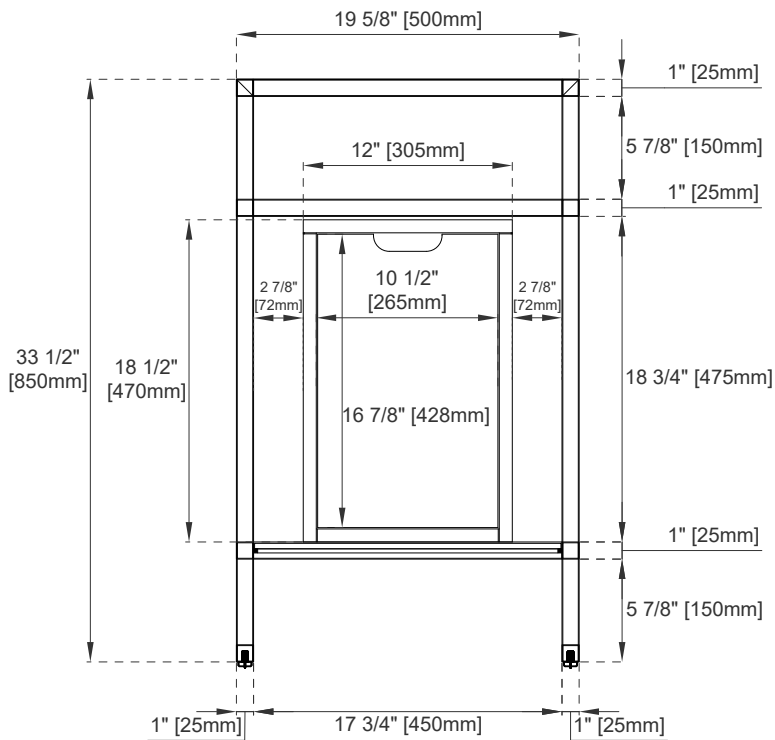
## VANITIES



Top View 1



Top View 2



Front View

All dimensions are nominal  
Diagrams are of sink console only-James Martin Optional integrated sinktops are not shown

Visit website for warranty and installation information  
[www.jamesmartinvanities.com](http://www.jamesmartinvanities.com)

# 20" BOSTON SINK CONSOLE

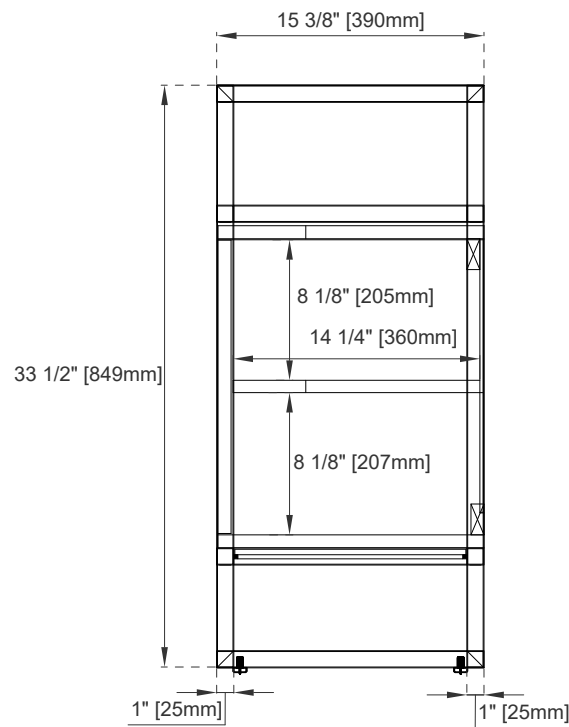
C105-V20-BNK

C105-V20-MBK

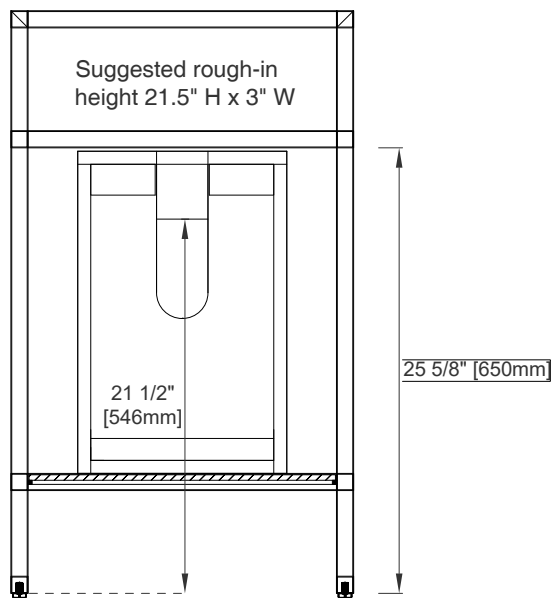
C105-V20-RGD

# JAMES MARTIN

VANITIES



Side View



Back View

All dimensions are nominal  
Diagrams are of sink console only-James Martin Optional integrated sinktops are not shown

Visit website for warranty and installation information  
[www.jamesmartinvanities.com](http://www.jamesmartinvanities.com)