

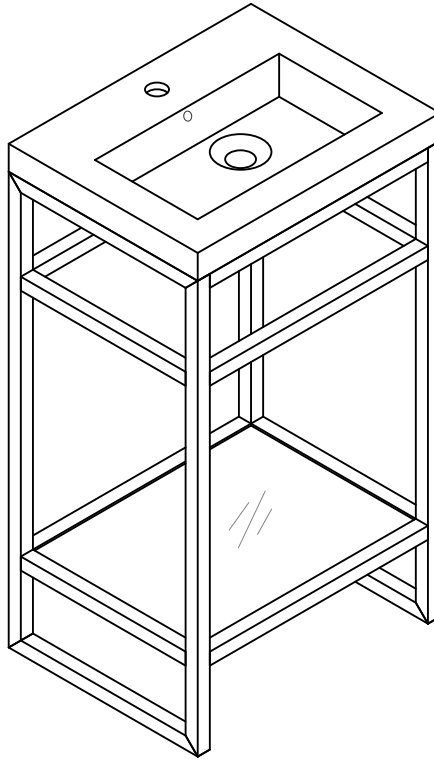
## 20" BOSTON SINK CONSOLE

C105-V20-BNK

C105-V20-MBK

C105-V20-RGD

**JAMES MARTIN**  
VANITIES



### Features and Materials

Metal Materials: Stainless Steel  
Installation Type: Floor Standing  
Number of Basins: One, Integrated Sinktop  
Sinktop Included: NO, Sold Separately (CSP-S2016-WG)  
Basin Overflow: Yes. Rear Facing  
Number of Doors: 0  
Number of Drawers: 0  
Number of Glass Shelves: One  
Assembly Required: Yes  
Metal Finish: Brushed Nickel/Matte Black/Radiant Gold  
Fits Drain Hole Size: 1-3/4"  
Adjustable Levelers

### Dimension

Width: 19-5/8"  
Depth: 15-3/8"  
Height: 33-1/2"  
Rough-In Height: 21-1/2"

# 20" BOSTON SINK CONSOLE

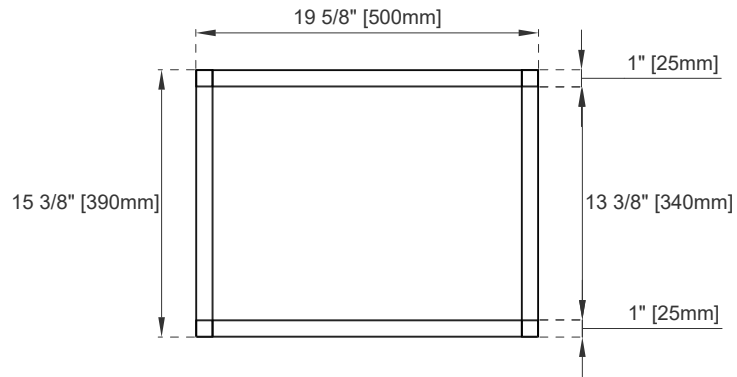
C105-V20-BNK

C105-V20-MBK

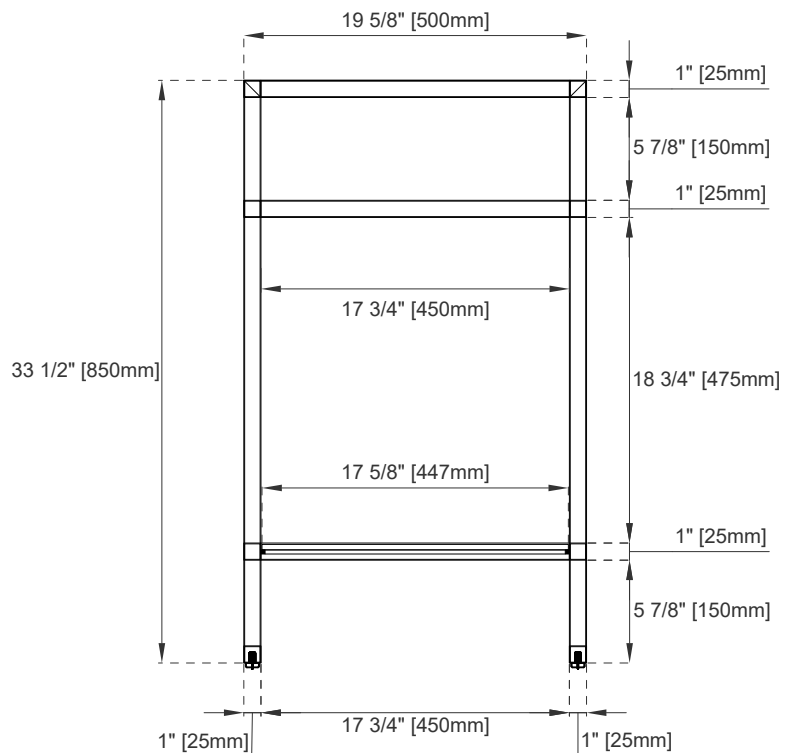
C105-V20-RGD

# JAMES MARTIN

VANITIES



Top View



Front View

All dimensions are nominal  
Diagrams are of sink console only-James Martin Optional integrated sinktops are not shown

Visit website for warranty and installation information  
[www.jamesmartinvanities.com](http://www.jamesmartinvanities.com)

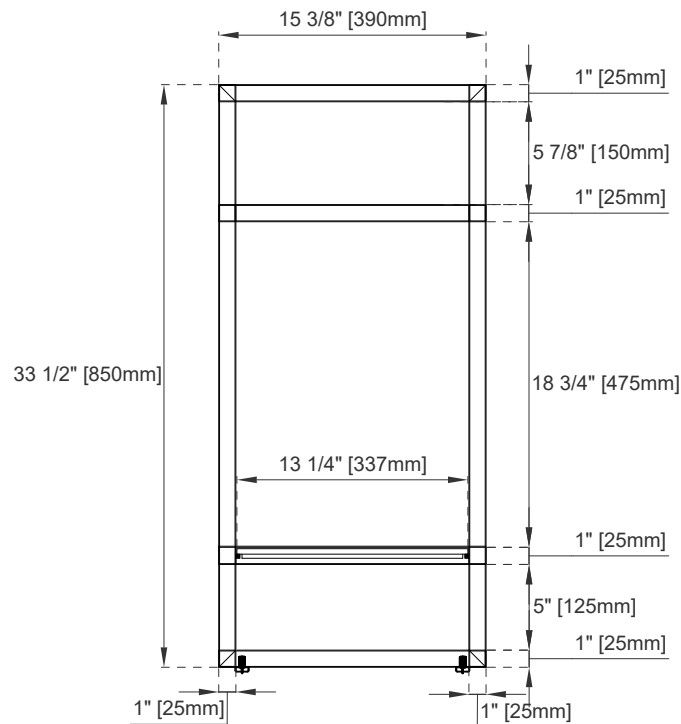
# 20" BOSTON SINK CONSOLE

C105-V20-BNK

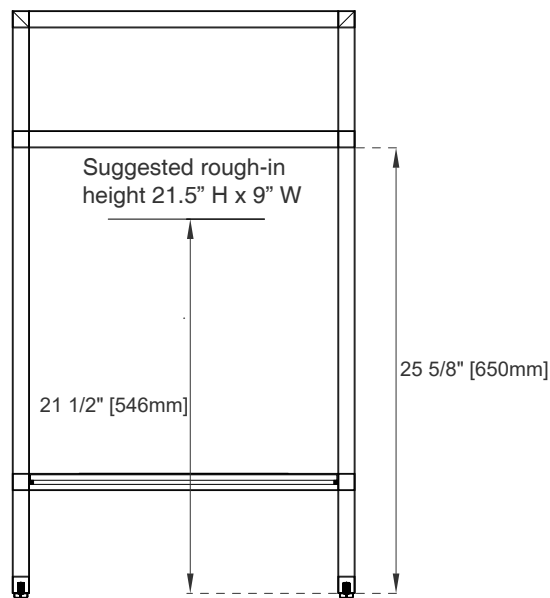
C105-V20-MBK

C105-V20-RGD

# JAMES MARTIN VANITIES



Side View



Back View

All dimensions are nominal  
Diagrams are of sink console only-James Martin Optional integrated sinktops are not shown

Visit website for warranty and installation information  
[www.jamesmartinvanities.com](http://www.jamesmartinvanities.com)