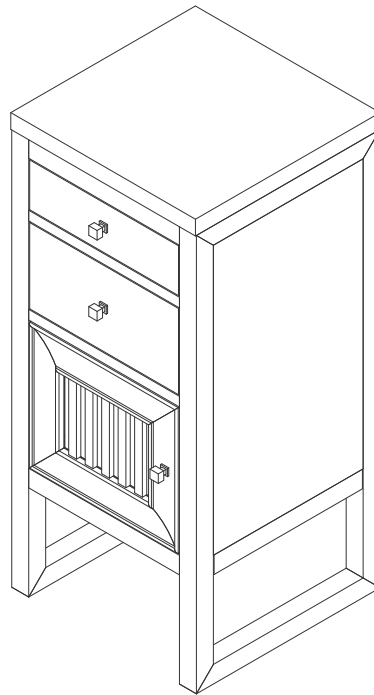


15" ATHENS CABINET WITH DRAWERS & DOOR - LEFT

JAMES MARTIN
VANITIES

E645-B15L-GW



Features and Materials

Solids: Yellow Poplar

Panels: MDF

Installation Type: Floor Standing

Vanity Top Included: NO, Optional 3cm Tops Available

Number of Doors: One

Number of Drawers: Two

AssemblyType: Optional 3cm Top

Assembly Type: Optional Hutch attached with anti tipping bracket (hardware included)

Door Panel: Reversible. One Side Finished in Glossy White, One Side Natural Cork
(Pattern: Patchwork)

Drawer Box Material and Construction: 12mm Plywood/English Dovetail Joinery

Hardware Material and Finish: Zinc Alloy in Polished Chrome

Full Extension, Soft Close Glides

European Soft Close Hinges

Aluminum Laminate Drawer Liners

Adjustable Levelers

Dimension

Width: 15"

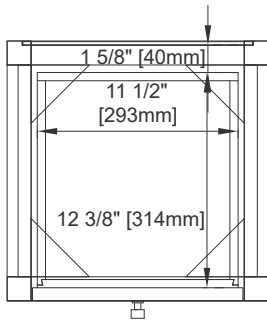
Depth: 15"

Height: 32-1/4"

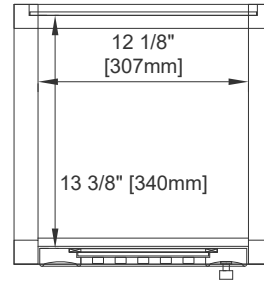
15" ATHENS CABINET WITH DRAWERS & DOOR - LEFT

JAMES MARTIN VANITIES

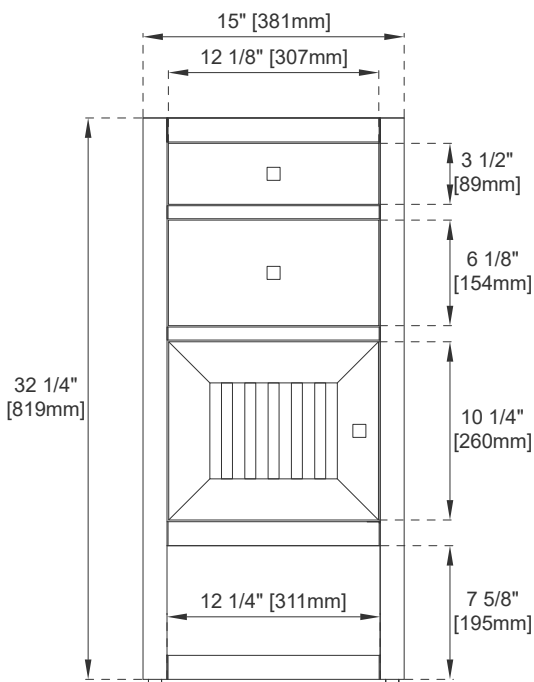
E645-B15L-GW



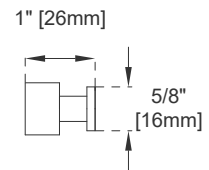
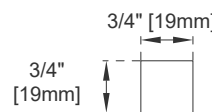
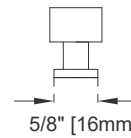
Top View



Top View 2



Front View



Knob

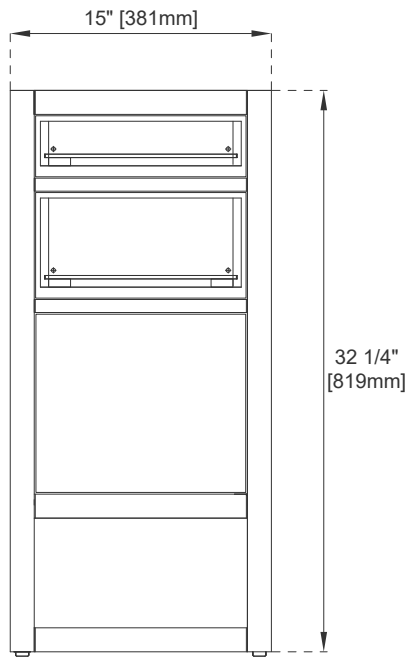
All dimensions are nominal
Diagrams are of cabinet only—James Martin Optional Countertops are not shown

Visit website for warranty and installation information
www.jamesmartinvanities.com

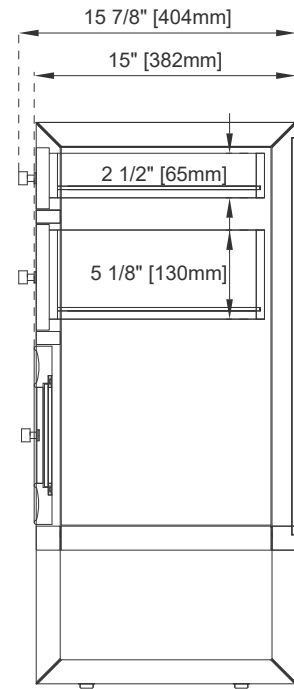
15" ATHENS CABINET WITH DRAWERS & DOOR - LEFT

E645-B15L-GW

JAMES MARTIN VANITIES



Back View



Side View

All dimensions are nominal
Diagrams are of cabinet only—James Martin Optional Countertops are not shown

Visit website for warranty and installation information
www.jamesmartinvanities.com