

25"

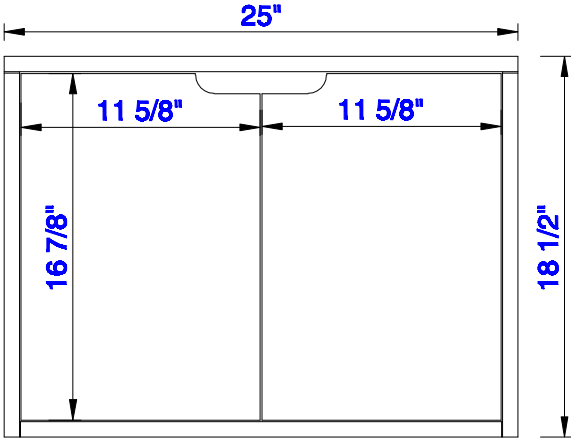
Item Number:
C105-SC25-GW

JAMES MARTIN



VANITIES™

Boston 25" Storage Cabinet
Diagrams with Dimensions
page 01 of 03



25"

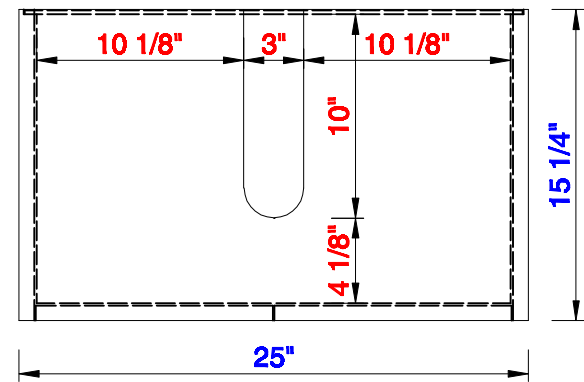
Item Number:
C105-SC25-GW

JAMES MARTIN



VANITIES™

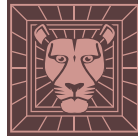
Boston 25" Storage Cabinet
Diagrams with Dimensions
page 02 of 03



25"

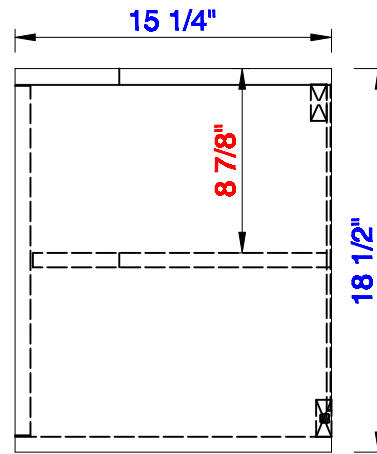
Item Number:
C105-SC25-GW

JAMES MARTIN



VANITIES™

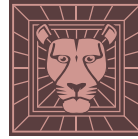
Boston 25" Storage Cabinet
Diagrams with Dimensions
page 03 of 03



635mm

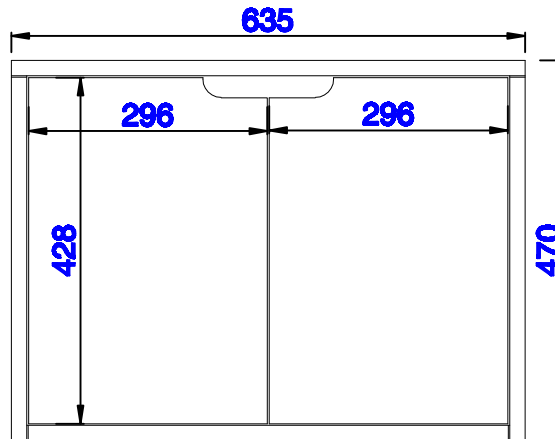
Item Number:
C105-SC25-GW

JAMES MARTIN



VANITIES™

Boston 635mm Storage Cabinet
Diagrams with Dimensions
page 01 of 03



635mm

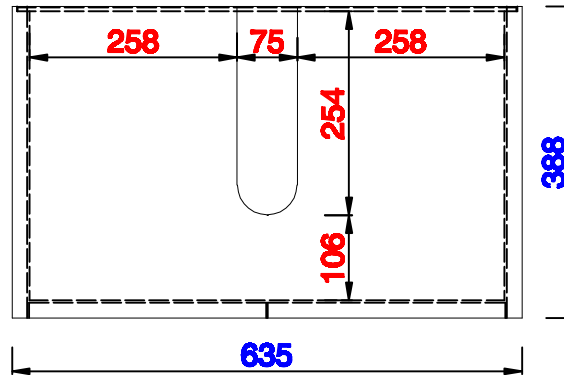
Item Number:
C105-SC25-GW

JAMES MARTIN



VANITIES™

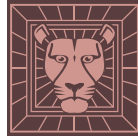
Boston 635mm Storage Cabinet
Diagrams with Dimensions
page 02 of 03



635mm

Item Number:
C105-SC25-GW

JAMES MARTIN



VANITIES™

Boston 635mm Storage Cabinet
Diagrams with Dimensions
page 03 of 03

