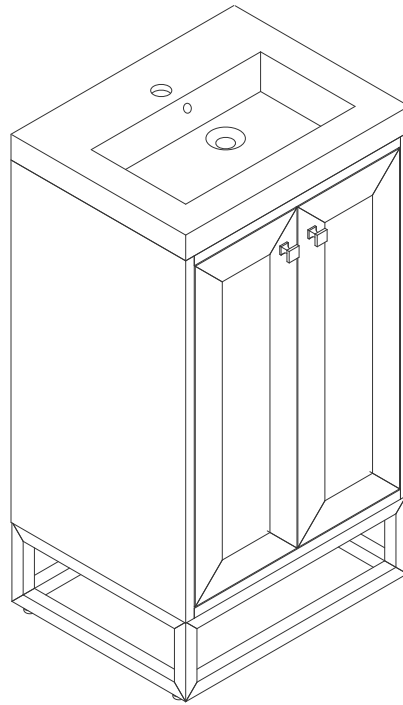


20" CHIANTI VANITY+BASE  
E303-V20-GW  
E303-V20-MG  
E303-V20-WW

**JAMES MARTIN**  
VANITIES



### Features and Materials

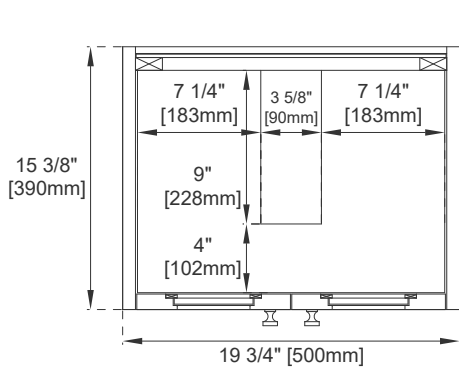
Solids: GW/MG-Yellow Poplar;  
WW-Para Wood and Yellow Poplar  
Metal Base Material: Stainless Steel  
Veneers: WW-Walnut  
Panels: MDF  
Installation Type: Floor Standing with Base or Wall Mounted  
Number of Basins: One, Integrated Sinktop  
Sinktop Included: NO, Sold Separately (CSP-S2016-WG)  
Basin Overflow: Yes, Rear Facing  
Metal Base Included: YES (Optional Metal Base E303-B20-BNK/E303-B20-MBK/  
E303-B20-RGD)  
Number of Doors: Two  
Number of Drawers: 0  
Assembly Type: Attach Optional Metal Base for Freestanding (hardware Included).  
Door Panel: Reversible. GW-One Side Finished in Glossy White, One Side Natural  
Cork (Pattern: Casablanca); MG-One Side Finished in Mineral Gray, One Side  
Raffia Fabric(Pattern: Lina Bianca); WW-One Side Finished in Whitewashed Walnut,  
One Side Embossed Dark Taupe Vinyl (Pattern: Herringbone )  
Metal Base Finish: Brushed Nickel/Matte Black/Radiant Gold  
Hardware Finish: Zinc Alloy in Brushed Nickel/Matte Black/Radiant Gold  
Fits Drain Hole Size: 1-3/4"  
European Soft Close Hinges  
Adjustable Levelers

### Dimension

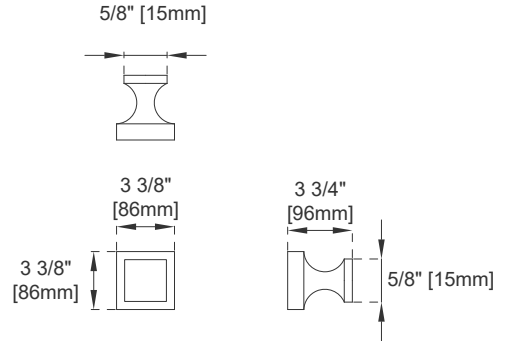
Width: 19 3/4"  
Depth: 15 3/8"  
Height: 33 1/2"  
Rough-In Height: 21-1/2"

20" CHIANTI VANITY+BASE  
 E303-V20-GW  
 E303-V20-MG  
 E303-V20-WW

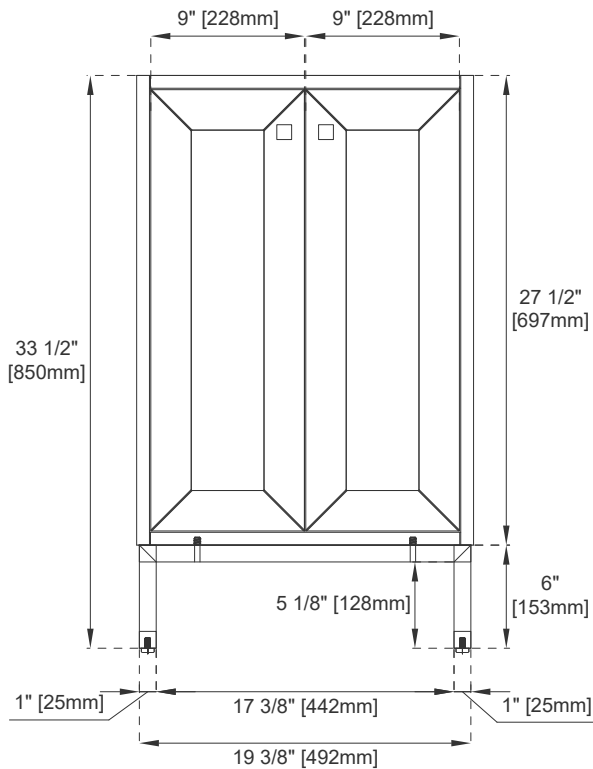
# JAMES MARTIN VANITIES



Top View



Knob



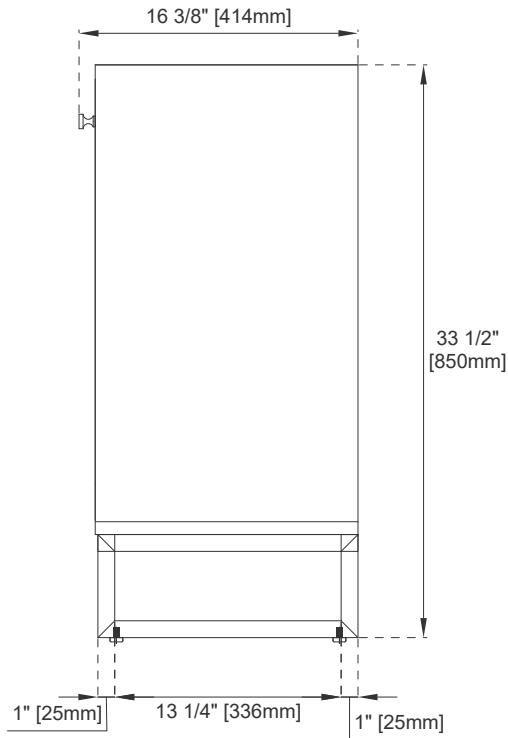
Front View

All dimensions are nominal  
 Diagrams are of cabinet only—James Martin Optional integrated sinktops are not shown

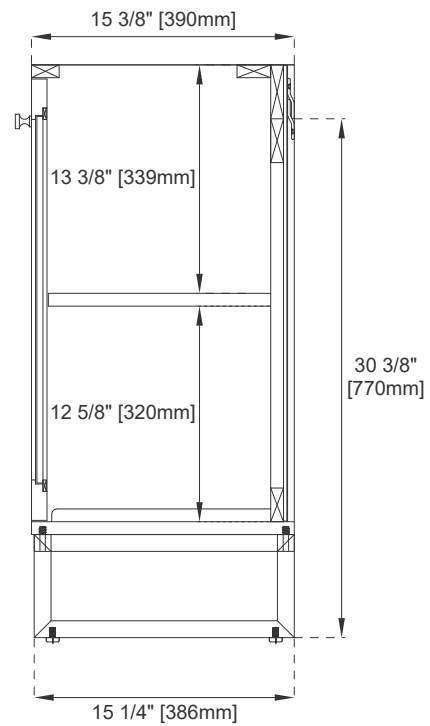
Visit website for warranty and installation information  
[www.jamesmartinvanities.com](http://www.jamesmartinvanities.com)

20" CHIANTI VANITY+BASE  
 E303-V20-GW  
 E303-V20-MG  
 E303-V20-WW

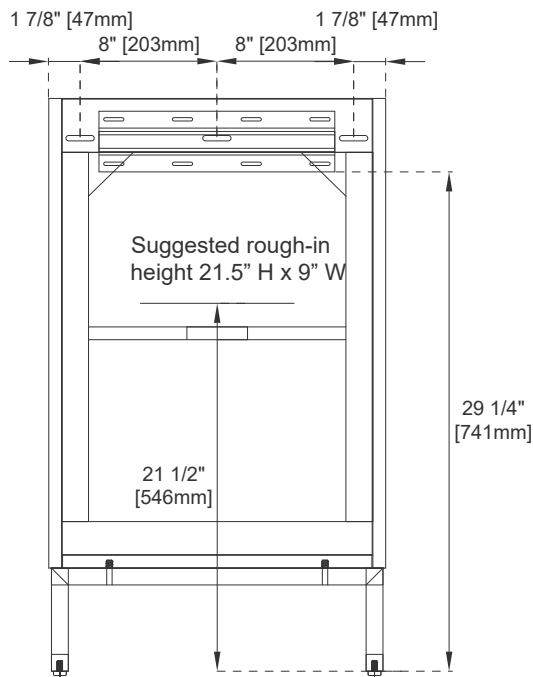
**JAMES MARTIN**  
 VANITIES



Side View 1



Side View 2



Back View

All dimensions are nominal  
 Diagrams are of cabinet only—James Martin Optional integrated sinktops are not shown

Visit website for warranty and installation information  
[www.jamesmartinvanities.com](http://www.jamesmartinvanities.com)