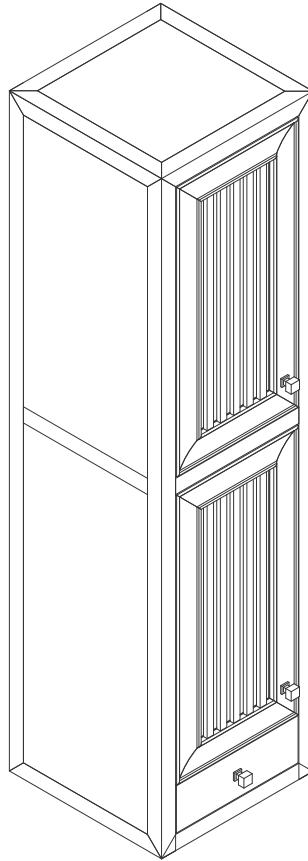


15" ATHENS TOWER HUTCH - LEFT

JAMES MARTIN
VANITIES

E645-H15L-GW



Features and Materials

Solids: Yellow Poplar

Panels: MDF

Installation Type: Floor Standing with Wooden Stand (E444-ST15-GW);
or Coordinate with Base Cabinet(E645-B15L-GW) & Countertop

Unit(E645-DU30-GW); or Wall Mounted

Number of Doors: Two

Number of Drawers: One

Assembly Type: Attach to Wall for wall mount or base for freestanding (hardware included)

Door Panel: Reversible. One Side Finished in Glossy White, One Side Natural Cork
(Pattern: Patchwork)

Drawer Box Material and Construction: 12mm Plywood/English Dovetail Joinery

Hardware Material and Finish: Zinc Alloy in Polished Chrome

Full Extension, Soft Close Glides

European Soft Close Hinges

Aluminum Laminate Drawer Liners

Dimension

Width: 14-7/8"

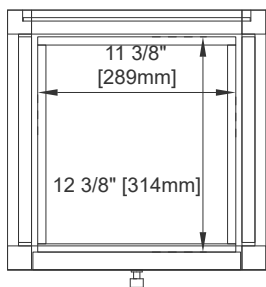
Depth: 15"

Height: 57-3/4"

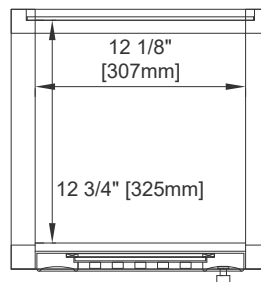
15" ATHENS TOWER HUTCH - LEFT

E645-H15L-GW

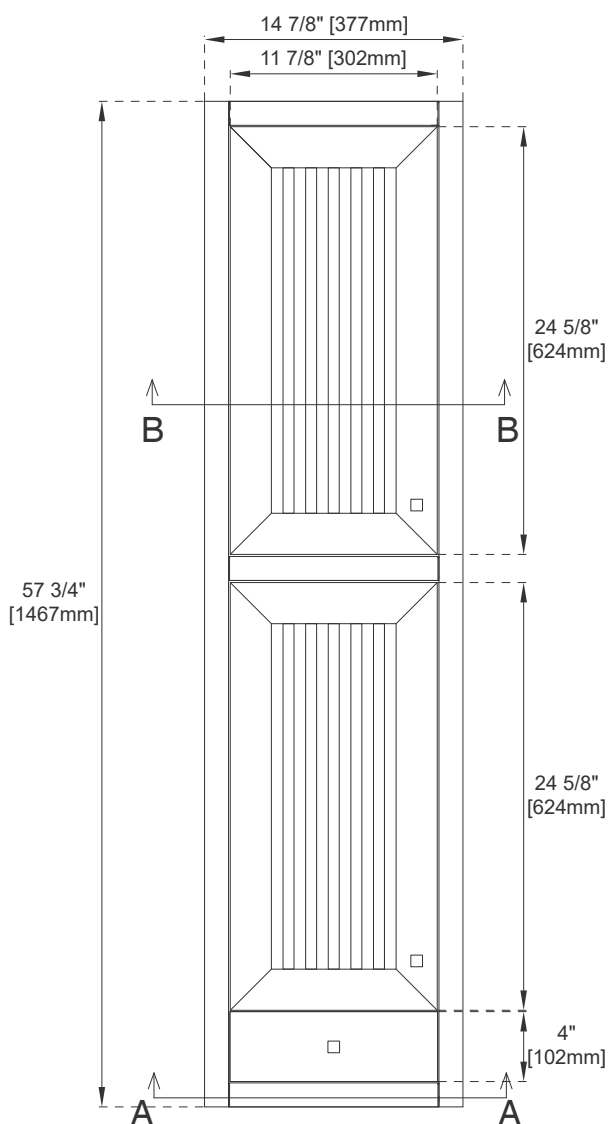
JAMES MARTIN VANITIES



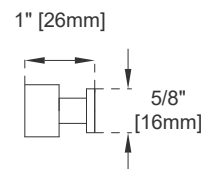
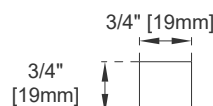
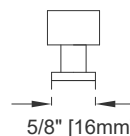
Top View 1
Section A-A



Top View 2
Section B-B



Front View



Knob

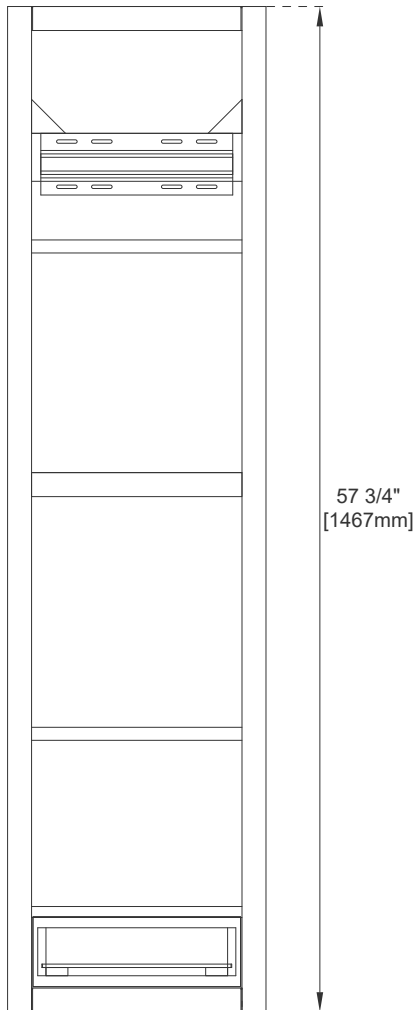
All dimensions are nominal

Visit website for warranty and installation information
www.jamesmartinvanities.com

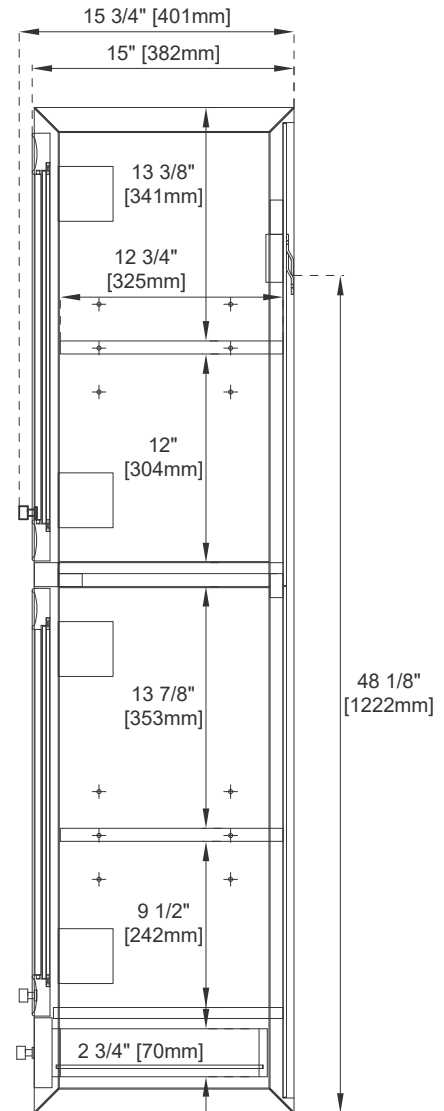
15" ATHENS TOWER HUTCH - LEFT

E645-H15L-GW

JAMES MARTIN VANITIES



Back View



Side View

All dimensions are nominal

Visit website for warranty and installation information
www.jamesmartinvanities.com