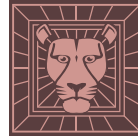


31.5"

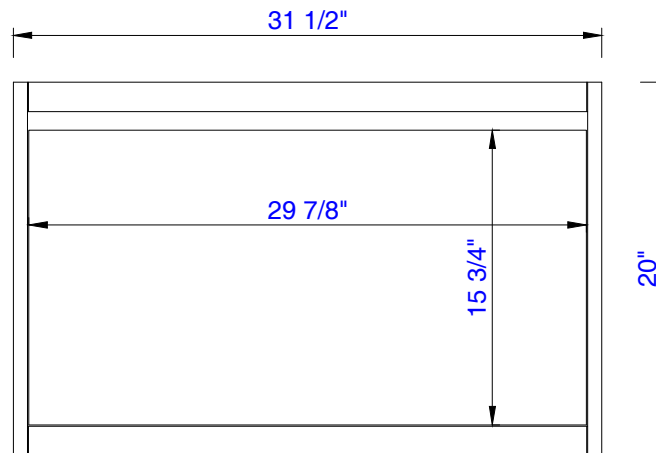
Item Number:  
801-V31.5-GW  
801-V31.5-WLT  
801-V31.5-MGG

JAMES MARTIN



VANITIES™

Milan 31.5" Single Vanity Cabinet  
Diagrams with Dimensions  
page 01 of 03



NOTE ONE: Countertops are not shown in these diagrams. (Cabinet Only)

NOTE TWO: This vanity does not have a Backsplash.

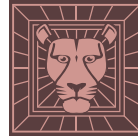
Please consult our website for Countertop Diagrams: [www.jamesmartinvanities.com](http://www.jamesmartinvanities.com)

Version:202011

31.5"

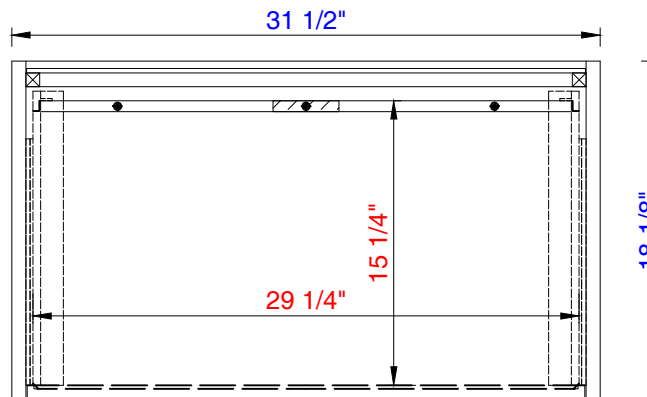
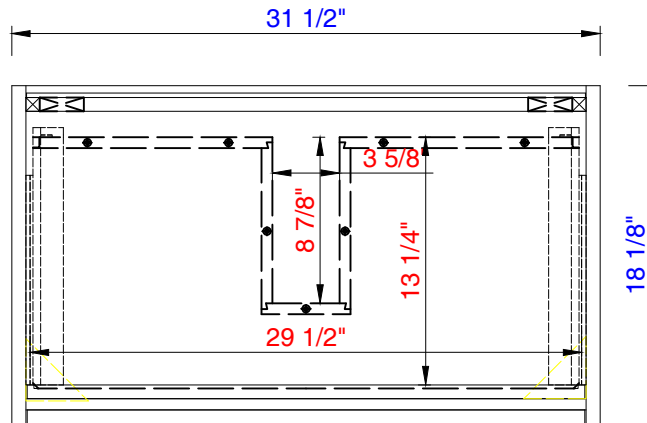
Item Number:  
801-V31.5-GW  
801-V31.5-WLT  
801-V31.5-MGG

JAMES MARTIN



VANITIES™

Milan 31.5" Single Vanity Cabinet  
Diagrams with Dimensions  
page 02 of 03



NOTE ONE: Countertops are not shown in these diagrams. (Cabinet Only)

NOTE TWO: Drawers (Shown) are designed to align with sinks in James Martin's Optional Countertops.

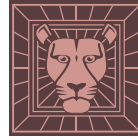
Customer's own countertops and sinks may align differently, and modification may be required.

Please consult our website for Countertop Diagrams: [www.jamesmartinvanities.com](http://www.jamesmartinvanities.com)

31.5"

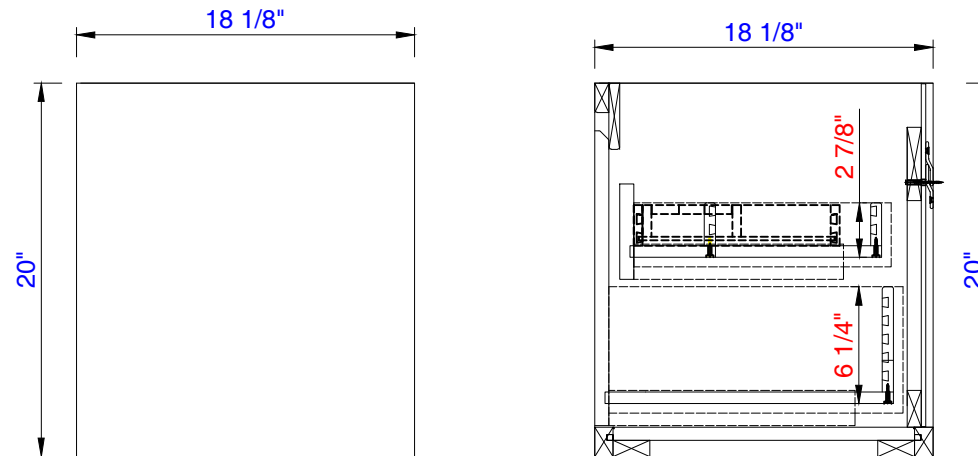
Item Number:  
801-V31.5-GW  
801-V31.5-WLT  
801-V31.5-MGG

JAMES MARTIN



VANITIES™

Milan 31.5" Single Vanity Cabinet  
Diagrams with Dimensions  
page 03 of 03



NOTE ONE: Countertops are not shown in these diagrams. (Cabinet Only)

NOTE TWO: This vanity does not have a Backsplash.

Please consult our website for Countertop Diagrams: [www.jamesmartinvanities.com](http://www.jamesmartinvanities.com)

Version:202011

800mm

Item Number:  
801-V31.5-GW  
801-V31.5-WLT  
801-V31.5-MGG

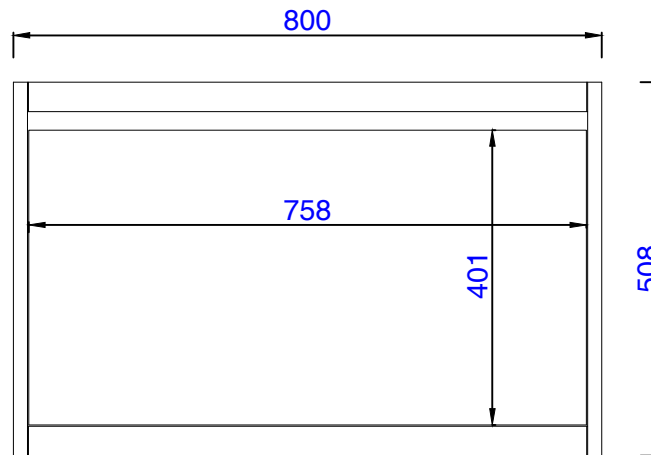
JAMES MARTIN



VANITIES™

Milan 800mm Single Vanity Cabinet

Diagrams with Dimensions  
page 01 of 03



NOTE ONE: Countertops are not shown in these diagrams. (Cabinet Only)

NOTE TWO: This vanity does not have a Backsplash.

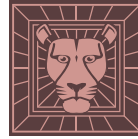
Please consult our website for Countertop Diagrams: [www.jamesmartinvanities.com](http://www.jamesmartinvanities.com)

Version:202011

800mm

Item Number:  
801-V31.5-GW  
801-V31.5-WLT  
801-V31.5-MGG

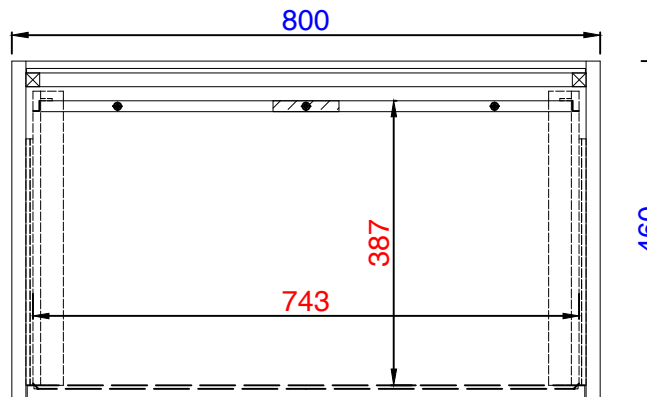
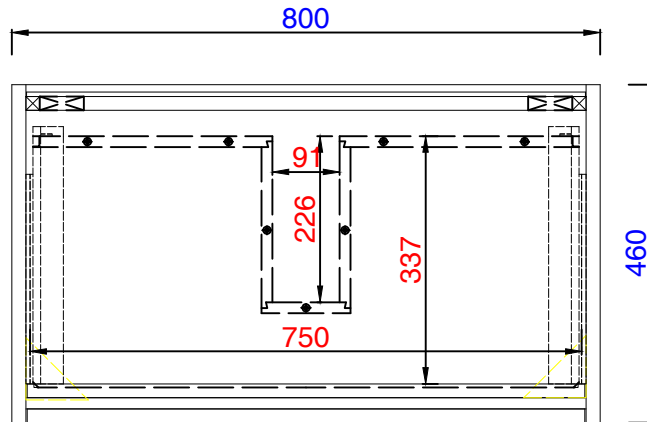
JAMES MARTIN



VANITIES™

Milan 800mm Single Vanity Cabinet

Diagrams with Dimensions  
page 02 of 03



NOTE ONE: Countertops are not shown in these diagrams. (Cabinet Only)

NOTE TWO: Drawers (Shown) are designed to align with sinks in James Martin's Optional Countertops.

Customer's own countertops and sinks may align differently, and modification may be required.

Please consult our website for Countertop Diagrams: [www.jamesmartinvanities.com](http://www.jamesmartinvanities.com)

800mm

Item Number:  
801-V31.5-GW  
801-V31.5-WLT  
801-V31.5-MGG

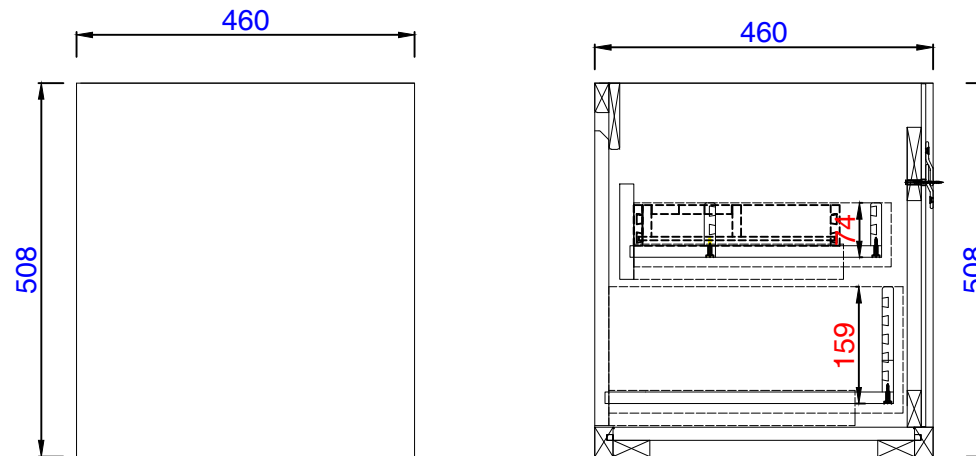
JAMES MARTIN



VANITIES™

Milan 800mm Single Vanity Cabinet

Diagrams with Dimensions  
page 03 of 03



NOTE ONE: Countertops are not shown in these diagrams. (Cabinet Only)

NOTE TWO: This vanity does not have a Backsplash.

Please consult our website for Countertop Diagrams: [www.jamesmartinvanities.com](http://www.jamesmartinvanities.com)

Version:202011