

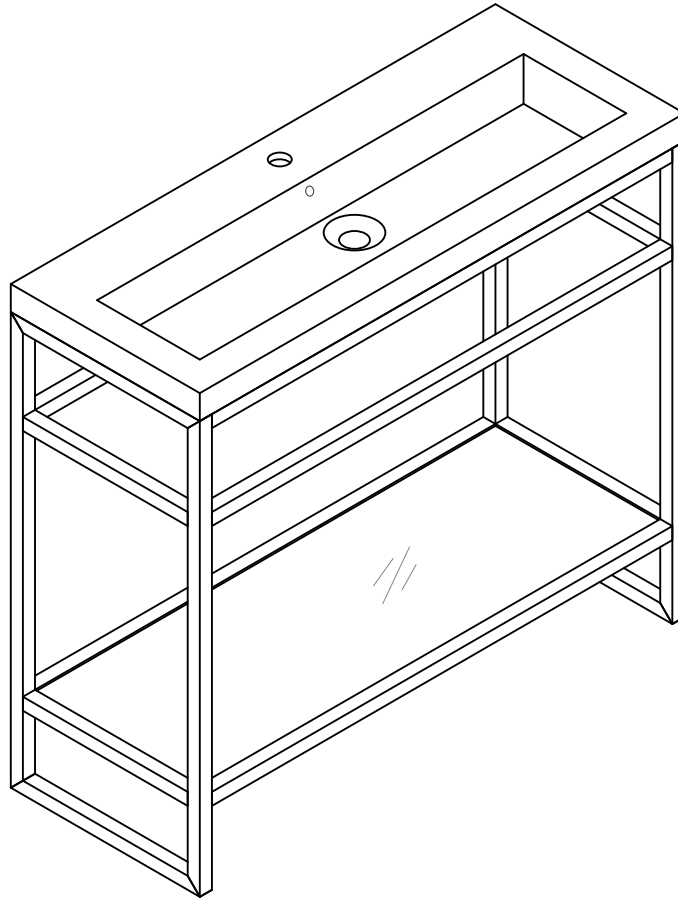
39.5" BOSTON SINK CONSOLE

C105-V39.5-BNK

C105-V39.5-MBK

C105-V39.5-RGD

JAMES MARTIN
VANITIES



Features and Materials

Metal Materials: Stainless Steel
Installation Type: Floor Standing
Number of Basins: One, Integrated Sinktop
Sinktop Included: NO, Sold Separately (CSP-S4016-WG)
Basin Overflow: YES
Number of Doors: 0
Number of Drawers: 0
Number of Glass Shelves: One
Assembly Required: Yes
Metal Finish: Brushed Nickel/Matte Black/Radiant Gold
Fits Drain Hole Size: 1-3/4"
Adjustable Levelers

Dimension

Width: 39-3/8"
Depth: 15-3/8"
Height: 33-1/2"
Rough-In Height: 21-1/2"

39.5" BOSTON SINK CONSOLE

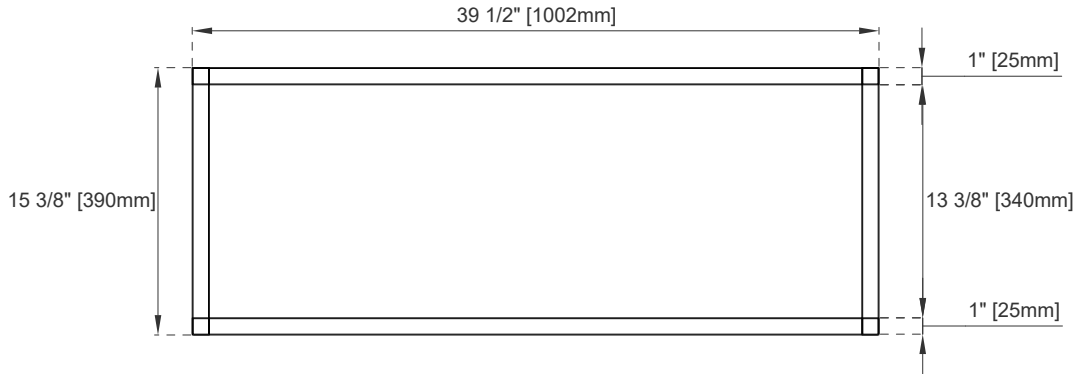
C105-V39.5-BNK

C105-V39.5-MBK

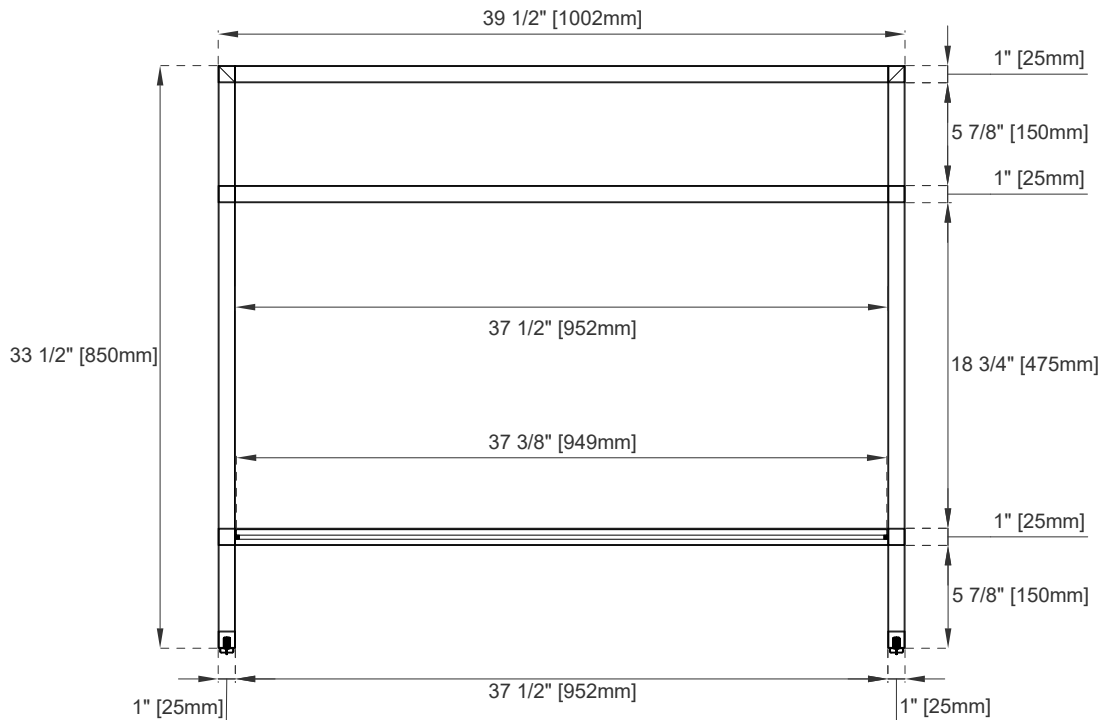
C105-V39.5-RGD

JAMES MARTIN

VANITIES



Top View



Front View

All dimensions are nominal
Diagrams are of sink console only-James Martin Optional integrated sinktops are not shown

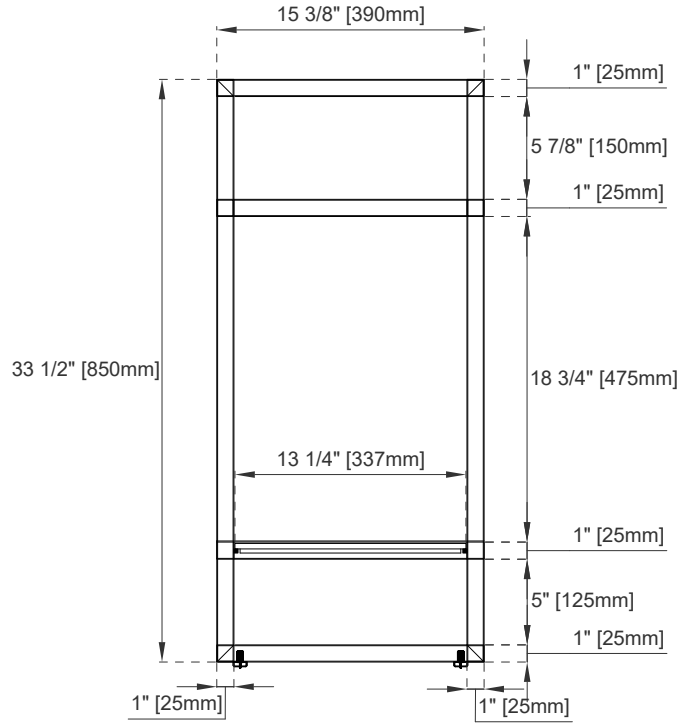
Visit website for warranty and installation information
www.jamesmartinvanities.com

39.5" BOSTON SINK CONSOLE

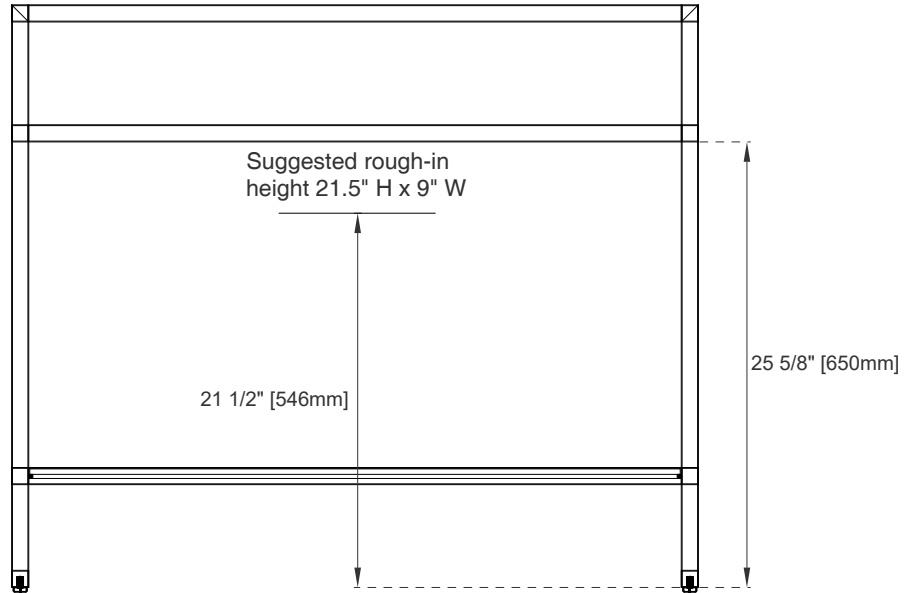
C105-V39.5-BNK

C105-V39.5-MBK

C105-V39.5-RGD



Side View



Back View

All dimensions are nominal

Diagrams are of sink console only-James Martin Optional integrated sinktops are not shown

Visit website for warranty and installation information
www.jamesmartinvanities.com