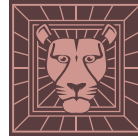


60" S

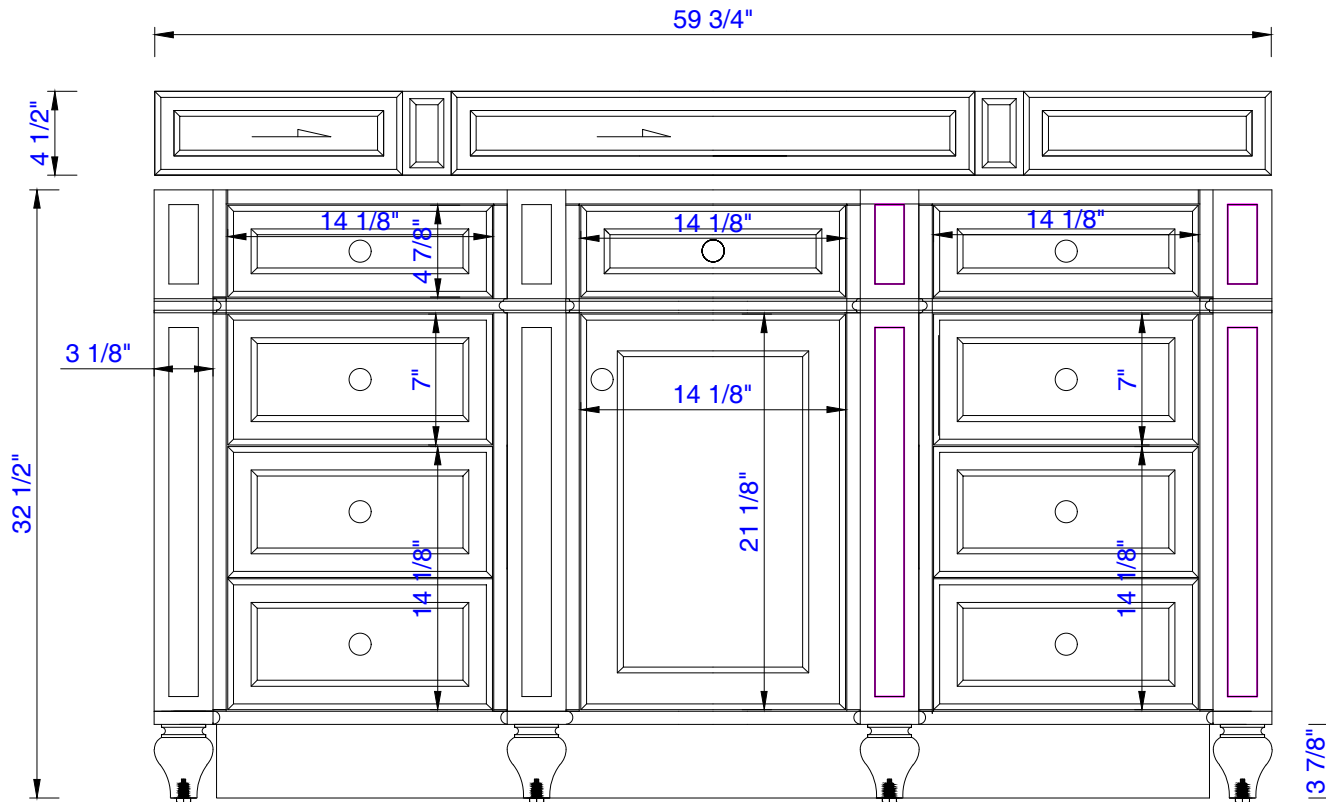
Item Number:
157-V60S-BW
157-V60S-SBR
157-V60S-VV
157-V60S-WW

JAMES MARTIN



VANITIES™

Bristol 60" Single Vanity Cabinet
Diagrams with Dimensions
page 01 of 03



NOTE ONE: Countertops are not shown in these diagrams .(Cabinet Only)

NOTE TWO: Wood Backsplash (Shown) is designed for the molding detail to align with sinks in James Martin's Optional Countertops.

Customers' own countertops and sinks may align differently.

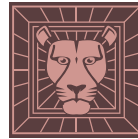
Please consult our website for Countertop Diagrams: www.jamesmartinvanities.com

Version:202107

60" S

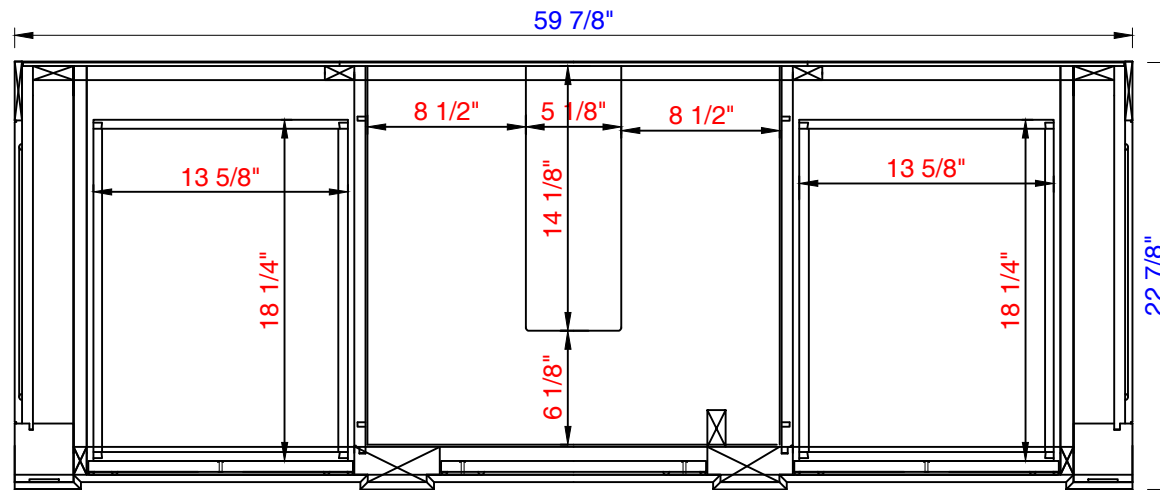
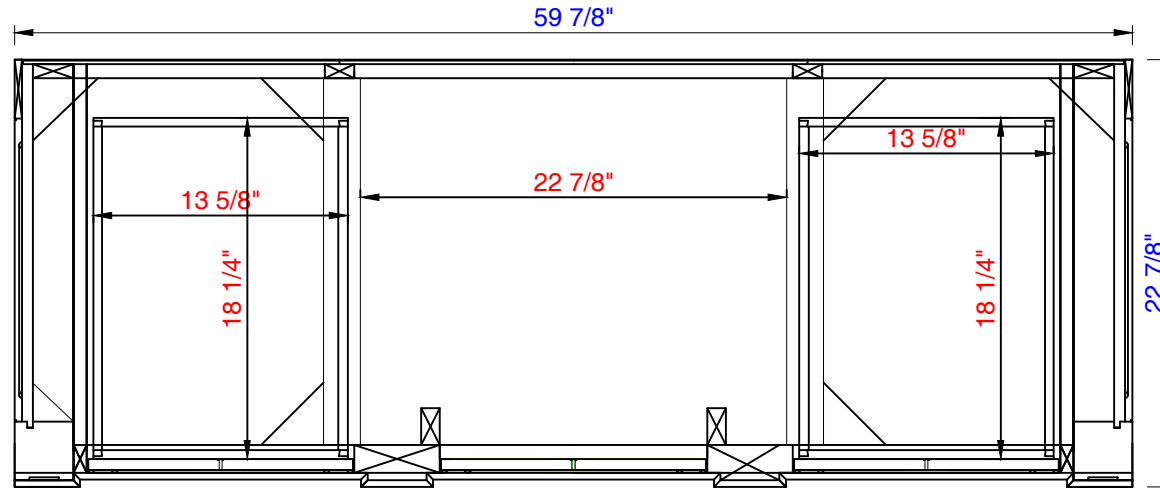
Item Number:
157-V60S-BW
157-V60S-SBR
157-V60S-VV
157-V60S-WW

JAMES MARTIN



VANITIES™

Bristol 60" Single Vanity Cabinet
Diagrams with Dimensions
page 02 of 03



NOTE ONE: Countertops are not shown in these diagrams .(Cabinet Only)

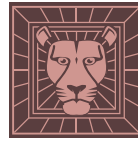
NOTE TWO: Internal Shelves (Shown) are designed to align with sinks in James Martin's Optional Countertops.
Customers' own countertops and sinks may align differently, and modification may be required.
Please consult our website for Countertop Diagrams: www.jamesmartinvanities.com

Version:202107

60" S

Item Number:
157-V60S-BW
157-V60S-SBR
157-V60S-VV
157-V60S-WW

JAMES MARTIN

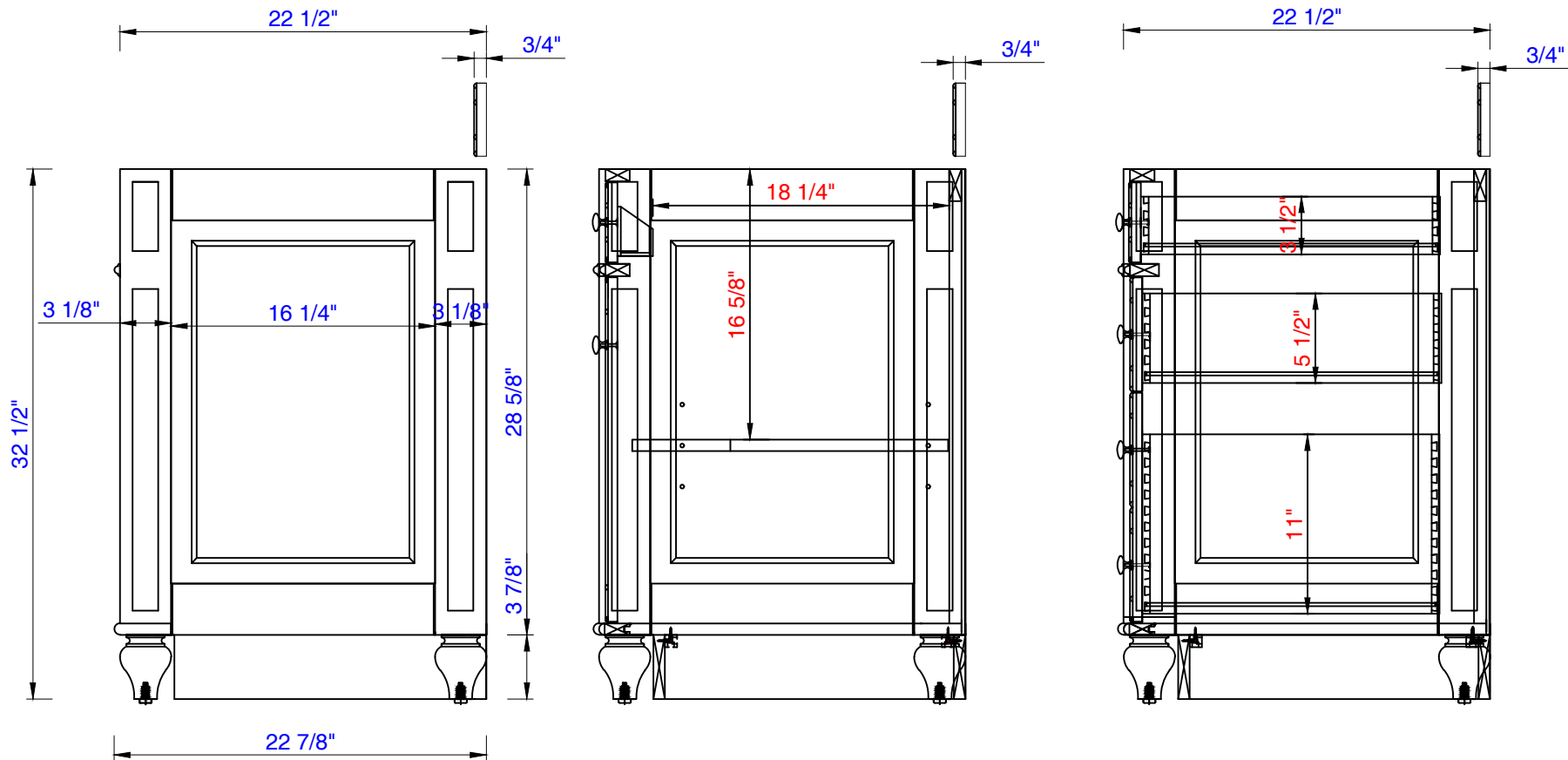


VANITIES™

Bristol 60" Single Vanity Cabinet

Diagrams with Dimensions

page 03 of 03



NOTE ONE: Countertops are not shown in these diagrams .(Cabinet Only)

NOTE TWO: Wood Backsplash (Shown) is designed for the molding detail to align with sinks in James Martin's Optional Countertops.

Customers' own countertops and sinks may align differently.

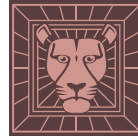
Please consult our website for Countertop Diagrams: www.jamesmartinvanities.com

Version:202107

1524mm

Item Number:
157-V60S-BW
157-V60S-SBR
157-V60S-VV
157-V60S-WW

JAMES MARTIN

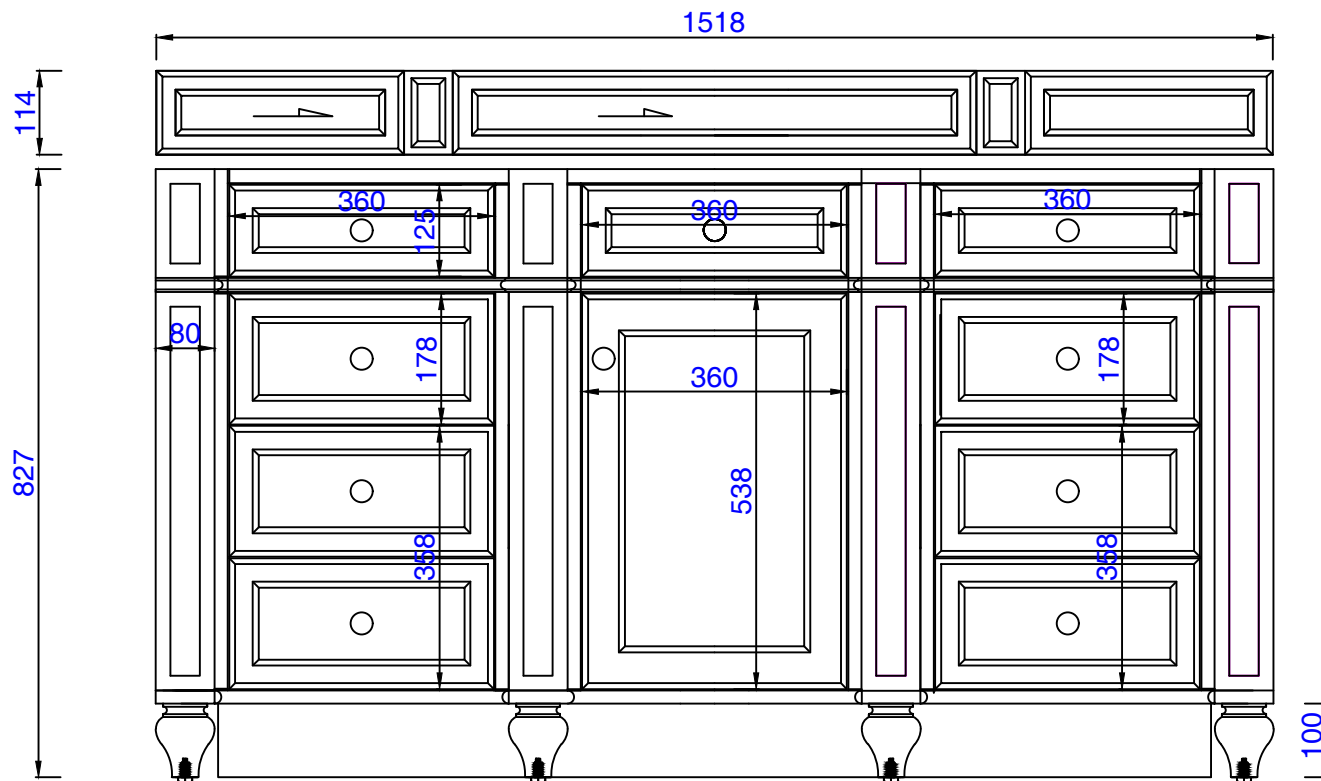


VANITIES™

Bristol 1524mm Single Vanity Cabinet

Diagrams with Dimensions

page 01 of 03



NOTE ONE: Countertops are not shown in these diagrams .(Cabinet Only)

NOTE TWO: Wood Backsplash (Shown) is designed for the molding detail to align with sinks in James Martin's Optional Countertops.

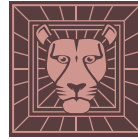
Customers' own countertops and sinks may align differently.

Please consult our website for Countertop Diagrams: www.jamesmartinvanities.com

Version:202107

1524mm

JAMES MARTIN



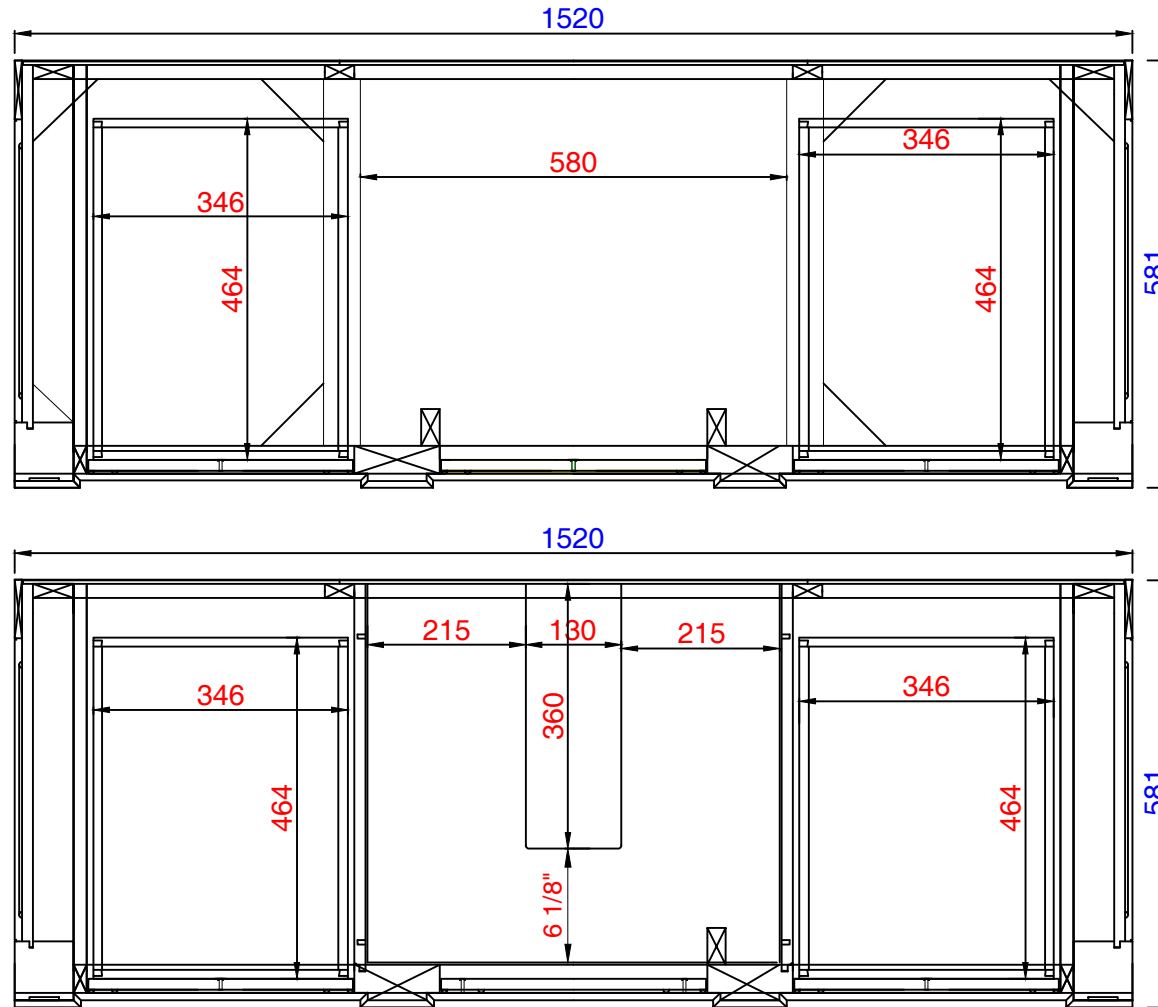
VANITIES™

Bristol 1524mm Single Vanity Cabinet

Diagrams with Dimensions

page 02 of 03

Item Number:
157-V60S-BW
157-V60S-SBR
157-V60S-VV
157-V60S-WW



NOTE ONE: Countertops are not shown in these diagrams .(Cabinet Only)

NOTE TWO: Internal Shelves (Shown) are designed to align with sinks in James Martin's Optional Countertops.

Customers' own countertops and sinks may align differently, and modification may be required.

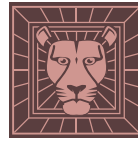
Please consult our website for Countertop Diagrams: www.jamesmartinvanities.com

Version:202107

1524mm

Item Number:
157-V60S-BW
157-V60S-SBR
157-V60S-VV
157-V60S-WW

JAMES MARTIN

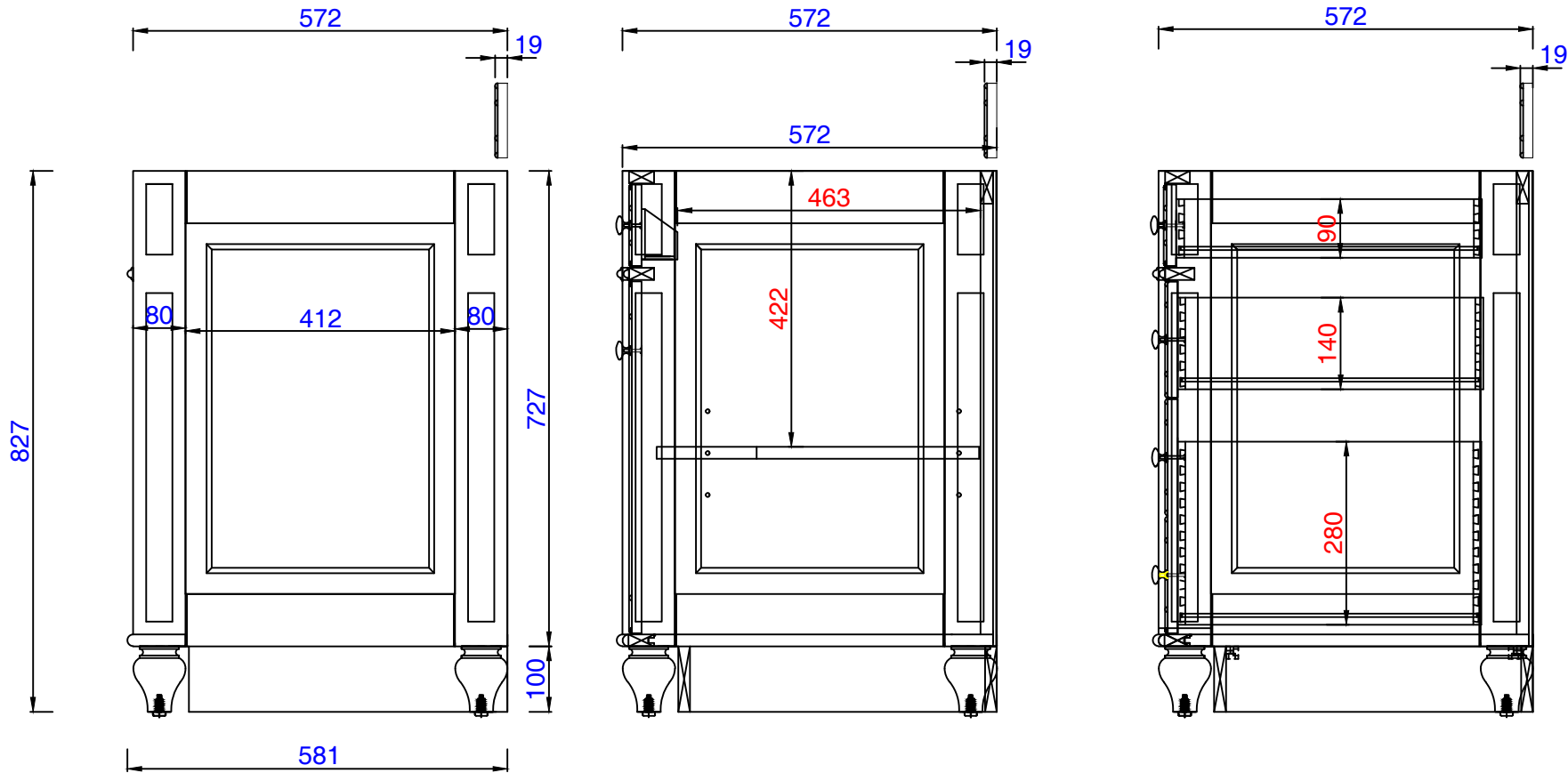


VANITIES™

Bristol 1524mm Single Vanity Cabinet

Diagrams with Dimensions

page 03 of 03



NOTE ONE: Countertops are not shown in these diagrams .(Cabinet Only)

NOTE TWO: Wood Backsplash (Shown) is designed for the molding detail to align with sinks in James Martin's Optional Countertops.

Customers' own countertops and sinks may align differently.

Please consult our website for Countertop Diagrams: www.jamesmartinvanities.com

Version:202107