



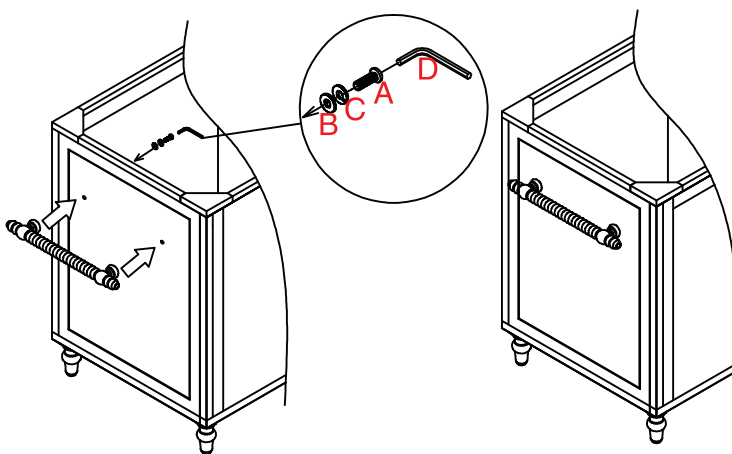
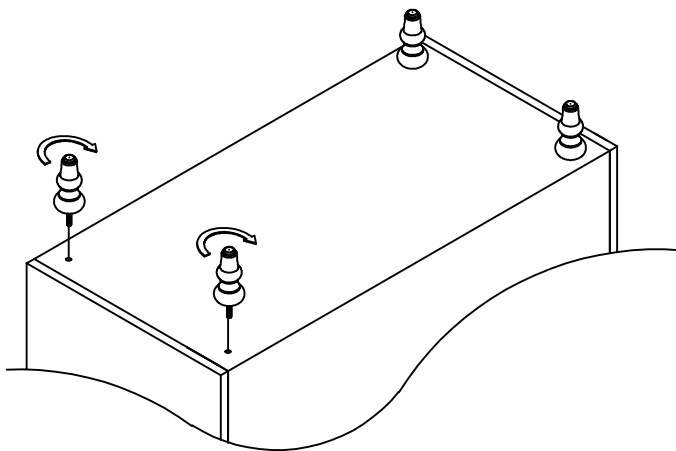
Copper Cove Vanity Assembly Instructions:
300-V26 / 300-V48


Step 1: To attach the legs, place the vanity cabinet upside down on a blanket on similar soft material.


Note 1: James Martin recommends a minimum of two people for the assembly of all 300/301 Copper Cove cabinets.


Note 2: Legs and assembly hardware and towel bars are located in special packages inside the cabinet or inside the carton. Please look for these parts before discarding the original carton and packing materials.

Step 2: Attached the feet by turning them to the "right" (clockwise) as shown in the diagram on the left.



A=4pcs Ø1/4*1-1/2 

B=4pcs Ø1/4 

C=4pcs Ø1/4 

D=1pcs 

Step 3: Remove any drawers near the towel bars for easier access to attach the hardware.

Step 4: Please hold the towel bar handles against the pre-drilled holes in the cabinet. Insert the bolt through the Flat Washer (B) and the Spring Washer (C) through the cabinet and into the towel bar handles. The Allen wrench needed to tighten the bolts is included in the specially red marked hardware bag.