



Chianti Vanity Cabinets: E303-V16-GW E303-V16-MG E303-V16-WW

Assembly / Installation Instructions for both wall mounting (floating) and freestanding with metal base

Chianti Metal Bases: E303-B16-BNK E303-B16-MBK E303-B16-RGD

Important Notes:

This vanity cabinet may be used freestanding, or may be mounted to a wall (floating).

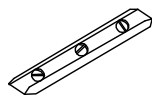
If you are using this cabinet as a freestanding unit with the stainless steel base, please follow the instructions on pages 06 - 09 *.

If you are using this cabinet as a wall mounted (floating) unit, please refer to pages 01 - 05 *.

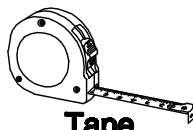
Door Pulls:

Three color of door pull (BNK Brushed Nickel) / (MBK Matte Black) / (RGD Radiant Gold) are included with the cabinet, so you may choose the color which best suits your room.

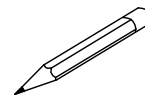
Materials for Installation:



Level

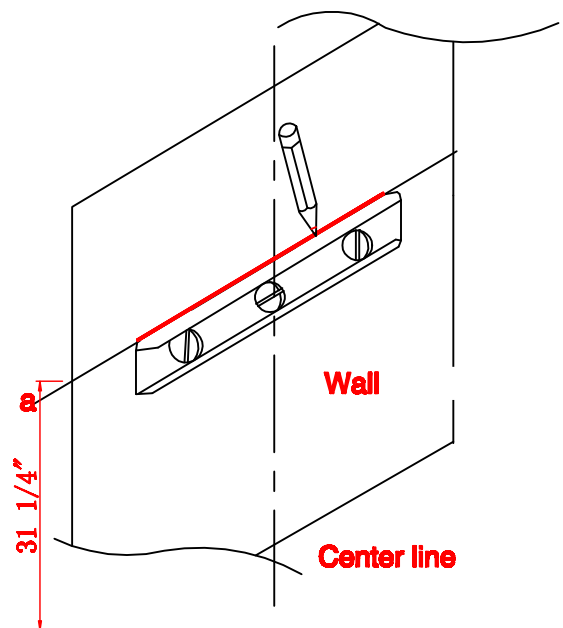
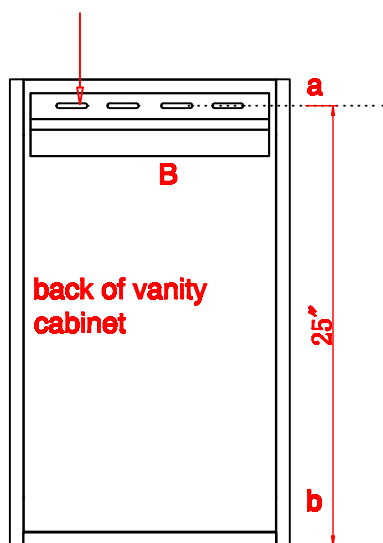


Tape Measuring



Pencil

B pre-attached metal mounting (French Cleat) bracket



Step 1 Notes:

The metal mounting bracket has been pre-installed to the backside of the cabinet 25" from the bottom of the cabinet.

Step 2 Notes:

Draw a horizontal line on the wall at your desired height. For this cabinet, most people use a height of 31 1/4"

* For your safety and to achieve the best possible installation of this vanity cabinet, James Martin Vanities always recommends you consult with a professional contractor. Two people are required for the assembly and installation of this vanity cabinet.



Chianti Vanity Cabinets: E303-V16-GW E303-V16-MG E303-V16-WW

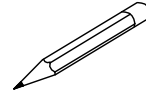
Assembly / Installation Instructions for both wall mounting (floating) and freestanding with metal base

Chianti Metal Bases: E303-B16-BNK E303-B16-MBK E303-B16-RGD

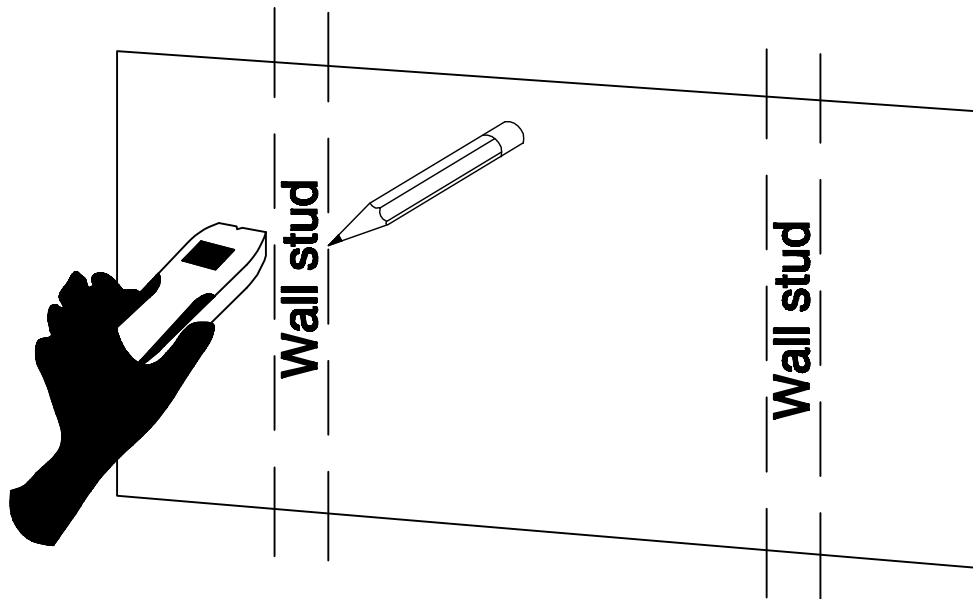
**Materials
for
Installation:**



Stud Finder



Pencil



Step 3 Notes:

Locate and mark the position of the wall's interior studs to which you will fasten the metal bracket.

We recommend the use of an electronic stud finder to locate the studs.

(Alternately, you may find studs by listening for a solid sound as you knock on the wall)

Special Note 1:

If the studs in your bathroom do not line up to the mounting location for your vanity, additional wood blocking can be installed between the studs using standard 2 x 4 lumber.

Special Note 2:

Due to the narrow width of this cabinet, you may decide to use drywall anchors if the wall studs are not spaced appropriately.

IMPORTANT:

James Martin Vanities recommended you always consult with professional installers and contractors regarding the correct installation of our products.

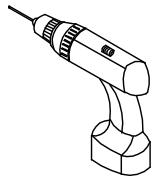


Chianti Vanity Cabinets: E303-V16-GW E303-V16-MG E303-V16-WW

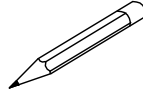
Assembly / Installation Instructions for both wall mounting (floating) and freestanding with metal base

Chianti Metal Bases: E303-B16-BNK E303-B16-MBK E303-B16-RGD

Materials for Installation:



Drill



Pencil

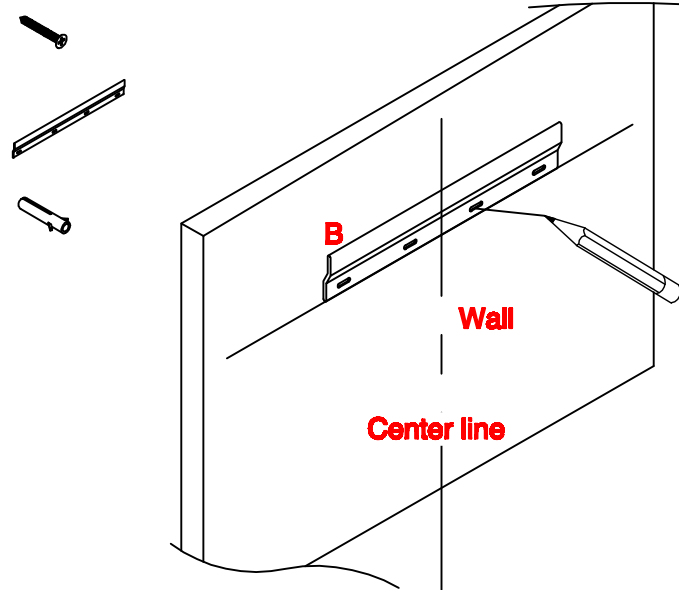


Hammer

A=4PCS screws for bracket Ø4*40

B=1PC metal bracket (13 3/4" 350mm)

C=4PCS drywall anchors (optional)* Ø8*38

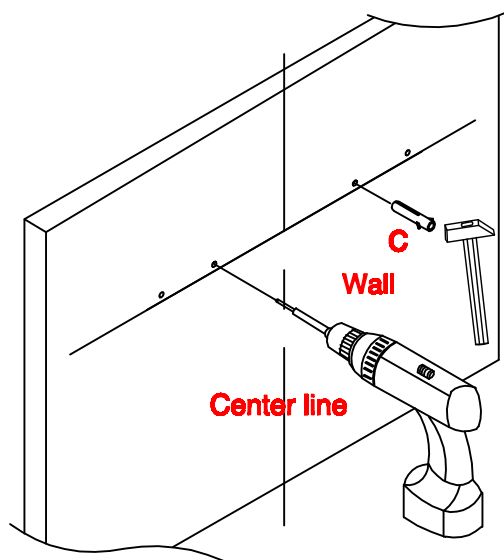


Step 4 Notes:

After you have located the wall studs, position the metal bracket so the holes align with the center points of the studs. Mark these positions with a pencil.

Step 5 Notes:

Drill holes for the screws in the positions you have marked with the pencil. Drill the holes' depth no less than 1 1/2". insert "C" to the holes by using hammer if wall studs are not in the correct positions.



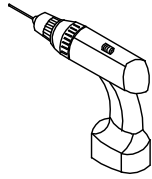


Chianti Vanity Cabinets: E303-V16-GW E303-V16-MG E303-V16-WW

Assembly / Installation Instructions for both wall mounting (floating) and freestanding with metal base

Chianti Metal Bases: E303-B16-BNK E303-B16-MBK E303-B16-RGD

**Materials
for
Installation:**

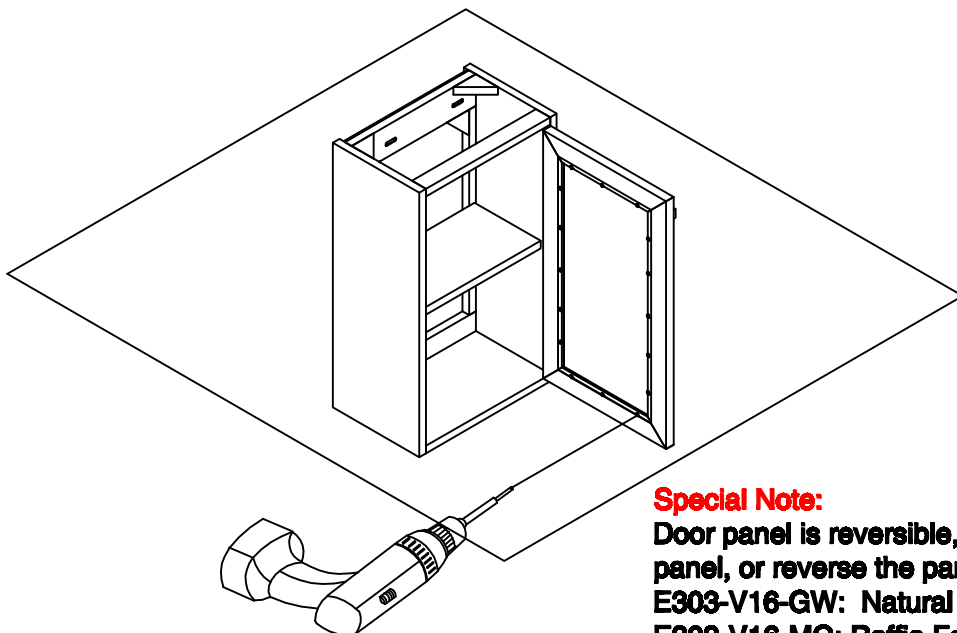
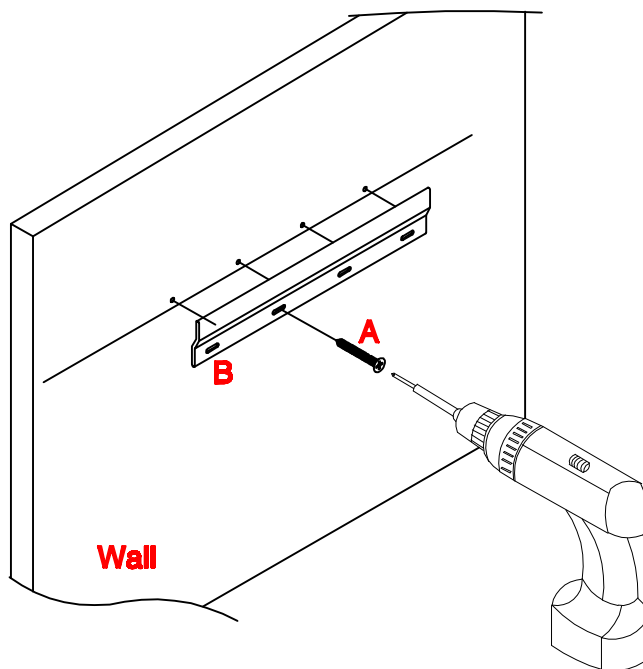


Drill

Step 6 Notes:

Attach the metal bracket **B** to the Wall using the screws **A** included in the red hardware bag.

*Use hardware **C** (drywall anchors) if wall studs are not in the correct positions.



Special Note:

Door panel is reversible, choose to show either the matching wood panel, or reverse the panel to show a special material as below.

E303-V16-GW: Natural Cork, Pattern: Casablanca

E303-V16-MG: Raffia Fabric, Pattern: Lina Bianca

E303-V16-WW: Embossed Vinyl, Pattern Taupe Herringbone



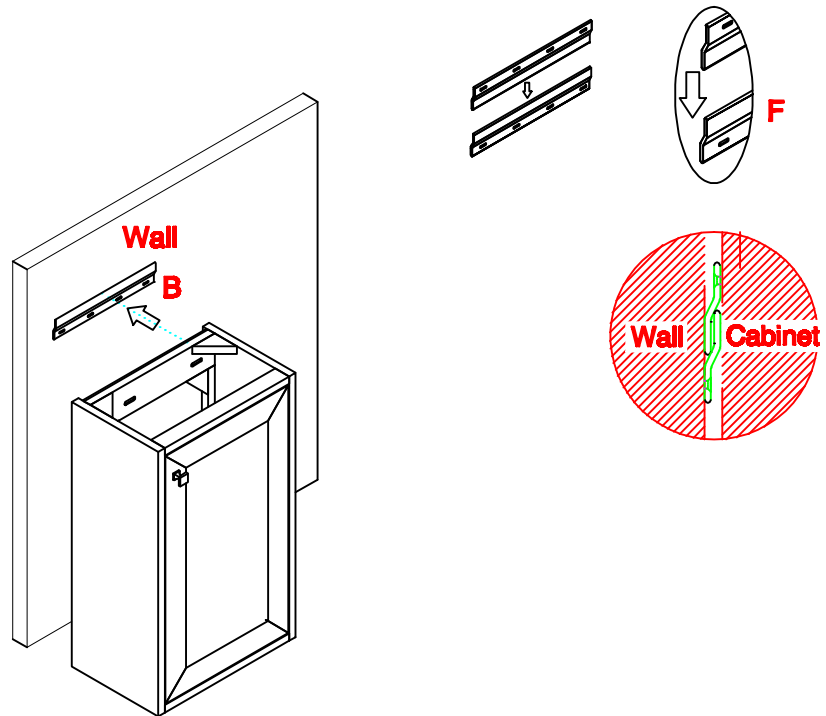
Chianti Vanity Cabinets: E303-V16-GW E303-V16-MG E303-V16-WW

Assembly / Installation Instructions for both wall mounting (floating) and freestanding with metal base

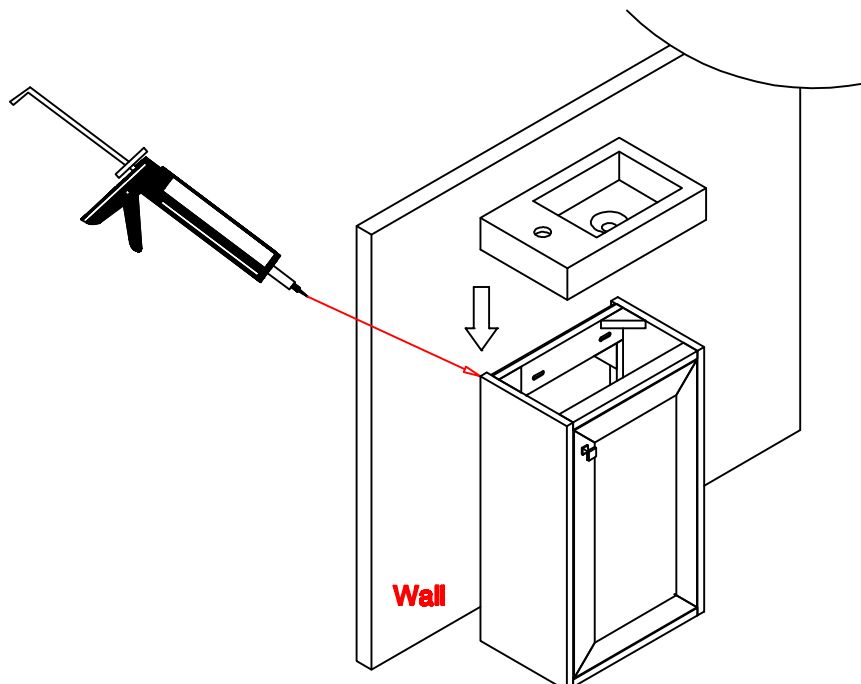
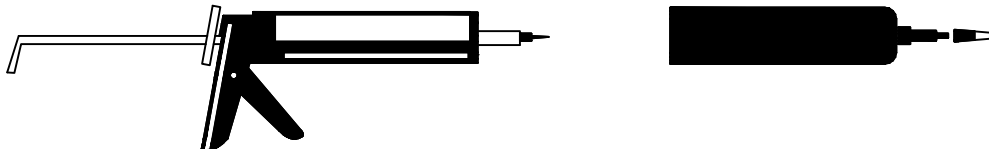
Chianti Metal Bases: E303-B16-BNK E303-B16-MBK E303-B16-RGD

Step 7 Notes:

Hang the cabinet on the metal bracket (Figure F)



Materials for Installation:



Step 8 Notes:

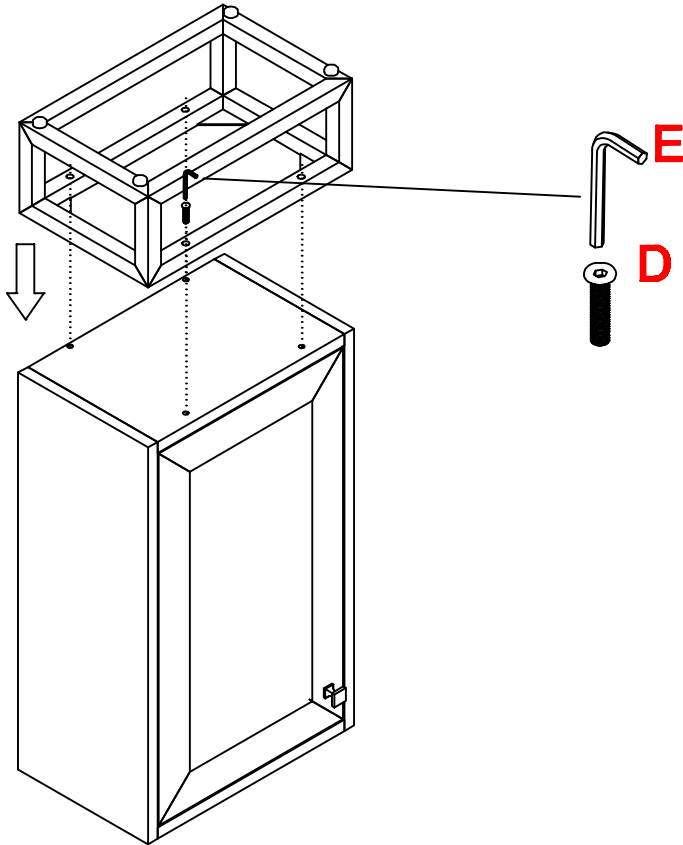
Properly align and secure the countertop to the cabinet with high quality adhesive.



Chianti Vanity Cabinets: E303-V16-GW E303-V16-MG E303-V16-WW

Assembly / Installation Instructions for both wall mounting (floating) and freestanding with metal base

Chianti Metal Bases: E303-B16-BNK E303-B16-MBK E303-B16-RGD



Warning: To prevent accidental tip-over of these cabinets, you must follow these steps.

Step 1b Notes:

Place the vanity cabinet upside down on a blanket or other soft material, to prevent scratching.

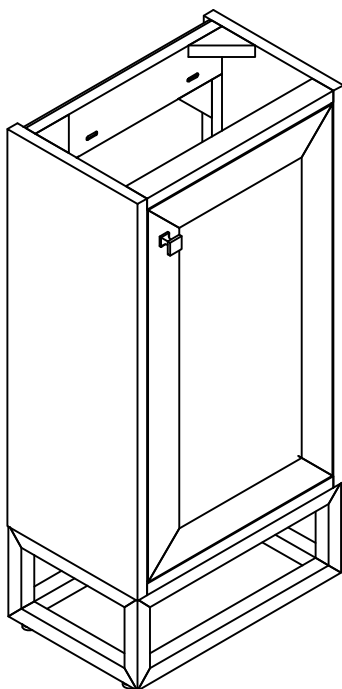
Step 2b Notes:

Attach the metal bolts (D) to the bottom of the vanity cabinet. Secure the bolts by turning the Allen Wrench (E)

E = 1 pc Allen Wrench (#4)



D = 4 x Bolts 1/4 x 1 1/2"



Step 3b Notes:

Once the metal base has been safely and securely attached to the vanity cabinet, you may return the cabinet to the upright position.

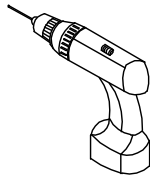


Chianti Vanity Cabinets: E303-V16-GW E303-V16-MG E303-V16-WW

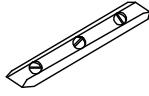
Assembly / Installation Instructions for both wall mounting (floating) and freestanding with metal base

Chianti Metal Bases: E303-B16-BNK E303-B16-MBK E303-B16-RGD

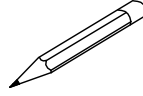
Materials for Installation:



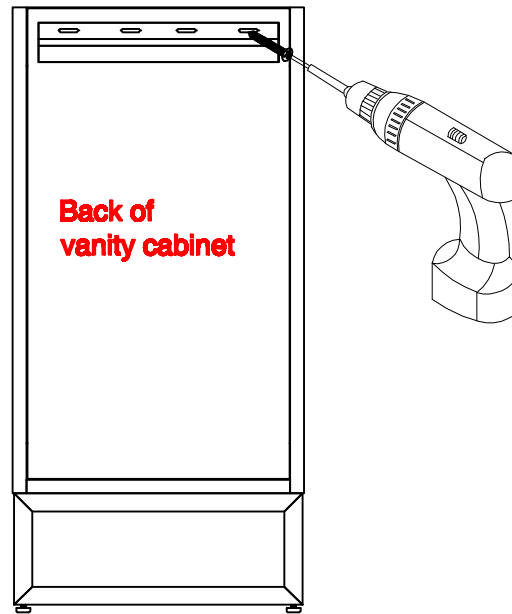
Drill



Level



Pencil

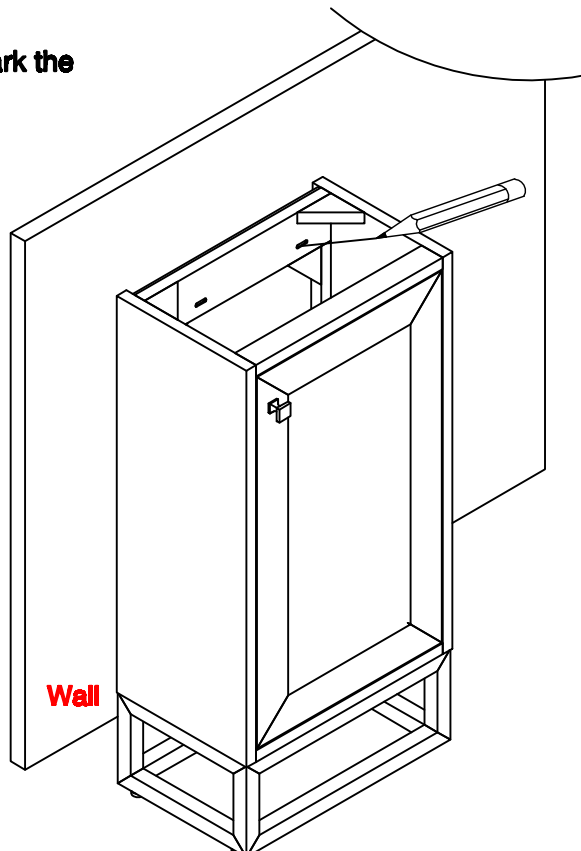


Step 4b Notes:

Remove the pre-attached metal mounting (French Cleat) bracket

Step 5b Notes:

Put the cabinet against the wall, mark the positions with a pencil through the pre-drilled holes on the back rail.



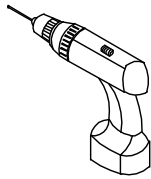


Chianti Vanity Cabinets: E303-V16-GW E303-V16-MG E303-V16-WW

Assembly / Installation Instructions for both wall mounting (floating) and freestanding with metal base

Chianti Metal Bases: E303-B16-BNK E303-B16-MBK E303-B16-RGD

Materials for Installation:



Drill

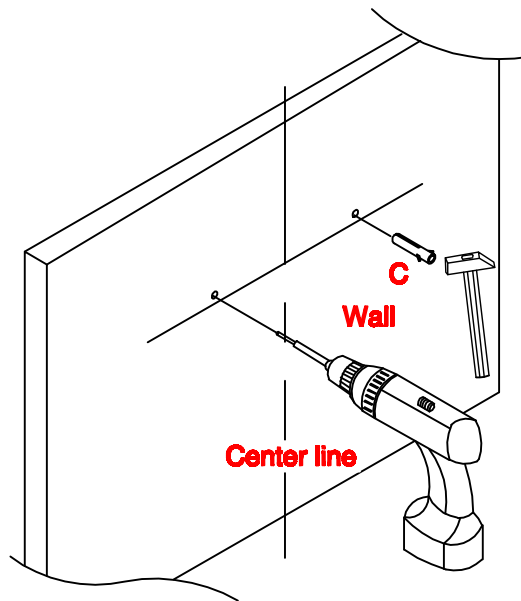


Hammer

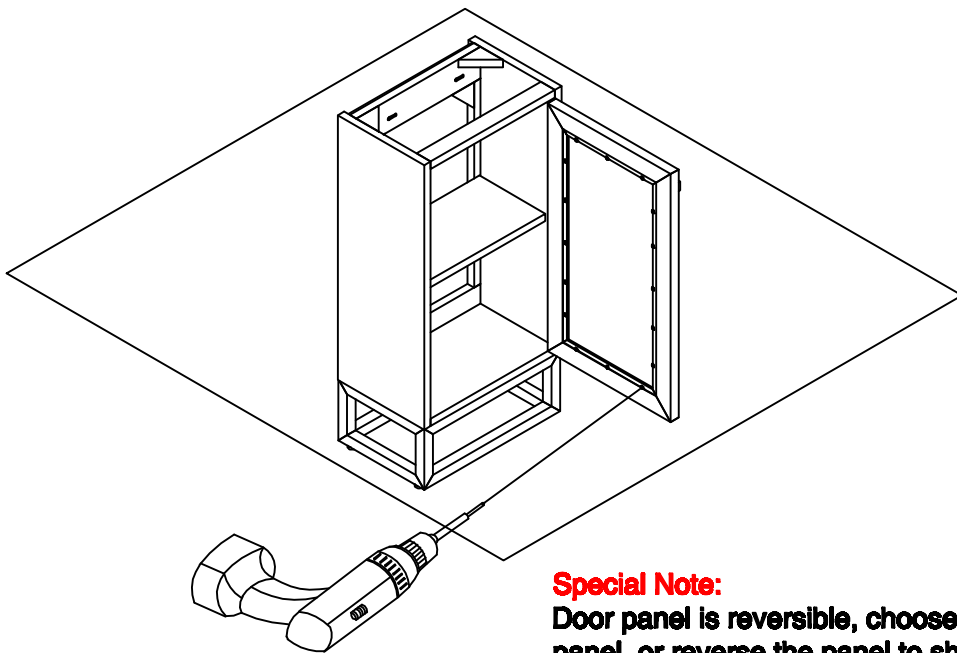
Step 6b Notes:

Drill holes for the screws in the positions you have marked with the pencil.

Drill the holes' depth no less than 1 1/2". Insert hardware **C** (drywall anchors) to the holes by using hammer if wall studs are not in the correct positions.



C=2PCS drywall anchors (optional)* Ø8*38



Special Note:

Door panel is reversible, choose to show either the matching wood panel, or reverse the panel to show a special material as below.

E303-V16-GW: Natural Cork, Pattern: Casablanca

E303-V16-MG: Raffia Fabric, Pattern: Lina Bianca

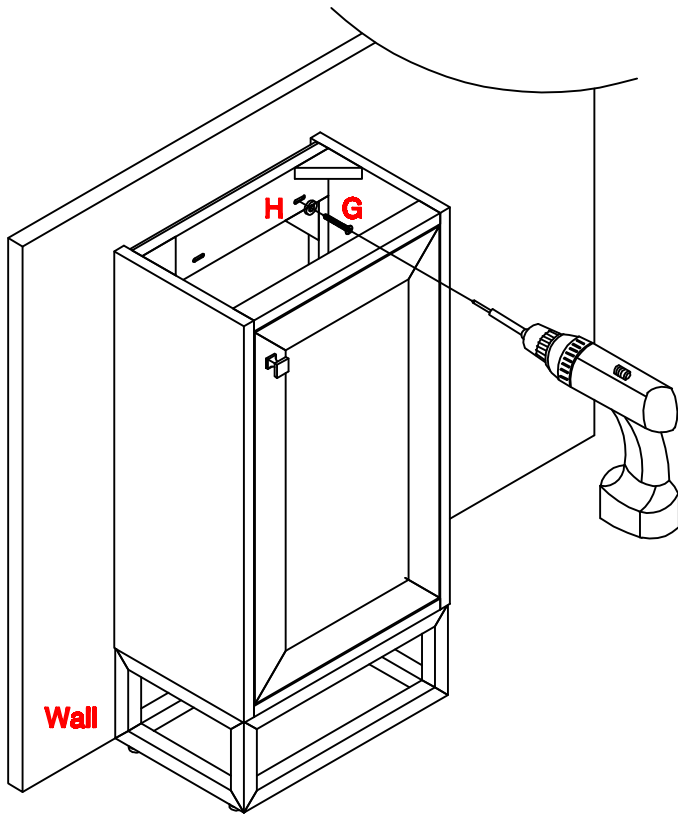
E303-V16-WW: Embossed Vinyl, Pattern Taupe Herringbone



Chianti Vanity Cabinets: E303-V16-GW E303-V16-MG E303-V16-WW

Assembly / Installation Instructions for both wall mounting (floating) and freestanding with metal base

Chianti Metal Bases: E303-B16-BNK E303-B16-MBK E303-B16-RGD



G=2PCS Screw Ø4*60



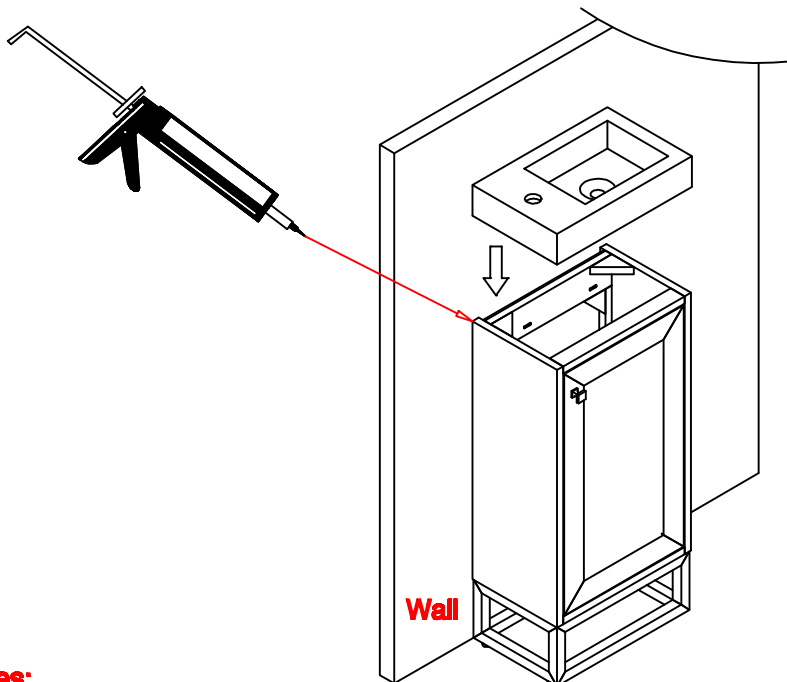
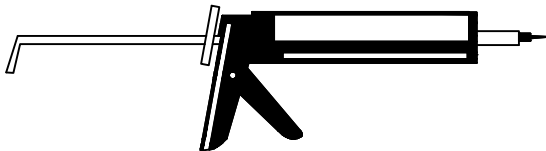
H=2PCS flat gasket Ø11



Step 7b Notes:

Secure the cabinet to the wall using hardware **G** (screws) and Flat Washer **H** for wall studs.

Materials for Installation:



Step 8b Notes:

Properly align and secure the countertop to the cabinet with high quality adhesive.