



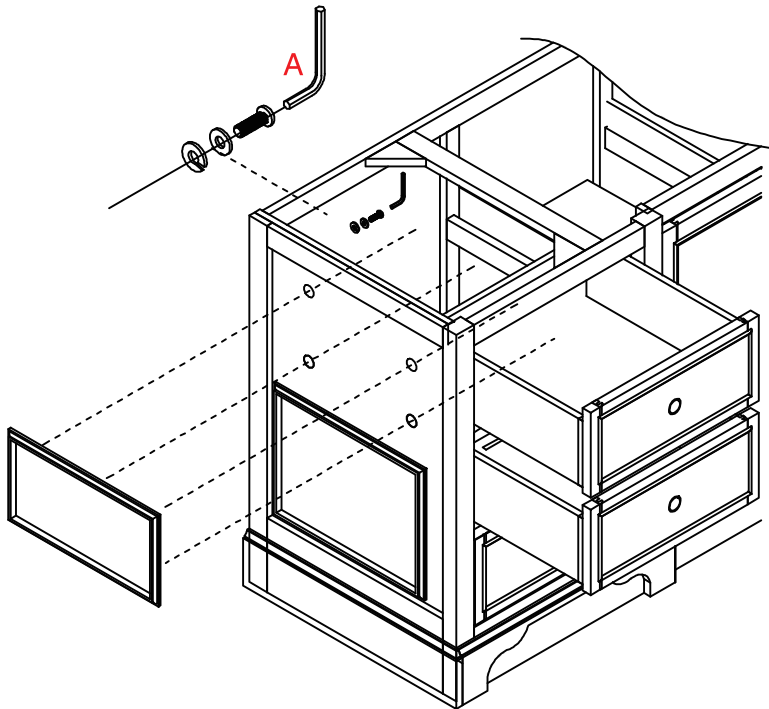
De Soto Optional Makeup Counter 825-DU22 Assembly Instructions.
Same Instructions for use with: 825-V30 / 825-V36 / 825-V48 / 825 -V60S

IMPORTANT: James Martin recommends a minimum of two people for the assembly of all 825 De Soto cabinets with makeup drawer. You will need a tape measure for this assembly.

Step 1a: Remove any vanity cabinet drawers near the pre-drilled holes for easier access to attach the makeup drawer.

Step 2a: Remove the removable panel from cabinet as shown in the diagram on the left.

Note: Cabinets ship with panels pre-attached.



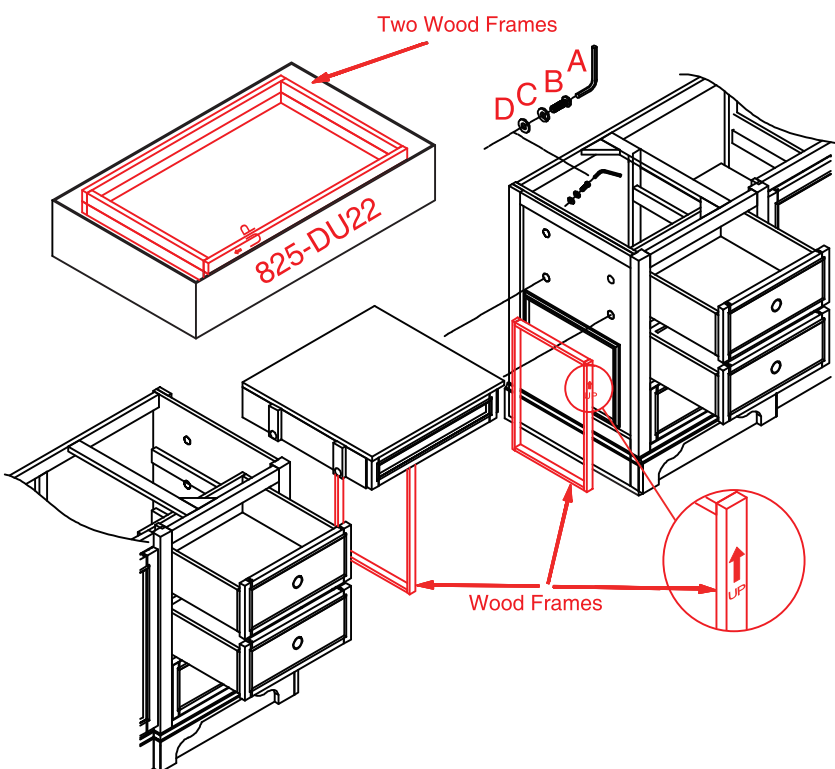
A=1pc	Ø4	
B=6pcs	Ø1/4*1	
C=6pcs	Ø1/4	
D=6pcs	Ø16	

Step 3a: Locate the two rectangular wood frames included inside the carton. The frames are used to support the makeup drawer during assembly and make the installation process easier.

Step 4a: Place one of the cabinets in it's final position in your bathroom. Place the second cabinet approximately 24-25 inches away from the side of the first cabinet. This location allows space for the makeup counter plus a few extra inches needed to correctly position and attached the drawers.

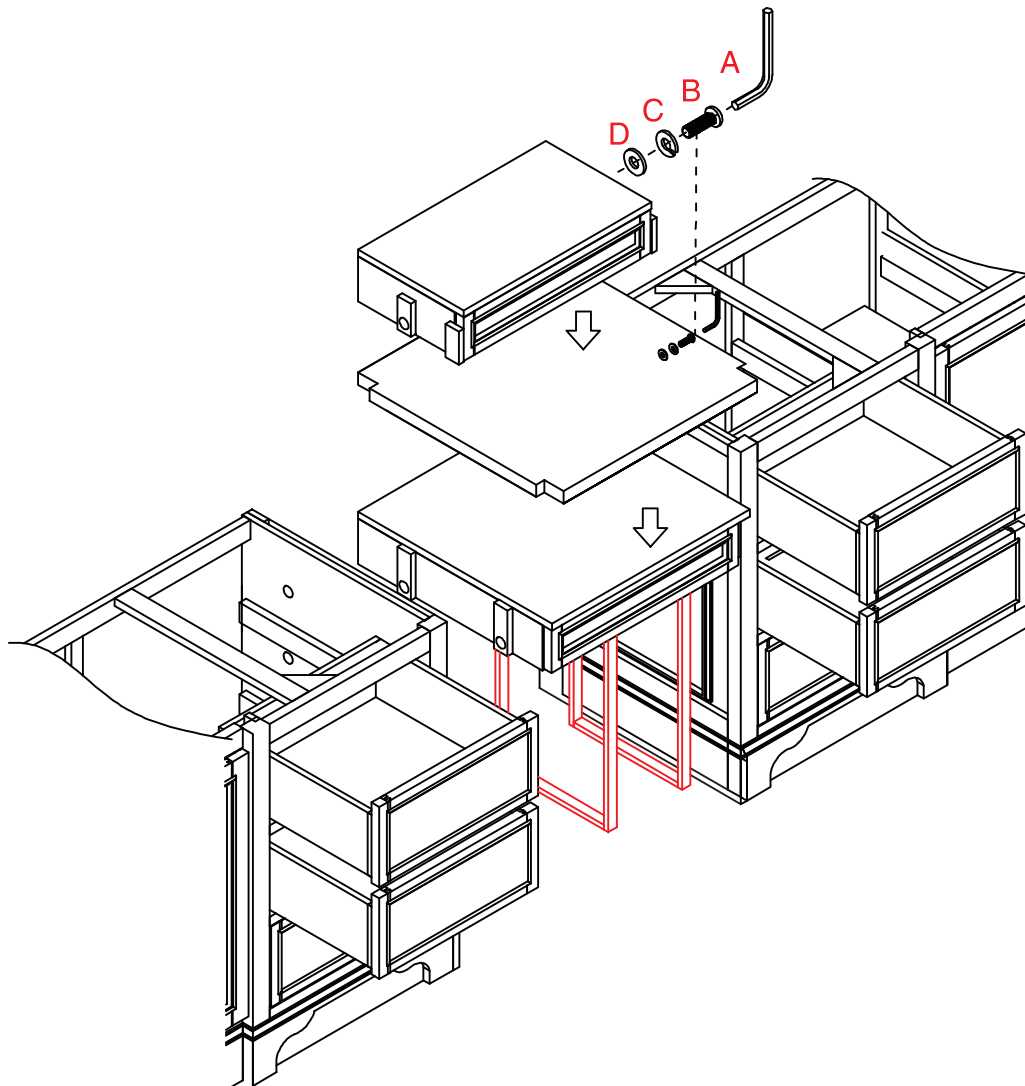
Step 5a: Place the two Rectangular Wood Frames (E) against the sides of the vanity cabinets to support the makeup counter during assembly. Insert the bolt through the Flat Washer (D) and the Spring Washer (C) through the vanity cabinet and into the pre-drilled holes on the sides of the lower makeup counter. (Refer to diagram left). The Allen Wrench needed to tighten the bolts is included in the specially marked hardware bag.

NOTE! Only attach one side of the makeup counter at this time. The countertop can not be attached if the makeup drawer is tightly attached on both sides.





De Soto Optional Makeup Counter 825-DU22 Assembly Instructions.
Same Instructions for use with: 825-V30 / 825-V36 / 825-V48 / 825 -V60S



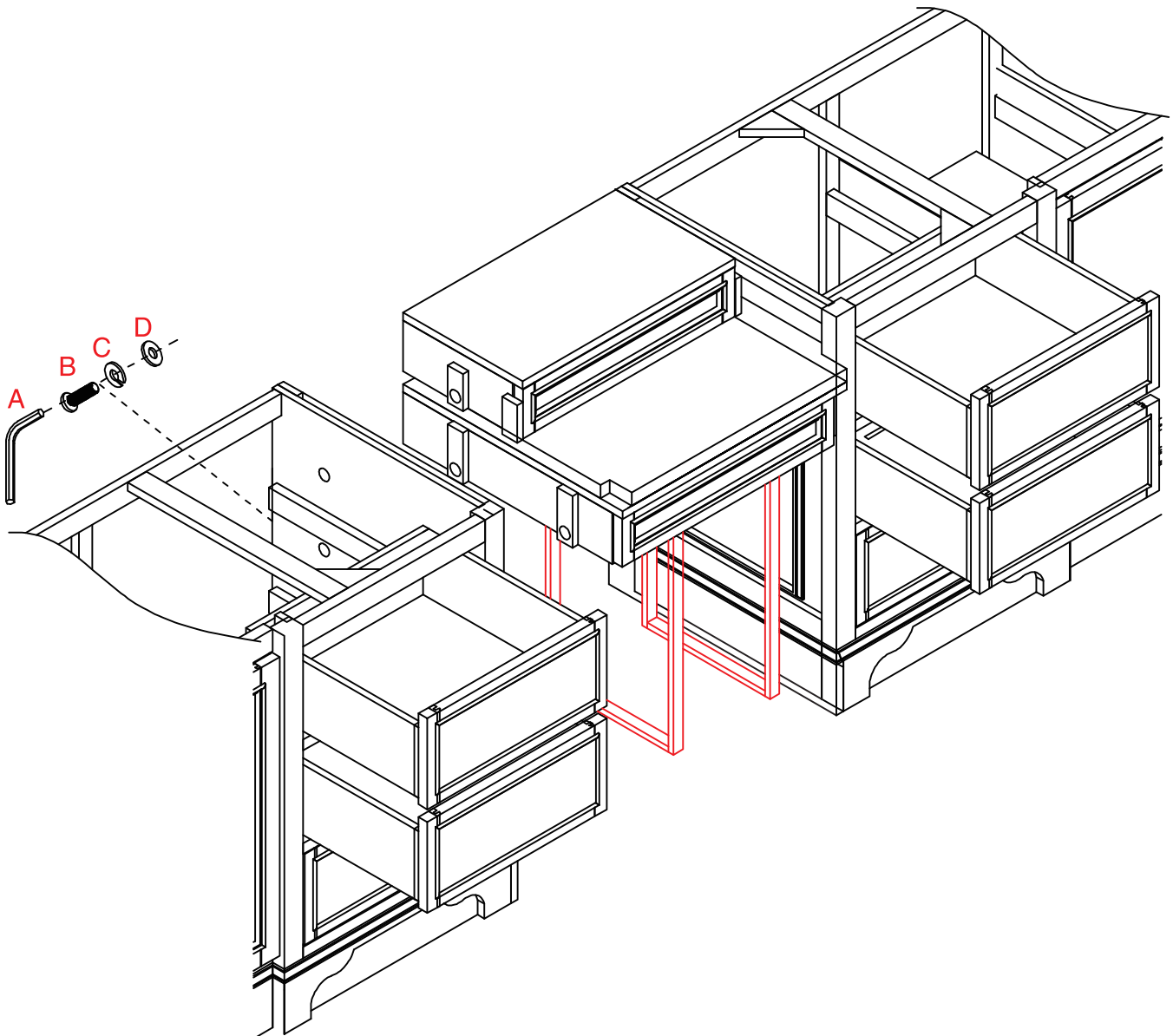
IMPORTANT: James Martin recommends a minimum of two people for the assembly of all 825 De Soto cabinets with makeup drawer. You will need a tape measure for this assembly.

Step 6a: After the lower Makeup Drawer has been attached securely to one of the vanity cabinets, then you may attach the countertop. Be sure to leave both Rectangular Wood Frames (E) in position while you attach the countertop.

Step 7a: After the countertop has been correctly positioned and applied to the top of the lower makeup drawer, then place the upper Makeup Drawer to countertop, insert the bolt through the Flat Washer (D) and the Spring Washer (C) through the vanity cabinet and into the pre-drilled holes on the sides of the upper makeup counter by Allen Wrench (A) . (Refer to diagram above).



De Soto Optional Makeup Counter 825-DU22 Assembly Instructions.
Same Instructions for use with: 825-V30 / 825-V36 / 825-V48 / 825 -V60S



Step 8a: Then you may place the second vanity cabinet directly against the unattached side of the makeup drawers.

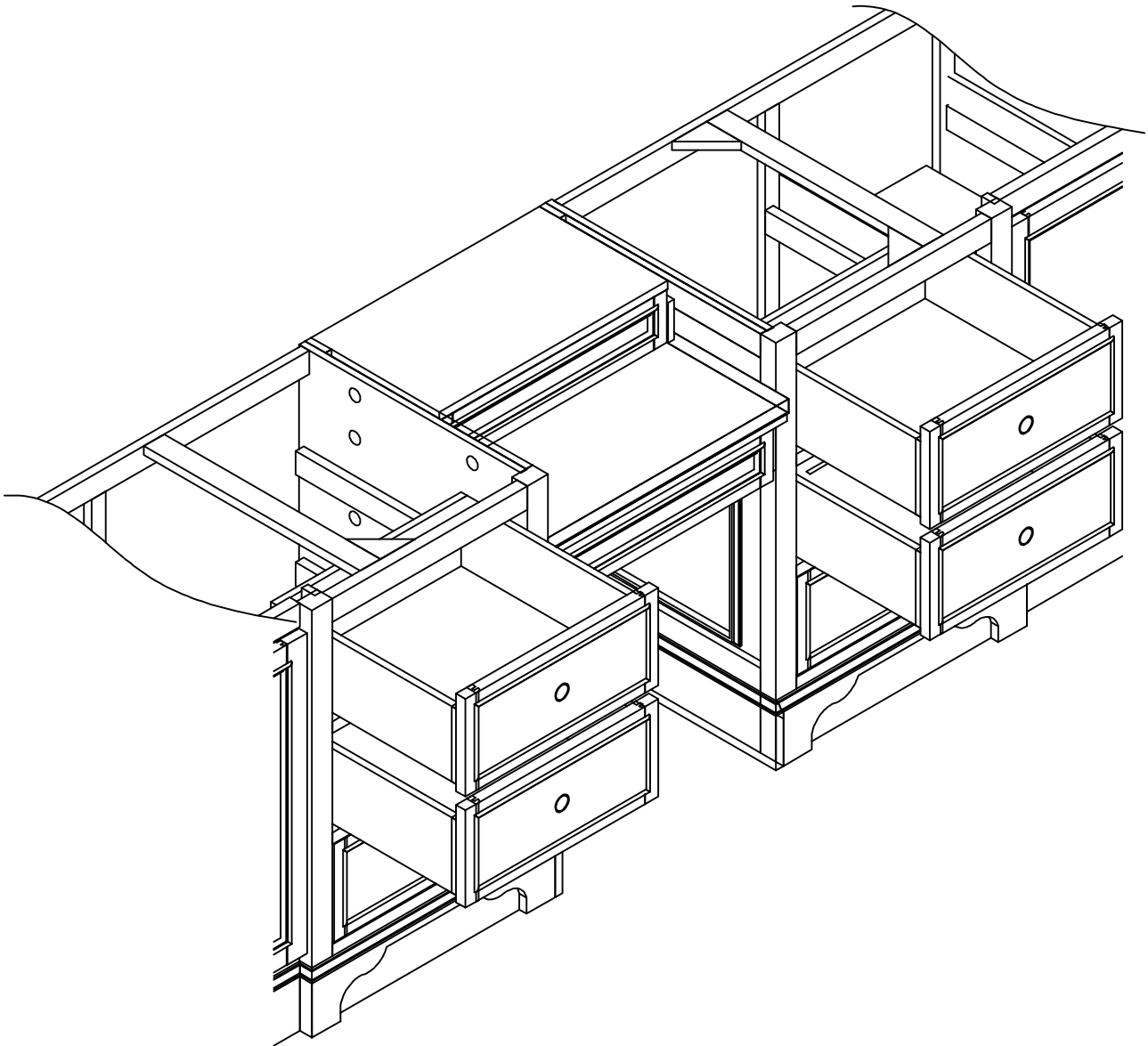
Step 9a: Insert the bolts through the Flat Washers (D) and the Spring Washers (C) through the vanity cabinet and into the pre-drilled holes on the sides of the makeup counters.

Step 10a: Tighten the bolts using the included Allen Wrench.

Step 11a: Remove the two wood frames.



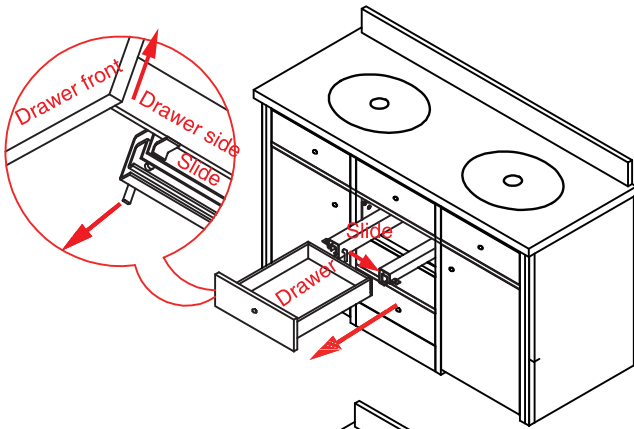
De Soto Optional Makeup Counter 825-DU22 Assembly Instructions.
Same Instructions for use with: 825-V30 / 825-V36 / 825-V48 / 825 -V60S



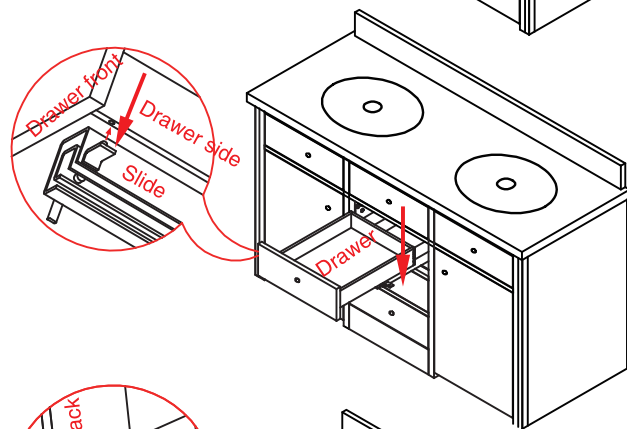
Visit our website for a video showing the makeup counter installation.
www.jamesmartinvanities.com
Knowledge Base / Solutions / Installation and Assembly



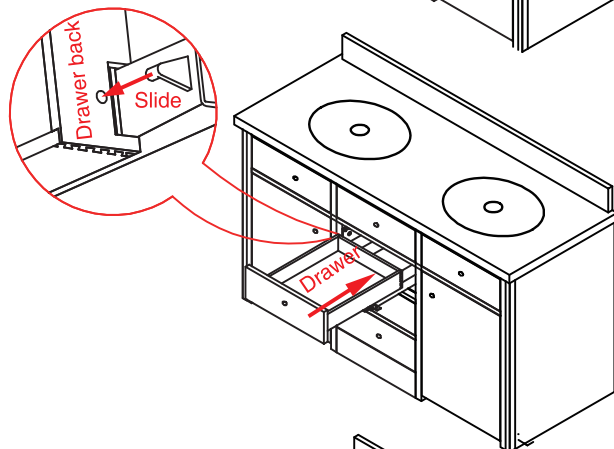
Drawer assembly and removal (with peg)



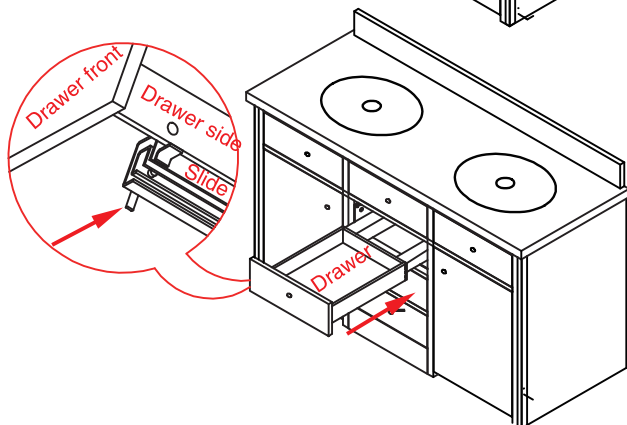
1. For removal, pull out the locking pin from the drawer side. Lift the drawer and pull it out from the cabinet.



2. For the assembly of drawer, pull out the drawer member of the slide from the cabinet, lay the drawer onto the slide.



3. Align drawer back board hole and slide the hook of slide end, push the hook will slide into the hole.



4. Press the locking pin into the drawer side hole to lock the position of the drawer.

Visit our website for a video showing drawer removal and installation.
www.jamesmartinvanities.com
 Knowledge Base / Solutions / Installation and Assembly